

cDAQ™ -9185/9189

User Manual

4-Slot and 8-Slot, TSN-Enabled Ethernet CompactDAQ Chassis

Worldwide Technical Support and Product Information

ni.com

Worldwide Offices

Visit ni.com/niglobal to access the branch office websites, which provide up-to-date contact information, support phone numbers, email addresses, and current events.

National Instruments Corporate Headquarters

11500 North Mopac Expressway Austin, Texas 78759-3504 USA Tel: 512 683 0100

For further support information, refer to the *NI Services* appendix. To comment on NI documentation, refer to the NI website at ni.com/info and enter the Info Code `feedback`.

© 2017–2019 National Instruments. All rights reserved.

Legal Information

Limited Warranty

This document is provided 'as is' and is subject to being changed, without notice, in future editions. For the latest version, refer to ni.com/manuals. NI reviews this document carefully for technical accuracy; however, NI MAKES NO EXPRESS OR IMPLIED WARRANTIES AS TO THE ACCURACY OF THE INFORMATION CONTAINED HEREIN AND SHALL NOT BE LIABLE FOR ANY ERRORS.

NI warrants that its hardware products will be free of defects in materials and workmanship that cause the product to fail to substantially conform to the applicable NI published specifications for one (1) year from the date of invoice.

For a period of ninety (90) days from the date of invoice, NI warrants that (i) its software products will perform substantially in accordance with the applicable documentation provided with the software and (ii) the software media will be free from defects in materials and workmanship.

If NI receives notice of a defect or non-conformance during the applicable warranty period, NI will, in its discretion: (i) repair or replace the affected product, or (ii) refund the fees paid for the affected product. Repaired or replaced Hardware will be warranted for the remainder of the original warranty period or ninety (90) days, whichever is longer. If NI elects to repair or replace the product, NI may use new or refurbished parts or products that are equivalent to new in performance and reliability and are at least functionally equivalent to the original part or product.

You must obtain an RMA number from NI before returning any product to NI. NI reserves the right to charge a fee for examining and testing Hardware not covered by the Limited Warranty.

This Limited Warranty does not apply if the defect of the product resulted from improper or inadequate maintenance, installation, repair, or calibration (performed by a party other than NI); unauthorized modification; improper environment; use of an improper hardware or software key; improper use or operation outside of the specification for the product; improper voltages; accident, abuse, or neglect; or a hazard such as lightning, flood, or other act of nature.

THE REMEDIES SET FORTH ABOVE ARE EXCLUSIVE AND THE CUSTOMER'S SOLE REMEDIES, AND SHALL APPLY EVEN IF SUCH REMEDIES FAIL OF THEIR ESSENTIAL PURPOSE.

EXCEPT AS EXPRESSLY SET FORTH HEREIN, PRODUCTS ARE PROVIDED "AS IS" WITHOUT WARRANTY OF ANY KIND AND NI DISCLAIMS ALL WARRANTIES, EXPRESSED OR IMPLIED, WITH RESPECT TO THE PRODUCTS, INCLUDING ANY IMPLIED WARRANTIES OF MERCHANTABILITY, FITNESS FOR A PARTICULAR PURPOSE, TITLE OR NON-INFRINGEMENT, AND ANY WARRANTIES THAT MAY ARISE FROM USAGE OF TRADE OR COURSE OF DEALING. NI DOES NOT WARRANT, GUARANTEE, OR MAKE ANY REPRESENTATIONS REGARDING THE USE OF OR THE RESULTS OF THE USE OF THE PRODUCTS IN TERMS OF CORRECTNESS, ACCURACY, RELIABILITY, OR OTHERWISE. NI DOES NOT WARRANT THAT THE OPERATION OF THE PRODUCTS WILL BE UNINTERRUPTED OR ERROR FREE.

In the event that you and NI have a separate signed written agreement with warranty terms covering the products, then the warranty terms in the separate agreement shall control.

Copyright

Under the copyright laws, this publication may not be reproduced or transmitted in any form, electronic or mechanical, including photocopying, recording, storing in an information retrieval system, or translating, in whole or in part, without the prior written consent of National Instruments Corporation.

National Instruments respects the intellectual property of others, and we ask our users to do the same. NI software is protected by copyright and other intellectual property laws. Where NI software may be used to reproduce software or other materials belonging to others, you may use NI software only to reproduce materials that you may reproduce in accordance with the terms of any applicable license or other legal restriction.

End-User License Agreements and Third-Party Legal Notices

You can find end-user license agreements (EULAs) and third-party legal notices in the following locations:

- Notices are located in the <National Instruments>_Legal Information and <National Instruments> directories.
- EULAs are located in the <National Instruments>\Shared\MDF\Legal\license directory.
- Review <National Instruments>_Legal Information.txt for information on including legal information in installers built with NI products.

U.S. Government Restricted Rights

If you are an agency, department, or other entity of the United States Government ("Government"), the use, duplication, reproduction, release, modification, disclosure or transfer of the technical data included in this manual is governed by the Restricted Rights provisions under Federal Acquisition Regulation 52.227-14 for civilian agencies and Defense Federal Acquisition Regulation Supplement Section 252.227-7014 and 252.227-7015 for military agencies.

Trademarks

Refer to the *NI Trademarks and Logo Guidelines* at ni.com/trademarks for more information on NI trademarks.

ARM, Keil, and μ Vision are trademarks or registered of ARM Ltd or its subsidiaries.

LEGO, the LEGO logo, WEDO, and MINDSTORMS are trademarks of the LEGO Group.

TETRIX by Pitsco is a trademark of Pitsco, Inc.

FIELDBUS FOUNDATION™ and FOUNDATION™ are trademarks of the Fieldbus Foundation.

EtherCAT® is a registered trademark of and licensed by Beckhoff Automation GmbH.

CANopen® is a registered Community Trademark of CAN in Automation e.V.

DeviceNet™ and EtherNet/IP™ are trademarks of ODVA.

Go!, SensorDAQ, and Vernier are registered trademarks of Vernier Software & Technology. Vernier Software & Technology and vernier.com are trademarks or trade dress.

Xilinx is the registered trademark of Xilinx, Inc.

Taptite and Trilobular are registered trademarks of Research Engineering & Manufacturing Inc.

FireWire® is the registered trademark of Apple Inc.

Linux® is the registered trademark of Linus Torvalds in the U.S. and other countries.

Handle Graphics®, MATLAB®, Simulink®, Stateflow®, and xPC TargetBox® are registered trademarks, and Simulink Coder™, TargetBox™, and Target Language Compiler™ are trademarks of The MathWorks, Inc.

Tektronix®, Tek, and Tektronix, Enabling Technology are registered trademarks of Tektronix, Inc.

The Bluetooth® word mark is a registered trademark owned by the Bluetooth SIG, Inc.

The ExpressCard™ word mark and logos are owned by PCMCIA and any use of such marks by National Instruments is under license.

The mark LabWindows is used under a license from Microsoft Corporation. Windows is a registered trademark of Microsoft Corporation in the United States and other countries.

Other product and company names mentioned herein are trademarks or trade names of their respective companies.

Members of the National Instruments Alliance Partner Program are business entities independent from NI and have no agency, partnership, or joint-venture relationship with NI.

Patents

For patents covering NI products/technology, refer to the appropriate location: **Help»Patents** in your software, the `patents.txt` file on your media, or the *National Instruments Patent Notice* at ni.com/patents.

Export Compliance Information

Refer to the *Export Compliance Information* at ni.com/legal/export-compliance for the NI global trade compliance policy and how to obtain relevant HTS codes, ECCNs, and other import/export data.

WARNING REGARDING USE OF NATIONAL INSTRUMENTS PRODUCTS

YOU ARE ULTIMATELY RESPONSIBLE FOR VERIFYING AND VALIDATING THE SUITABILITY AND RELIABILITY OF THE PRODUCTS WHENEVER THE PRODUCTS ARE INCORPORATED IN YOUR SYSTEM OR APPLICATION, INCLUDING THE APPROPRIATE DESIGN, PROCESS, AND SAFETY LEVEL OF SUCH SYSTEM OR APPLICATION.

PRODUCTS ARE NOT DESIGNED, MANUFACTURED, OR TESTED FOR USE IN LIFE OR SAFETY CRITICAL SYSTEMS, HAZARDOUS ENVIRONMENTS OR ANY OTHER ENVIRONMENTS REQUIRING FAIL-SAFE PERFORMANCE, INCLUDING IN THE OPERATION OF NUCLEAR FACILITIES; AIRCRAFT NAVIGATION; AIR TRAFFIC CONTROL SYSTEMS; LIFE SAVING OR LIFE SUSTAINING SYSTEMS OR SUCH OTHER MEDICAL DEVICES; OR ANY OTHER APPLICATION IN WHICH THE FAILURE OF THE PRODUCT OR SERVICE COULD LEAD TO DEATH, PERSONAL INJURY, SEVERE PROPERTY DAMAGE OR ENVIRONMENTAL HARM (COLLECTIVELY, "HIGH-RISK USES"). FURTHER, PRUDENT STEPS MUST BE TAKEN TO PROTECT AGAINST FAILURES, INCLUDING PROVIDING BACK-UP AND SHUT-DOWN MECHANISMS. NI EXPRESSLY DISCLAIMS ANY EXPRESS OR IMPLIED WARRANTY OF FITNESS OF THE PRODUCTS OR SERVICES FOR HIGH-RISK USES.

Contents

Chapter 1

Getting Started with the cDAQ Chassis

Safety Guidelines.....	1-2
Electromagnetic Compatibility Guidelines	1-2
Special Conditions for Marine Applications	1-3
Unpacking.....	1-3
Hardware Symbol Definitions	1-4
System Health Monitoring and User Watchdog.....	1-4
Kit Contents.....	1-5
What You Need to Get Started.....	1-5
Installing the cDAQ Chassis.....	1-6
Wiring External Power to the cDAQ Chassis	1-12
Connecting to a Real-Time Controller	1-13
Troubleshooting Chassis Connectivity.....	1-17
Reserving the Chassis in MAX	1-17
Mounting the cDAQ-9185/9189.....	1-18
Mounting Requirements	1-19
Mounting the cDAQ Chassis Directly on a Flat Surface.....	1-21
Mounting the cDAQ Chassis on a Panel with a Panel Mounting Kit.....	1-22
Alternate Mounting Configurations.....	1-23
Mounting the cDAQ Chassis on a DIN Rail	1-23
Mounting the Chassis on a Rack	1-25
Mounting the cDAQ Chassis on a Desktop.....	1-25
Dimensions	1-26
cDAQ Chassis Features	1-29
LEDs.....	1-29
Ethernet Ports	1-29
Ethernet LEDs	1-30
Ethernet Cabling.....	1-30
Reset Button	1-31
Power Connector	1-32
PFI 0 SMB Connector	1-32
Internal Ethernet Switch	1-32
Chassis Grounding Screw.....	1-32
Time-Based Features	1-33
Watchdog Timer.....	1-34
Firmware.....	1-34
Cables and Accessories	1-35
Removing Modules from the cDAQ Chassis	1-35
Maintenance.....	1-35
Using the cDAQ Chassis	1-36
C Series Module	1-36
cDAQ Module Interface.....	1-37

STC3	1-37
Ethernet Network Interface	1-38
Internal Ethernet Switch and Ethernet Ports	1-38

Chapter 2 Networking

Internal Ethernet Switch	2-1
IEEE 802.1AS-2011 Precision Time Protocol	2-1
IEEE 802.1Q Rapid Spanning Tree Protocol (RSTP)	2-1
IEEE 1588-2008 Protocol	2-2
Chassis MAC Addresses	2-2
Topology Options	2-3
Line Topology	2-3
Ring Topology	2-4
Star Topology	2-4
Other Topologies	2-5
External Switch Requirements	2-6

Chapter 3 Analog Input

Analog Input Triggering Signals	3-1
Analog Input Timing Signals	3-1
AI Sample Clock Signal	3-2
Routing the Sample Clock to an Output Terminal	3-2
AI Sample Clock Timebase Signal	3-2
AI Convert Clock Signal Behavior For Analog Input Modules	3-3
Scanned Modules	3-3
Simultaneous Sample-and-Hold Modules	3-3
Delta-Sigma Modules	3-3
Slow Sample Rate Modules	3-4
AI Start Trigger Signal	3-5
Using a Digital Source	3-5
Using an Analog Source	3-5
Using a Time Source	3-5
Routing AI Start Trigger to an Output Terminal	3-5
AI Reference Trigger Signal	3-6
Using a Digital Source	3-6
Using an Analog Source	3-7
Routing the Reference Trigger Signal to an Output Terminal	3-7
AI Pause Trigger Signal	3-7
Using a Digital Source	3-7
Using an Analog Source	3-7
Analog Input Sync Pulse	3-8
Getting Started with AI Applications in Software	3-8

Chapter 4

Analog Output

Analog Output Data Generation Methods	4-1
Software-Timed Generations	4-1
Hardware-Timed Generations	4-2
Buffered Analog Output	4-2
Analog Output Triggering Signals	4-3
Analog Output Timing Signals	4-3
AO Sample Clock Signal	4-4
Routing AO Sample Clock to an Output Terminal	4-4
AO Sample Clock Timebase Signal	4-4
Delta-Sigma Modules	4-4
AO Start Trigger Signal	4-5
Using a Digital Source	4-5
Using an Analog Source	4-5
Using a Time Source	4-5
Routing AO Start Trigger Signal to an Output Terminal	4-5
AO Pause Trigger Signal	4-6
Using a Digital Source	4-6
Using an Analog Source	4-7
Analog Output Sync Pulse	4-7
Minimizing Glitches on the Output Signal	4-7
Using the Watchdog Timer	4-8
Getting Started with AO Applications in Software	4-8

Chapter 5

Digital Input/Output and PFI

Digital Input/Output	5-1
Serial DIO versus Parallel DIO Modules	5-1
Static DIO	5-2
Digital Input	5-2
Digital Input Triggering Signals	5-2
Digital Input Timing Signals	5-2
Digital Input Filters	5-7
Getting Started with DI Applications in Software	5-7
Change Detection Event	5-8
Routing Change Detection Event to an Output Terminal	5-8
Change Detection Acquisition	5-8
Digital Output	5-8
Digital Output Data Generation Methods	5-9
Digital Output Triggering Signals	5-10
Digital Output Timing Signals	5-10

Using the Watchdog Timer.....	5-14
Getting Started with DO Applications in Software	5-14
Digital Input/Output Configuration for NI 9401	5-14
PFI.....	5-14
PFI Filters	5-14

Chapter 6

Counters

Counter Timing Engine	6-2
Counter Triggering	6-3
Counter Input Applications.....	6-3
Counting Edges.....	6-4
Single Point (On-Demand) Edge Counting	6-4
Buffered (Sample Clock) Edge Counting.....	6-5
Controlling the Direction of Counting.....	6-5
Pulse-Width Measurement.....	6-6
Single Pulse-Width Measurement	6-6
Implicit Buffered Pulse-Width Measurement.....	6-7
Sample Clocked Buffered Pulse-Width Measurement	6-7
Pulse Measurement	6-8
Single Pulse Measurement.....	6-8
Implicit Buffered Pulse Measurement	6-8
Sample Clocked Buffered Pulse Measurement	6-9
Semi-Period Measurement.....	6-10
Single Semi-Period Measurement	6-10
Implicit Buffered Semi-Period Measurement.....	6-10
Pulse versus Semi-Period Measurements	6-11
Frequency Measurement.....	6-11
Low Frequency with One Counter.....	6-11
High Frequency with Two Counters.....	6-12
Large Range of Frequencies with Two Counters	6-13
Sample Clocked Buffered Frequency Measurement	6-14
Choosing a Method for Measuring Frequency	6-15
Which Method Is Best?.....	6-17
Period Measurement	6-19
Position Measurement.....	6-19
Measurements Using Quadrature Encoders.....	6-20
Channel Z Behavior	6-20
Measurements Using Two Pulse Encoders.....	6-21
Buffered (Sample Clock) Position Measurement	6-21
Two-Signal Edge-Separation Measurement	6-22
Single Two-Signal Edge-Separation Measurement.....	6-23
Implicit Buffered Two-Signal Edge-Separation Measurement	6-23
Sample Clocked Buffered Two-Signal Separation Measurement	6-23

Counter Output Applications	6-24
Simple Pulse Generation	6-24
Single Pulse Generation	6-25
Single Pulse Generation with Start Trigger	6-25
Pulse Train Generation	6-26
Finite Pulse Train Generation	6-26
Retriggerable Pulse or Pulse Train Generation	6-26
Continuous Pulse Train Generation	6-27
Buffered Pulse Train Generation	6-28
Finite Implicit Buffered Pulse Train Generation	6-29
Continuous Buffered Implicit Pulse Train Generation	6-29
Finite Buffered Sample Clocked Pulse Train Generation	6-29
Continuous Buffered Sample Clocked Pulse Train Generation	6-31
Frequency Generation	6-31
Using the Frequency Generator	6-31
Frequency Division	6-32
Using the Watchdog Timer	6-32
Pulse Generation for ETS	6-32
Counter Timing Signals	6-33
Counter <i>n</i> Source Signal	6-33
Routing a Signal to Counter <i>n</i> Source	6-34
Routing Counter <i>n</i> Source to an Output Terminal	6-34
Counter <i>n</i> Gate Signal	6-34
Routing a Signal to Counter <i>n</i> Gate	6-35
Routing Counter <i>n</i> Gate to an Output Terminal	6-35
Counter <i>n</i> Aux Signal	6-35
Routing a Signal to Counter <i>n</i> Aux	6-35
Counter <i>n</i> A, Counter <i>n</i> B, and Counter <i>n</i> Z Signals	6-36
Routing Signals to A, B, and Z Counter Inputs	6-36
Routing Counter <i>n</i> Z Signal to an Output Terminal	6-36
Counter <i>n</i> Up_Down Signal	6-36
Counter <i>n</i> HW Arm Signal	6-36
Routing Signals to Counter <i>n</i> HW Arm Input	6-36
Counter <i>n</i> Sample Clock Signal	6-37
Using an Internal Source	6-37
Using an External Source	6-37
Routing Counter <i>n</i> Sample Clock to an Output Terminal	6-37
Counter <i>n</i> Internal Output and Counter <i>n</i> TC Signals	6-38
Routing Counter <i>n</i> Internal Output to an Output Terminal	6-38
Frequency Output Signal	6-38
Routing Frequency Output to a Terminal	6-38
Default Counter/Timer Routing	6-38
Other Counter Features	6-38
Cascading Counters	6-38
Prescaling	6-39

Contents

Synchronization Modes 6-39
 80 MHz Source Mode..... 6-40
 External or Internal Source Less than 20 MHz..... 6-40

Chapter 7

Digital Routing, Clock Generation, and Synchronization

Digital Routing 7-1
Clock Routing 7-2
 80 MHz Timebase..... 7-2
 20 MHz and 100 kHz Timebases..... 7-2
 13.1072 MHz, 12.8 MHz, and 10 MHz Timebases 7-2
Synchronization across a Network 7-3
 More Information about Synchronization..... 7-3

Appendix A

Where to Go from Here

Appendix B

NI Services

Index

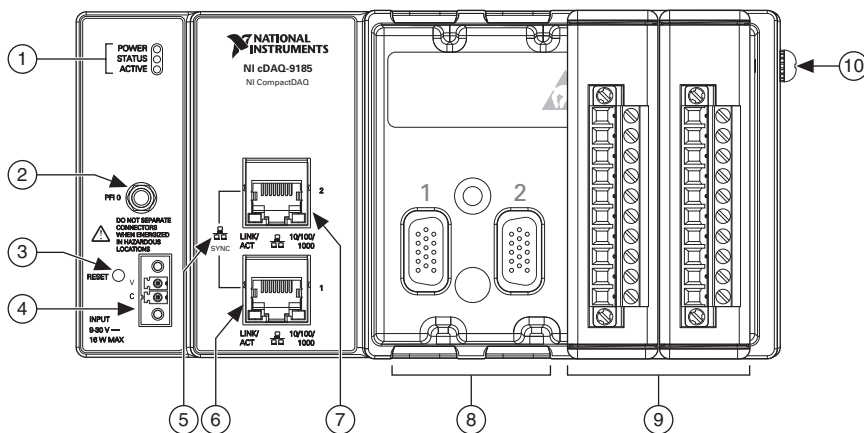
Getting Started with the cDAQ Chassis

This chapter provides a cDAQ chassis overview and lists information about mounting the chassis and installing C Series modules.

The National Instruments four-slot CompactDAQ cDAQ-9185 and eight-slot CompactDAQ cDAQ-9189 Ethernet chassis are designed for use with C Series modules. The cDAQ chassis are capable of measuring a broad range of analog and digital I/O signals and sensors. For module specifications, refer to the datasheet for your C Series module(s) on ni.com/manuals.

Figure 1-1 shows the cDAQ-9185 chassis.

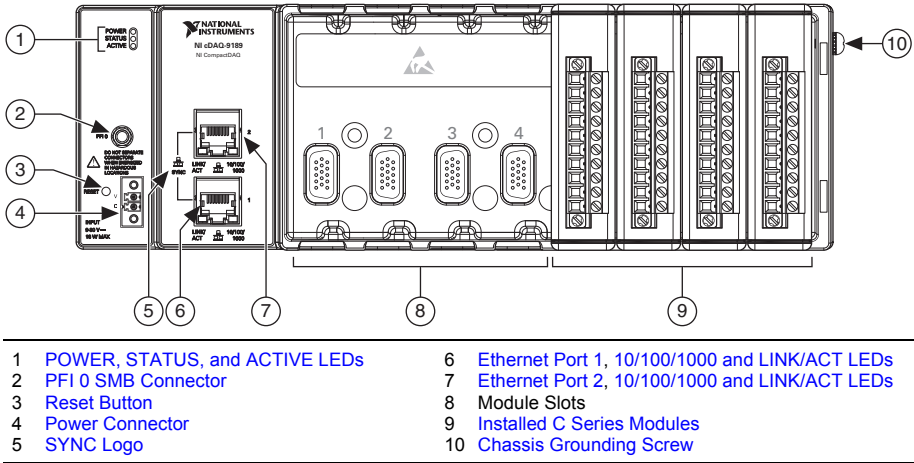
Figure 1-1. NI cDAQ-9185 Chassis



- | | | | |
|---|--------------------------------|----|--|
| 1 | POWER, STATUS, and ACTIVE LEDs | 6 | Ethernet Port 1, 10/100/1000 and LINK/ACT LEDs |
| 2 | PFI 0 SMB Connector | 7 | Ethernet Port 2, 10/100/1000 and LINK/ACT LEDs |
| 3 | Reset Button | 8 | Module Slots |
| 4 | Power Connector | 9 | Installed C Series Modules |
| 5 | SYNC Logo | 10 | Chassis Grounding Screw |

Figure 1-2 shows the cDAQ-9189 chassis.

Figure 1-2. NI cDAQ-9189 Chassis



Safety Guidelines



Caution Do *not* operate the NI cDAQ-9185/9189 in a manner not specified in this user manual. Product misuse can result in a hazard. You can compromise the safety protection built into the product if the product is damaged in any way. If the product is damaged, return it to National Instruments for repair.



Note Because some C Series modules may have more stringent certification standards than the NI cDAQ-9185/9189 chassis, the combined system may be limited by individual component restrictions. Refer to the specifications document for your cDAQ chassis for more details.



Hot Surface This icon denotes that the component may be hot. Touching this component may result in bodily injury.

Electromagnetic Compatibility Guidelines

This product was tested and complies with the regulatory requirements and limits for electromagnetic compatibility (EMC) stated in the product specifications. These requirements and limits provide reasonable protection against harmful interference when the product is operated in the intended operational electromagnetic environment.

This product is intended for use in industrial locations. However, harmful interference may occur in some installations, when the product is connected to a peripheral device or test object,

or if the product is used in residential or commercial areas. To minimize interference with radio and television reception and prevent unacceptable performance degradation, install and use this product in strict accordance with the instructions in the product documentation.

Furthermore, any modifications to the product not expressly approved by National Instruments could void your authority to operate it under your local regulatory rules.



Notice To ensure the specified EMC performance, product installation requires either special considerations or user-installed add-on devices.



Notice To ensure the specified EMC performance, operate this product only with shielded cables and accessories. Note that the input DC power cables may be unshielded.



Notice To ensure the specified EMC performance, do not connect the power connector to a DC MAINS supply or to any supply requiring a connecting cable longer than 3 m (10 ft). A DC MAINS supply is a local DC electricity supply network in the infrastructure of a site or building.



Notice To ensure the specified EMC performance, the length of any I/O cable connected to the PFI port must be no longer than 3 m (10 ft).

Special Conditions for Marine Applications

Some models are approved for marine (shipboard) applications. To verify marine approval certification for a model, visit ni.com/product-certifications, search by model number, and click the appropriate link.



Notice In order to meet the EMC requirements for marine applications, install the product in a shielded enclosure with shielded and/or filtered power and input/output ports. In addition, take precautions when designing, selecting, and installing measurement probes and cables to ensure that the desired EMC performance is attained.

Unpacking

The cDAQ chassis ships in an antistatic package to prevent electrostatic discharge (ESD). ESD can damage several components on the device.



Notice *Never* touch the exposed pins of connectors.

To avoid ESD damage in handling the chassis, take the following precautions:

- Ground yourself with a grounding strap or by touching a grounded object.
- Touch the antistatic package to a metal part of your computer chassis before removing the chassis from the package.

Remove the chassis from the package and inspect it for loose components or any other signs of damage. Notify NI if the device appears damaged in any way. Do *not* install a damaged chassis.

Store the chassis in the antistatic package when the chassis is not in use.

Hardware Symbol Definitions

The following symbols are marked on your cDAQ chassis.



Caution When this symbol is marked on a product, refer to the [Safety Guidelines](#) section for information about precautions to take.



ESD When this symbol is marked on a product, the product could be damaged if subjected to Electrostatic Discharge (ESD) on the connector pins of any I/O port. To prevent damage, industry-standard ESD prevention measures must be employed during installation, maintenance, and operation.



EU Customers At the end of the product life cycle, all products *must* be sent to a WEEE recycling center. For more information about WEEE recycling centers, National Instruments WEEE initiatives, and compliance with WEEE Directive 2002/96/EC on Waste and Electronic Equipment, visit ni.com/environment/weee.



中国客户 National Instruments 符合中国电子信息产品中限制使用某些有害物质指令 (RoHS)。关于 National Instruments 中国 RoHS 合规性信息, 请登录 ni.com/environment/rohs_china。(For information about China RoHS compliance, go to ni.com/environment/rohs_china.)

System Health Monitoring and User Watchdog

NI recommends the use of system health monitoring and a user watchdog to ensure potential problems are detected and resolved as soon as possible. The cDAQ-9185/9189 has hardware and software features your application can use to monitor system health and respond to events such as hardware faults, software failure, system crash, or any loss of communication. In addition, a user-programmable watchdog can be enabled to either notify your application, reset your application, or reset the chassis in the event an error occurs. For more information on how to configure your system to monitor system health and enable a user watchdog, visit ni.com/info and enter `systemhealth`.

Kit Contents

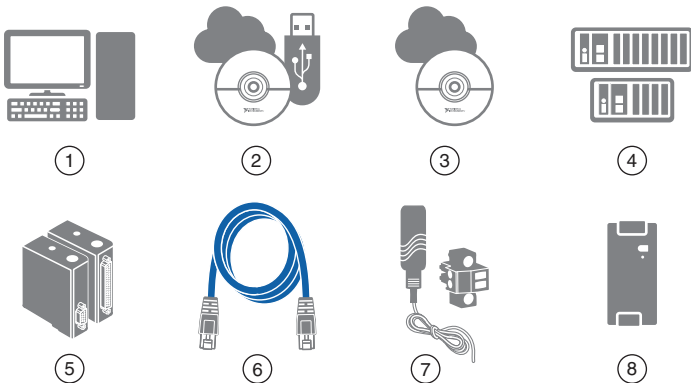
Items in your cDAQ chassis kit:

- cDAQ-9185 or cDAQ-9189
- *cDAQ-9185/9189 Quick Start*
- *cDAQ-9185 Safety, Environmental, and Regulatory Information* or *cDAQ-9189 Safety, Environmental, and Regulatory Information*
- Power connector
- Power supply
- NI-DAQmx driver software

What You Need to Get Started

You will need the following items to set up your cDAQ chassis.

Figure 1-3. Installation Supply List



- | | | | |
|---|---|---|---|
| 1 | Host Computer Running Windows | 5 | C Series Module(s) |
| 2 | Application Software, such as LabVIEW, if not already installed | 6 | Shielded Category 5 Ethernet Cable |
| 3 | NI-DAQmx Driver | 7 | Power Supply or Power Connector |
| 4 | cDAQ-9185/9189 Chassis | 8 | External Power Supply (if using the power connector instead of the included power supply) |



Note Check the NI-DAQmx driver and application software readme files for specific version compatibility with your host computer.



Note You can either use a shielded straight-through Category 5 Ethernet cable or an Ethernet crossover cable to connect the cDAQ chassis directly to your computer.



Note When operating the cDAQ chassis in hazardous locations, you must use the power connector with an external power supply rated for hazardous locations. The

power supply included in the cDAQ chassis kit is intended only for desktop use. For all other applications use the included 2-position power connector plug and a power supply rated for your application power requirements. Visit ni.com to find hazardous locations-certified power supplies.



Note When operating the cDAQ chassis in temperatures below 0 °C, you must use the PS-15 power supply or another power supply rated for below 0 °C.

Installing the cDAQ Chassis

The cDAQ chassis and C Series module(s) are packaged separately.

Refer to Figure 1-1 or 1-2 while completing the following assembly steps.

1. Install the application software (if applicable), as described in the installation instructions that accompany your software.
2. Install NI-DAQmx. Insert the software media. If the NI-DAQmx installer does not open automatically, select **Start»Run**. Enter `x:\autorun.exe`, where `x` is the drive letter. Complete the instructions.
3. Register your NI hardware online at ni.com/register when prompted.
4. The last dialog box opens with the following options.
 - **Restart Later** to install more NI software or documentation.
 - **Shut Down** or **Restart** if you are ready to install your device.
 - **Restart** if you are using a system running the LabVIEW Real-Time Module. Download NI-DAQmx to the target using MAX. Refer to the *MAX Remote Systems Help* by selecting **Help»Help Topics»Remote Systems** in MAX.
5. If you have problems installing your software, go to ni.com/support/daqmx.



Note Table 1-1 lists the earliest NI-DAQmx support version for each cDAQ Ethernet chassis.

Table 1-1. cDAQ Chassis NI-DAQmx Software Support

cDAQ Chassis	Earliest NI-DAQmx Version Support
cDAQ-9185	NI-DAQmx 17.1
cDAQ-9189	NI-DAQmx 17.1

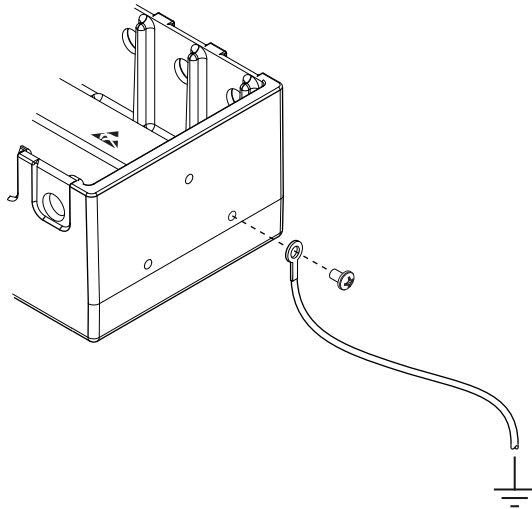
The NI-DAQmx software is included on the disk shipped with your kit and is available for download at ni.com/drivers. The documentation for NI-DAQmx is available after installation from **Start»All Programs»National Instruments»NI-DAQmx**. Other NI documentation is available from ni.com/manuals.

6. (Optional) Mount the cDAQ chassis to a panel, wall, or DIN rail, or attach the desktop mounting kit, as described in the [Mounting the cDAQ-9185/9189](#) section.
7. Attach a ring lug to a 1.31 mm² (16 AWG) or larger wire. Connect the ring lug to the chassis ground terminal on the cDAQ chassis using the chassis grounding screw as shown in Figure 1-4. Attach the other end of the wire to the grounding electrode system of your facility. Refer to the [Chassis Grounding Screw](#) section for more information about making this connection.



Note If you use shielded cabling to connect to a C Series module with a plastic connector, you must attach the cable shield to the chassis grounding terminal using 1.31 mm² (16 AWG) or larger wire. Use shorter wire for better EMC performance.

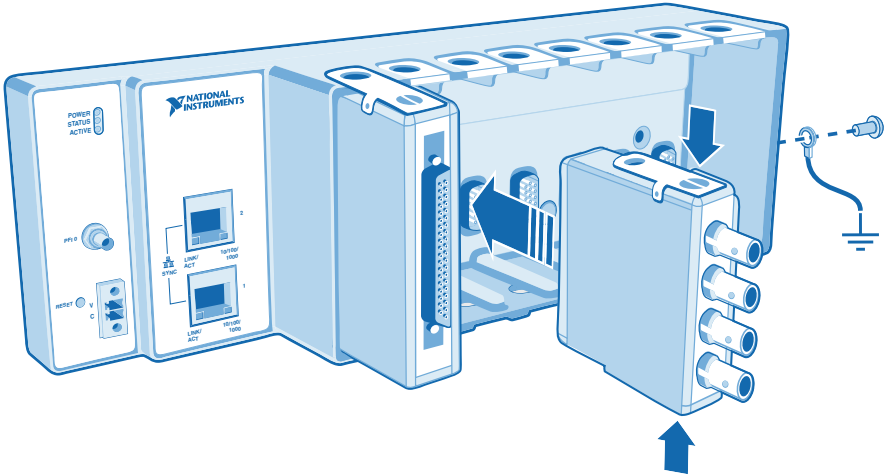
Figure 1-4. Ring Lug Attached to Chassis Ground Terminal



8. Make sure that no signals are connected to the C Series module.
9. Align the C Series module with the cDAQ chassis slot.

10. Squeeze both C Series module latches, insert the module into the module slot, and press until both latches lock the module in place.

Figure 1-5. Inserting the C Series Module(s)



11. Wire the C Series module as indicated in the C Series module documentation.

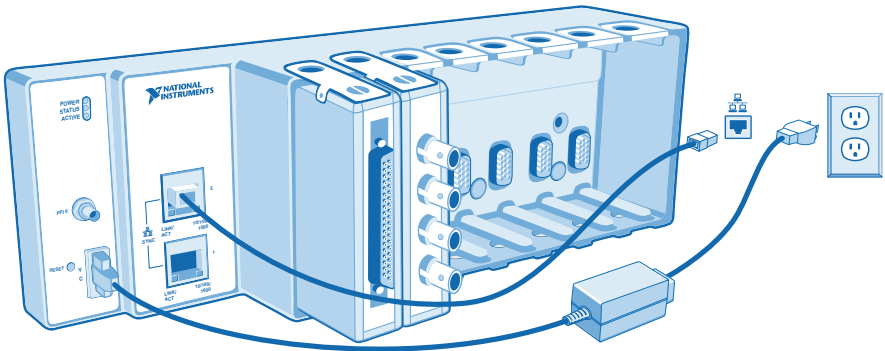


Note Connect I/O cable shields to the chassis grounding screw, shown in Figure 1-4, unless otherwise specified in the C Series module documentation. Refer to the [Chassis Grounding Screw](#) section for more information about making this connection.

12. Connect one end of the Ethernet cable to an Ethernet port on the chassis, and the other end directly to your computer or any network connection on the same subnet as your computer. Refer to the [Ethernet Cabling](#) section for information about the Ethernet cable.
13. Power the chassis using the included power supply or the included power connector with an external 9 V DC to 30 V DC power source. For information about wiring your external power source to the power connector, refer to the [Wiring External Power to the cDAQ Chassis](#) section. The cDAQ chassis requires an external power supply that meets the specifications listed in the specifications document for your cDAQ chassis.

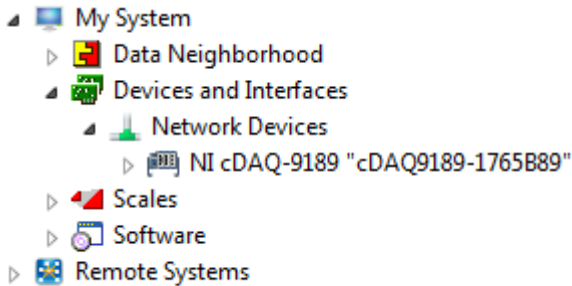


Note When operating the cDAQ-9185/9189 in hazardous locations, you must use the power connector with an external power supply rated for hazardous locations. The power supply included in the cDAQ-9185/9189 kit is intended only for desktop use. For all other applications use the included 2-position power connector plug and a power supply rated for your application power requirements. Visit ni.com to find hazardous locations-certified power supplies.

Figure 1-6. Connecting Ethernet and Power to the Chassis

The POWER and STATUS LEDs light. The POWER LED lights as long as power is being supplied to the cDAQ chassis. The STATUS LED turns off after firmware boots. Refer to the [LEDs](#) section for information about the LEDs on the cDAQ chassis.

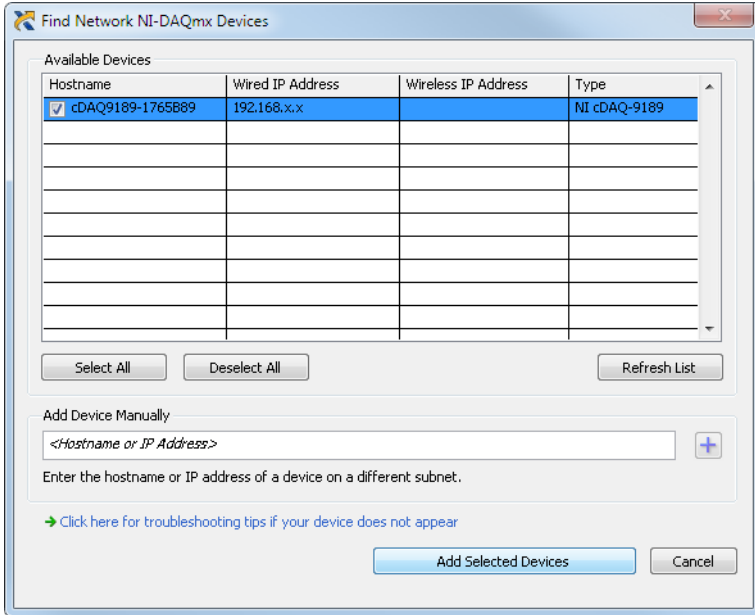
14. To add the chassis to your software configuration, open NI MAX on your Windows host computer. Expand **Devices and Interfaces»Network Devices**.

Figure 1-7. Network Devices in MAX

- If the chassis is on your local subnet, the chassis automatically appears in the list of available devices. Right-click the cDAQ chassis and select **Add Device**.
- If the chassis is not on your local subnet, right-click **Network Devices** and select **Find Network NI-DAQmx Devices**.

15. In the Find Network NI-DAQmx Devices dialog box that opens, do one of the following:
- Check the box that corresponds to your chassis in the Hostname column.

Figure 1-8. Find Network NI-DAQmx Devices

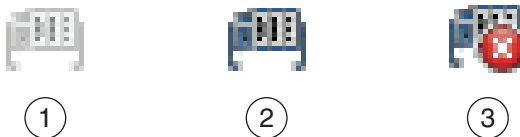


- If you know the chassis IP address, such as 192.168.0.2, enter it into the **Add Device Manually** field of the Find Network NI-DAQmx Devices window, and click the + button.
- Enter the hostname of the chassis. The default hostname is cDAQ918x-*serial number*, where the *x* represents the last digit of your cDAQ chassis model number.

16. Click **Add Selected Devices**.

The cDAQ chassis icon changes from white to blue/grey, indicating that it is recognized and present on the network.

Figure 1-9. MAX Icons and States



- | | |
|---|---|
| <p>1 Discovered, but Not Added to the Network</p> <p>2 Recognized, Present, and Reserved on the Network</p> | <p>3 Recognized, but Disconnected from the Network, Unreserved, or Reserved by Another Host</p> |
|---|---|

If your chassis does not appear in Available Devices, click **Refresh List**. If the chassis still does not appear, try the following:

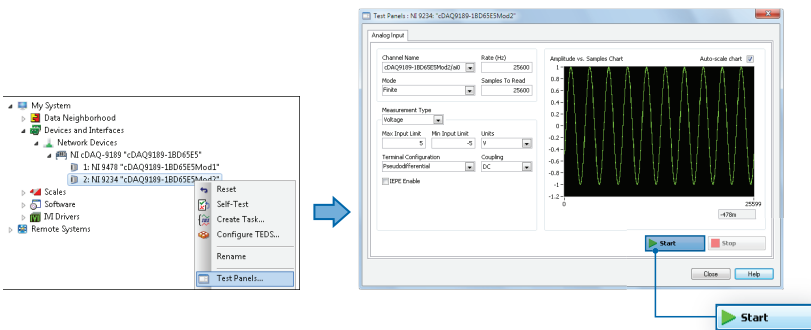
- If you connected the cDAQ chassis directly to your computer, ensure your network card is configured to obtain an IP address automatically, then click **Refresh List**.



Note If you connected the cDAQ chassis directly to your computer, the setup time may be longer. Wait 30 to 60 seconds after the STATUS LED turns off, then click **Refresh List**.

- Contact your system administrator to confirm that the network is working and that a firewall is not interfering with discovery. For additional troubleshooting resources for the cDAQ chassis, refer to the *Troubleshooting Chassis Connectivity* section of this manual and the *Finding a Network DAQ Device in MAX* topic in the *Measurement & Automation Explorer Help for NI-DAQmx*.
17. If the cDAQ chassis is not reserved automatically, select the chassis and click the **Reserve Chassis** button. Refer to the *Reserving the Chassis in MAX* section for more information.
 18. Self-test your chassis in MAX by expanding **Devices and Interfaces**, right-clicking **NI cDAQ-<model number>**, and selecting **Self-Test**. Self-test performs a brief test to determine successful chassis installation. When the self-test finishes, a message indicates successful verification or if an error occurred. If an error occurs, refer to ni.com/support/daqmx.
 19. Run a Test Panel in MAX by expanding **Devices and Interfaces**» **NI cDAQ-<model number>**, right-clicking your C Series module, and selecting **Test Panels** to open a test panel for the selected module. Click **Start** to verify measurement functionality.

Figure 1-10. Running a Test Panel



If the test panel displays an error message, refer to ni.com/support.

Click **Close** to exit the test panel.



Note When in use, the cDAQ chassis may become warm to the touch. This is normal.

For instructions on networking to a real-time controller, refer to the [Connecting to a Real-Time Controller](#) section.

Wiring External Power to the cDAQ Chassis



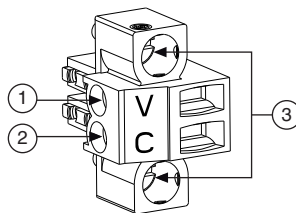
Notice To ensure the specified EMC performance, do *not* connect the power input to a DC mains supply or to any supply requiring a connecting cable longer than 3 m (10 ft). A DC mains supply is a local DC electricity supply network in the infrastructure of a site or building.

The cDAQ chassis requires an external power source as described in the *Power Requirements* section of the specifications document for your chassis. Some suggested NI power supplies are listed in Table 1-7. The cDAQ chassis filters and regulates the supplied power and provides power to all of the modules. The green POWER LED on the front panel identifies when the power input is in use.

Complete the following steps to connect a power source to the cDAQ chassis.

1. Make sure the power source is turned off.
2. If connected, loosen the connector screw flanges and remove the power screw terminal connector plug from the cDAQ chassis. Figure 1-11 shows the terminal screws, which secure the wires in the screw terminals, and the connector screw flanges, which secure the connector plug on the front panel.

Figure 1-11. Power Screw Terminal Connector Plug



- 1 V (Positive) Terminal Screw
- 2 C (Negative) Terminal Screw

- 3 Connector Screw Flanges



Caution Do *not* tighten or loosen the terminal screws on the power connector while the power is on.

3. Connect the positive lead of the power source to the V terminal of the power connector plug and tighten the terminal screw.

4. Connect the negative lead of the power source to the C terminal of the power screw terminal connector plug and tighten the terminal screw.
5. Install the power connector plug on the front panel of the cDAQ chassis and tighten the connector screw flanges.
6. Turn on the external power source.

If the power source is connected to the power connector using long wiring with high DC resistance, the voltage at the power connector may be significantly lower than the specified voltage of the power source.

Refer to the *Power Requirements* section of the specifications document for your chassis for information about the power supply input range. Refer to the *Safety Voltages* section of the specifications document for your chassis for information about the maximum voltage from terminal to chassis ground.

Connecting to a Real-Time Controller

You can use the cDAQ-9185/9189 chassis as expansion I/O from certain NI Linux Real-Time controllers. Discover and configure the NI Linux Real-Time controller in NI MAX, then discover and configure the cDAQ-9185/9189 chassis.

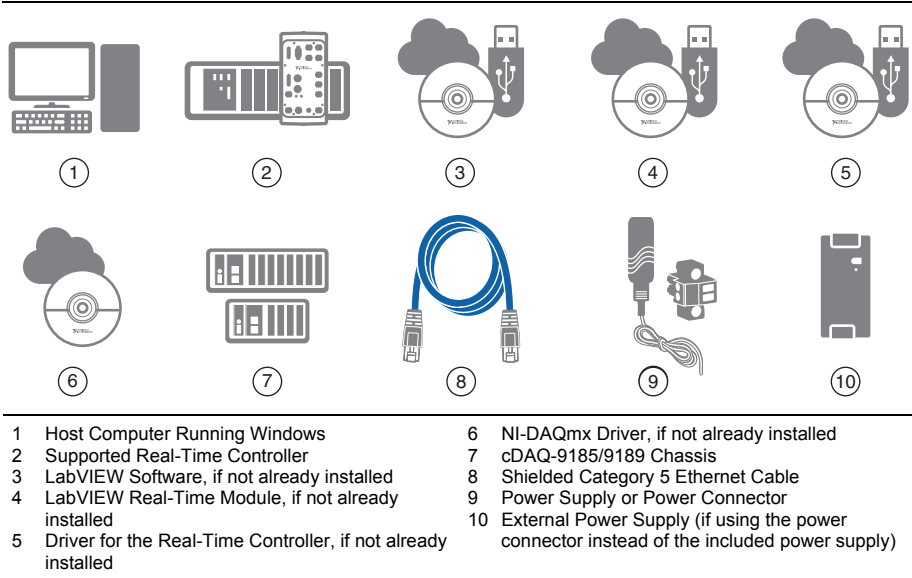


Note When using an NI Real-Time controller as the host, you can only use select controllers with the NI Linux Real-Time operating system that support NI-DAQmx. Supported NI Linux Real-Time controllers include the IC-317x, cRIO-9035/9039 Sync, cRIO-904x/905x, or cDAQ-9132/9133/9134/9135/9136/9137 for LabVIEW Real-Time.¹

¹ The cDAQ-9138/9139 for LabVIEW Real-Time controllers will not work in this configuration.

To network the cDAQ-9185/9189 to a real-time controller, you need the following items:

Figure 1-12. Installation Supply List



Note LabVIEW Real-Time 2017 or later required to use the cDAQ-9185/9189 synchronization features.

Complete the following steps.

1. Install the LabVIEW, LabVIEW Real-Time Module, and driver software on the host machine as instructed in the getting started or quick start document for the real-time controller.
2. Install NI-DAQmx on the host machine if the driver was not installed in step 1.
 - a. Insert the software media. If the NI-DAQmx installer does not open automatically, select **Start»Run**. Enter `x:\autorun.exe`, where `x` is the drive letter. Complete the instructions.
 - b. Register your NI hardware online at ni.com/register when prompted.
 - c. Download NI-DAQmx to the target using MAX. Refer to the *MAX Remote Systems Help* by selecting **Help»Help Topics»Remote Systems** in MAX.

If you have problems installing your software, go to ni.com/support/daqmx.



Note Table 1-2 lists the earliest NI-DAQmx support version for each cDAQ Ethernet chassis.

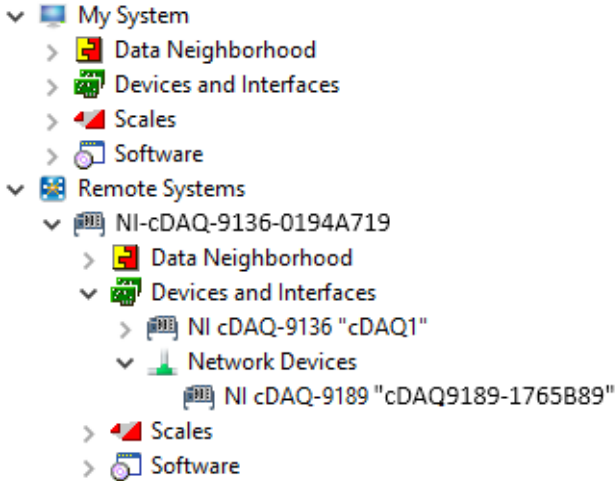
Table 1-2. cDAQ Chassis NI-DAQmx Software Support

cDAQ Chassis	Earliest NI-DAQmx Version Support
cDAQ-9185	NI-DAQmx 17.1
cDAQ-9189	NI-DAQmx 17.1

3. Set up your real-time controller hardware and install software to it as instructed in the getting started or quick start document for the real-time controller.
4. For cRIO and IC controllers, perform a custom installation of the NI-DAQmx feature to the controller. In MAX, expand **Remote Systems»Real-Time Controller** and use the **Add/Remove Software** option. Select the custom installation option and the NI-DAQmx feature, then follow the prompts to complete the installation.
5. Connect one end of the Ethernet cable to an Ethernet port on the chassis, and the other end to a switch or network connection on the same subnet as your real-time controller, or directly to an open network port on your real-time controller. For more information about the recommended configurations for networking the cDAQ chassis in a real-time system, refer to the [Topology Options](#) section of Chapter 2, [Networking](#).
6. Power the chassis using the included power supply or the included power connector with an external 9 V DC to 30 V DC power source.
7. To add the chassis to the software configuration on the real-time target, open NI MAX on the host computer. In the MAX configuration tree, expand **Remote Systems»Real-Time Controller»Devices and Interfaces»Network Devices**.
8. Click **Add Network Device**, and then **Find Network NI-DAQmx Devices**.
9. In the Find Network NI-DAQmx Devices dialog box that opens, do one of the following:
 - Check the box that corresponds to your chassis in the Hostname column.
 - If you know the chassis IP address—such as 192.168.0.2—enter it into the **Add Device Manually** field, and click the + button.
 - Enter the hostname of the chassis; the default hostname is cDAQ918x-*serial number*>, where the *x* represents the last digit of your cDAQ chassis model number.

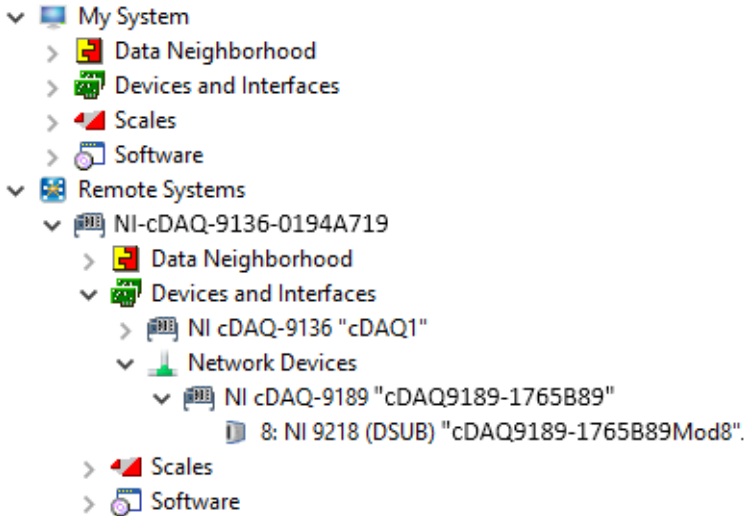
If your chassis does not appear in Available Devices, click **Refresh List**. If the chassis still does not appear, contact your system administrator to confirm that the network is working and that a firewall is not interfering with discovery. For additional troubleshooting resources for the cDAQ chassis, refer to the [Troubleshooting Chassis Connectivity](#) section of this manual and the [Finding a Network DAQ Device in MAX](#) topic in the *Measurement & Automation Explorer Help for NI-DAQmx*.
10. Click **Add Selected Devices**. The cDAQ chassis is added under the real-time controller in the MAX configuration tree.

Figure 1-13. Adding the cDAQ Chassis to the Real-Time Controller in MAX



11. If the cDAQ chassis is not reserved automatically, select the chassis and click the **Reserve Chassis** button. Refer to the [Reserving the Chassis in MAX](#) section for more information. After the chassis is reserved by the real-time controller, the modules in the chassis are visible in the MAX configuration tree.

Figure 1-14. Reserved cDAQ Chassis View in MAX



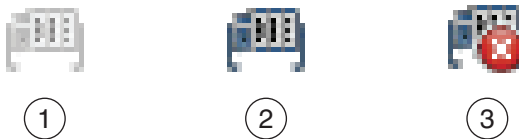
12. Self-test your chassis in MAX by expanding the real-time controller»**Devices and Interfaces**»**Network Devices**, right-clicking **NI cDAQ-<model number>**, and selecting **Self-Test**. Self-test performs a brief test to determine successful chassis installation. When the self-test finishes, a message indicates successful verification or if an error occurred. If an error occurs, refer to ni.com/support/daqmx.
13. Run a Test Panel in MAX by expanding the real-time controller»**Devices and Interfaces**»**Network Devices**»**NI cDAQ-<model number>**, right-clicking the C Series module, and selecting **Test Panels** to open a test panel for the selected module.
If the test panel displays an error message, refer to ni.com/support.
Click **Close** to exit the test panel.

Troubleshooting Chassis Connectivity

If your cDAQ chassis becomes disconnected from the network, try the following:

- After moving the chassis to a new network, NI-DAQmx may lose connection to the chassis. In this case, click **Reconnect** to provide NI-DAQmx with the new hostname or IP address.
- The cDAQ chassis icon indicates whether it is recognized and present on the network. If a connected chassis appears as disconnected in the configuration tree in MAX, select **Self-Test** or **Reset Chassis**. If successful, the chassis icon changes to blue/grey.

Figure 1-15. MAX Icons and States



- | | |
|---|---|
| <p>1 Discovered, but Not Added to the Network</p> <p>2 Recognized, Present, and Reserved on the Network</p> | <p>3 Recognized, but Disconnected from the Network, Unreserved, or Reserved by Another Host</p> |
|---|---|
-

For additional troubleshooting resources for the cDAQ chassis, refer to the *Finding a Network DAQ Device in MAX* topic in the *Measurement & Automation Explorer Help for NI-DAQmx*.

Reserving the Chassis in MAX

When the cDAQ chassis is connected to a network, multiple users can access the chassis. To perform any DAQ functionality on the C Series modules, including reset chassis and self-test, you must reserve the cDAQ chassis in MAX. Figure 1-15 depicts the chassis state icons in MAX: an unreserved chassis or chassis reserved by another host appear with an X and reserved chassis appear as blue/grey. Only one user at a time can reserve the cDAQ chassis.

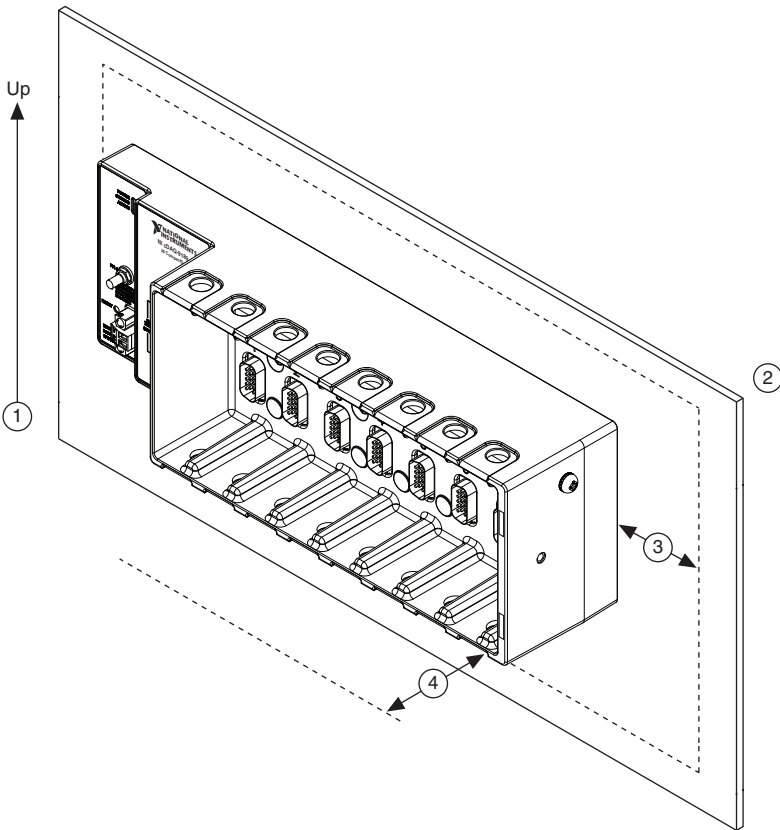
If the cDAQ chassis was not reserved automatically after it was added (**Add Device**), you can reserve the cDAQ chassis in MAX by expanding **Devices and Interfaces**»**Network Devices**, selecting the chassis, and clicking the **Reserve Chassis** button. The **Override Reservation**

dialog box appears when you attempt to explicitly reserve a chassis. Agreeing to override the reservation forces the cDAQ chassis to be reserved by the current user.

Mounting the cDAQ-9185/9189

To ensure proper functionality during use at the maximum ambient temperature of 70 °C, you must mount the cDAQ chassis in the reference mounting configuration shown in the following image. Mounting the cDAQ chassis in the reference mounting configuration ensures that your system will operate correctly across the full operating temperature range and provide optimal C Series module accuracy. Observe the following guidelines to mount the cDAQ chassis in the reference mounting configuration.

Figure 1-16. cDAQ Chassis Reference Mounting Configuration (cDAQ-9189 Shown)



- 1 Horizontal mounting orientation
- 2 Panel mounting

- 3 Observe the cooling dimensions in the [Mounting Requirements](#) section
- 4 Allow space for cabling clearance according to the [Mounting Requirements](#) section



Note Panel mounting substrate options:

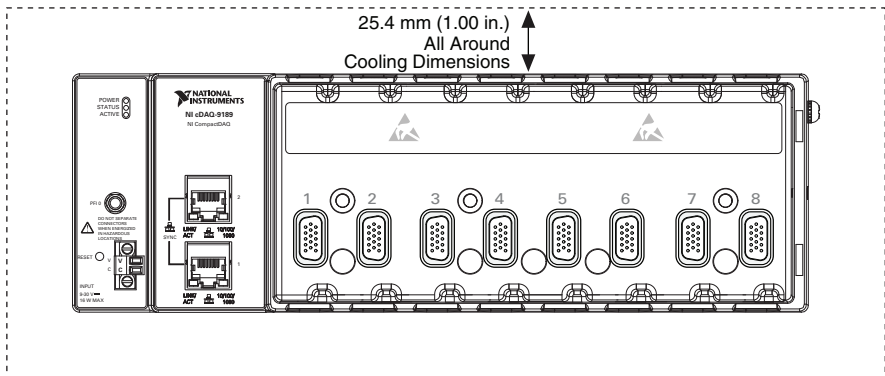
- Mount the cDAQ chassis directly to a metallic surface that is at least 1.6 mm (0.062 in.) thick and extends a minimum of 101.6 mm (4 in.) beyond all edges of the device.
- Use the NI 9904 or NI 9905 Panel Mounting Kit to mount the cDAQ chassis to a metallic surface that is at least 1.6 mm (0.062 in.) thick and extends a minimum of 101.6 mm (4 in.) beyond all edges of the device.

Before using any of these mounting methods, record the serial number from the back of the cDAQ chassis so that you can identify the cDAQ chassis in MAX. You will be unable to read the serial number after you mount the cDAQ chassis.

Mounting Requirements

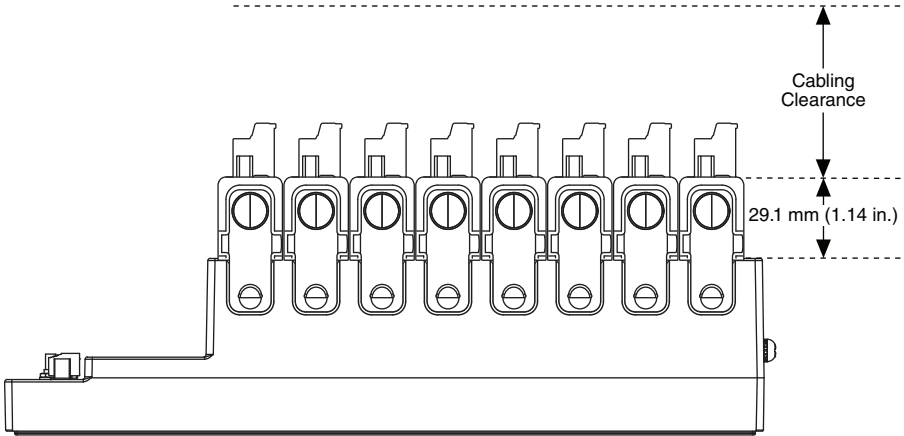
Your installation must meet the following requirements for cooling and cabling clearance. Allow 25.4 mm (1.00 in.) on all sides of the cDAQ chassis for air circulation, as shown in the following figure.

Figure 1-17. Figure 9. cDAQ Chassis Cooling Dimensions (cDAQ-9189 Shown)



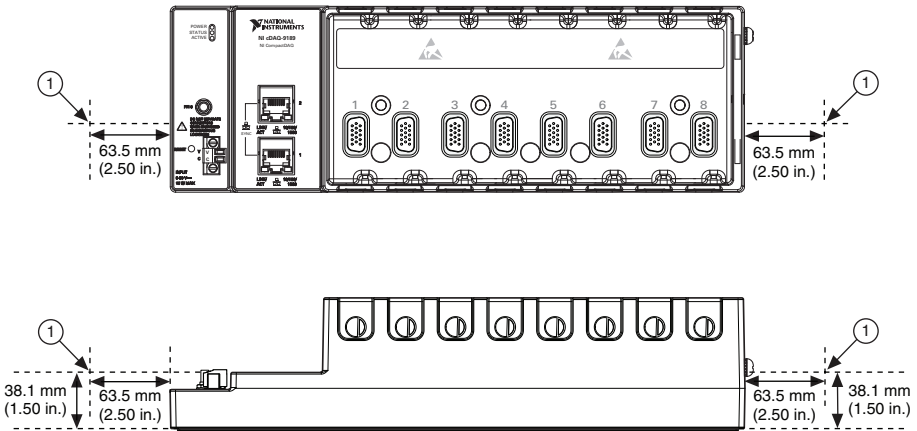
Allow the appropriate space in front of C Series modules for cabling clearance, as shown in the following figure. The different connector types on C Series modules require different cabling clearances. For a complete list of cabling clearances for C Series modules, visit ni.com/info and enter the Info Code `crioconn`.

Figure 1-18. cDAQ Chassis Cabling Clearance (cDAQ-9189 Shown)



Measure the ambient temperature at each side of the cDAQ chassis, 63.5 mm (2.50 in.) from the side and 38.1 mm (1.50 in.) forward from the rear of the cDAQ chassis, as shown in the following figure.

Figure 1-19. cDAQ Chassis Ambient Temperature Location (cDAQ-9189 Shown)



1 Measure the ambient temperature here.

Mounting the cDAQ Chassis Directly on a Flat Surface

For environments with high shock and vibration, NI recommends mounting the cDAQ chassis directly on a flat, rigid surface using the mounting holes in the cDAQ chassis. This mounting technique requires M4 screws appropriate for the surface (two M4 screws for the cDAQ-9185 or three M4 screws for the cDAQ-9189) and a screwdriver.

Complete the following steps to mount the cDAQ chassis directly on a flat surface.

1. Prepare the surface for mounting the cDAQ chassis using the surface mounting dimensions listed in Figure 1-21.

Figure 1-20. cDAQ-9185 Surface Mounting Dimensions

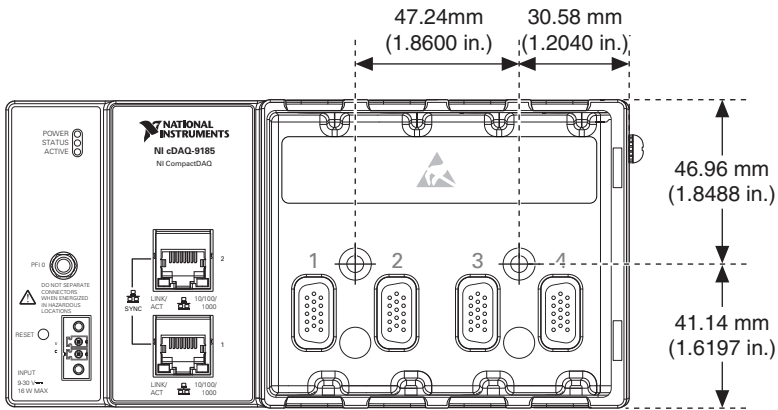
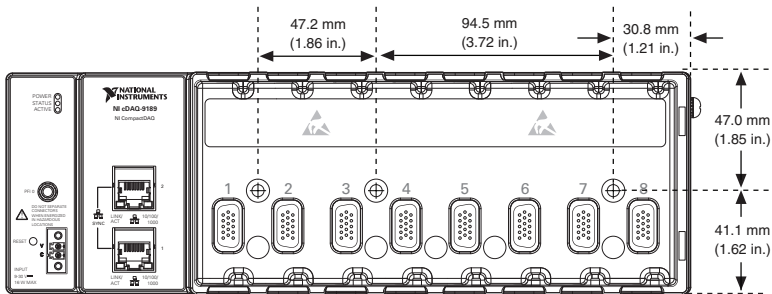
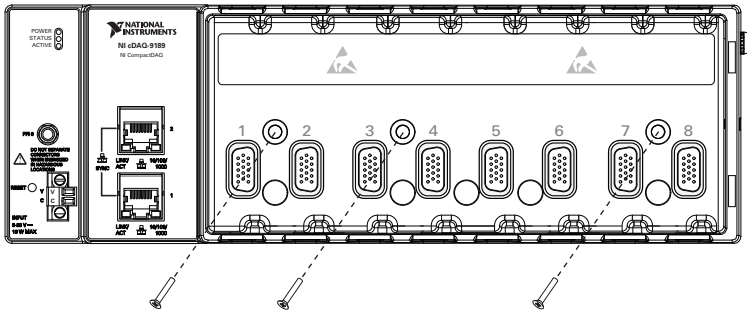


Figure 1-21. cDAQ-9189 Surface Mounting Dimensions



2. Align the cDAQ chassis on the surface.
3. Fasten the cDAQ chassis to the surface using the M4 screws appropriate for the surface. Tighten the screws to a maximum torque of 1.3 N · m (11.5 lb · in.).

Figure 1-22. Mounting the cDAQ Chassis on a Flat Surface (cDAQ-9189 Shown)



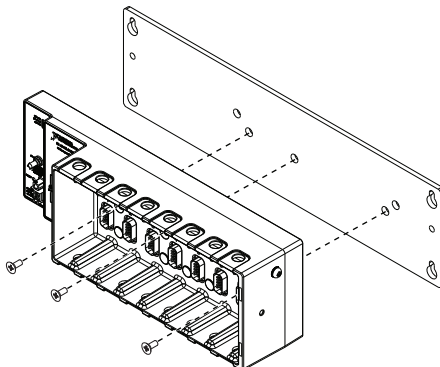
Mounting the cDAQ Chassis on a Panel with a Panel Mounting Kit

You can use a panel mounting kit to mount the cDAQ- chassis on a panel. This mounting technique requires a Phillips #2 screwdriver and a panel mounting kit (NI 9904 panel mounting kit, 779097-01, for the cDAQ-9185, or NI 9905 panel mounting kit, 779558-01, for the cDAQ-9189).

Complete the following steps to mount the cDAQ chassis on a panel.

1. Align the cDAQ chassis and the panel mount plate.
2. Fasten the panel mounting plate to the cDAQ chassis using the screwdriver and screws. Tighten the screws to a maximum torque of $1.3 \text{ N} \cdot \text{m}$ (11.5 lb · in.).
(NI 9904) Use two M4x25 screws, included in the kit.
(NI 9905) Use three M4x23 screws, included in the kit.
3. Fasten the panel mounting plate to the surface using the screwdriver and screws that are appropriate for the surface. The maximum screw size is M5 or number 10.

Figure 1-23. Mounting the Chassis on a Panel (cDAQ-9189 Shown)



The following figures show the panel mounting dimensions for the cDAQ-9185 and cDAQ-9189.

Figure 1-24. cDAQ-9185 Panel Mounting Dimensions

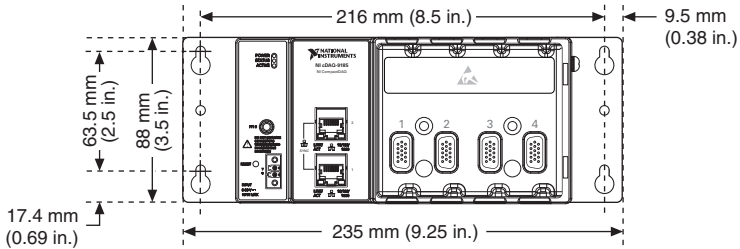
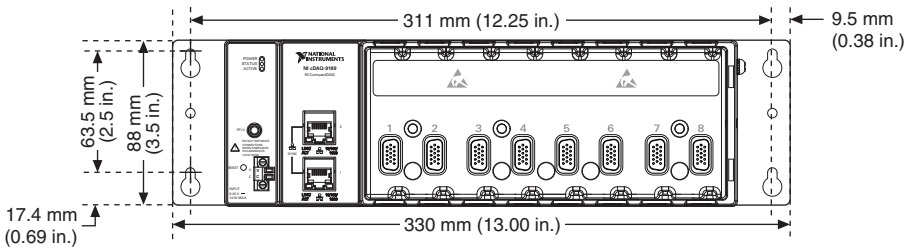


Figure 1-25. cDAQ-9189 Panel Mounting Dimensions



Alternate Mounting Configurations

The maximum operating temperature of 70 °C may be reduced for any mounting configuration other than the reference mounting configuration. A 10 °C (18 °F) reduction in maximum operating temperature is sufficient for most alternate mounting configurations. Follow the mounting requirements for all mounting configurations.

The published accuracy specifications, although not guaranteed for alternate mounting configurations, may be met depending on the system power and the thermal performance of the alternate mounting configuration.

Contact NI for further details regarding the impact of common alternate mounting configurations on maximum operating temperature and module accuracy.

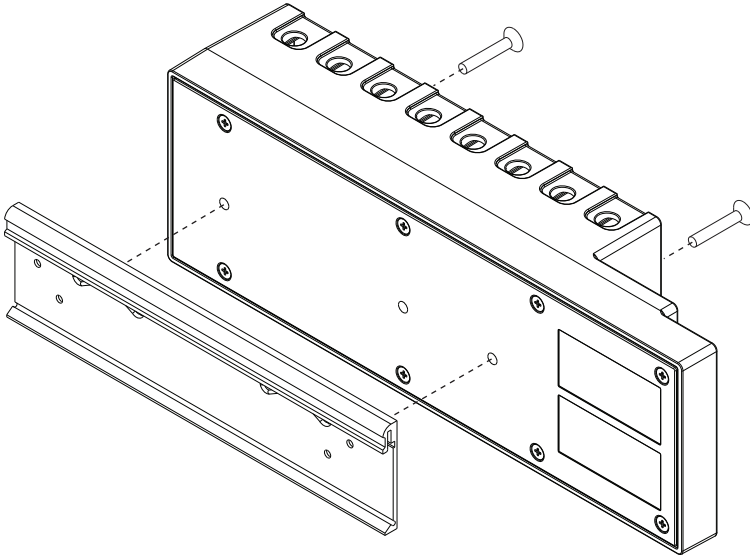
Mounting the cDAQ Chassis on a DIN Rail

You can use the NI DIN rail mounting kit to mount the cDAQ chassis on a standard 35-mm DIN rail. This mounting technique requires a Phillips #2 screwdriver and a panel mounting kit (NI 9912 DIN rail mounting kit, 779019-01, for the cDAQ-9185, or NI 9915 DIN rail mounting kit, 779018-01, for the cDAQ-9189).

Complete the following steps to mount the cDAQ chassis on a DIN rail.

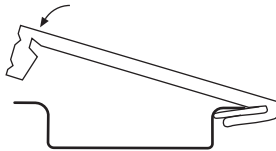
1. Align the cDAQ chassis and the DIN rail clip.
2. Fasten the DIN rail kit to the cDAQ chassis using the screwdriver and M4x25 screws. Tighten the screws to a maximum torque of $1.3 \text{ N} \cdot \text{m}$ ($11.5 \text{ lb} \cdot \text{in.}$).

Figure 1-26. Attaching the Chassis to a DIN Rail Clip (cDAQ-9189 Shown)



You must use the screws provided with the NI DIN rail kit because they are the correct depth and thread for the DIN rail clip.

Figure 1-27. Clipping the Chassis on a DIN Rail



3. Insert one edge of the DIN rail into the deeper opening of the DIN rail clip.
4. Press down firmly to compress the spring until the clip locks in place on the DIN rail.



Note Ensure that no C Series modules are in the cDAQ chassis before removing it from the DIN rail.

Mounting the Chassis on a Rack

NI offers the following rack-mount kits that you can use to mount the cDAQ chassis and other DIN rail-mountable equipment on a standard 482.6 mm (19 in.) rack:

- NI 9910 Sliding Rack-Mounting Kit, 779102-01
- NI Rack-Mounting Kit, 781989-01



Note You must order the NI 9912 DIN rail mounting kit, 779019-01, or NI 9915 DIN rail mounting kit, 779018-01, in addition to a rack-mount kit.

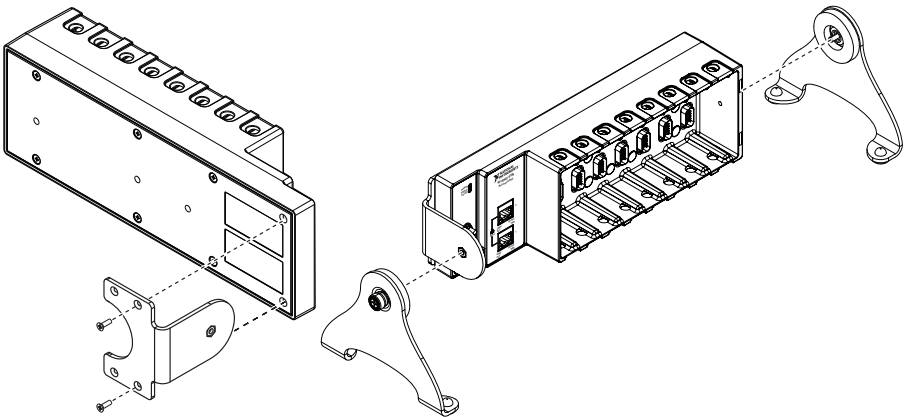
Mounting the cDAQ Chassis on a Desktop

You can use the NI 9901 desktop mounting kit, part number 779473-01, to mount the cDAQ chassis on a desktop. This mounting technique requires Phillips #1 and #2 screwdrivers and the NI 9901 desktop mounting kit, 779473-01.

Complete the following steps to mount the cDAQ chassis on a desktop.

1. Use a #1 Phillips screwdriver to remove the two screws from the back of the chassis on the front-panel side.
2. Use the screwdriver and the two M3x20 screws to attach the adapter bracket to the chassis.
3. Align one of the end brackets with the mounting hole at one of the ends of the chassis.
4. Use a #2 Phillips screwdriver to tighten the captive screw on the end bracket.

Figure 1-28. Attaching the Desktop Mounting Kit (cDAQ-9189 Shown)



5. Repeat steps 2 and 3 to attach the other end bracket to the other end of the chassis.

The following figures show the desktop mounting kit dimensions.

Figure 1-29. Desktop Mounting Front Dimensions (cDAQ-9189 Shown)

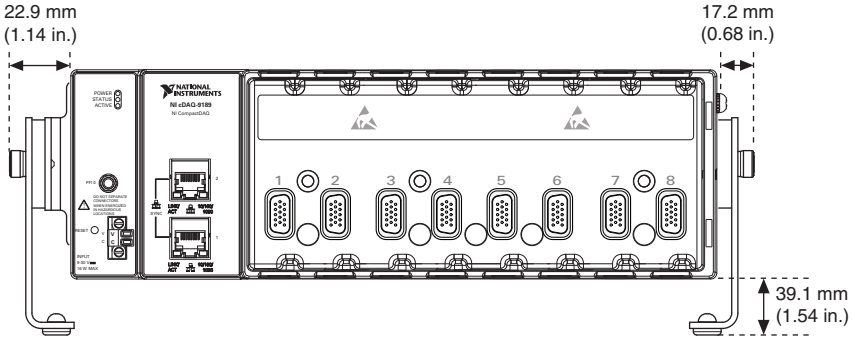
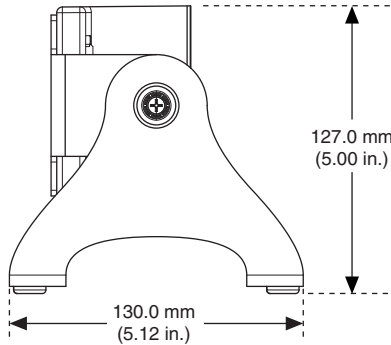


Figure 1-30. Desktop Mounting Side Dimensions



Dimensions

The following figures show the front and side dimensions of the cDAQ-9185 and cDAQ-9189. For detailed dimensional drawings and 3D models, visit ni.com/dimensions and search for cDAQ-9185 or cDAQ-9189.

Figure 1-31. cDAQ-9185 Dimensions

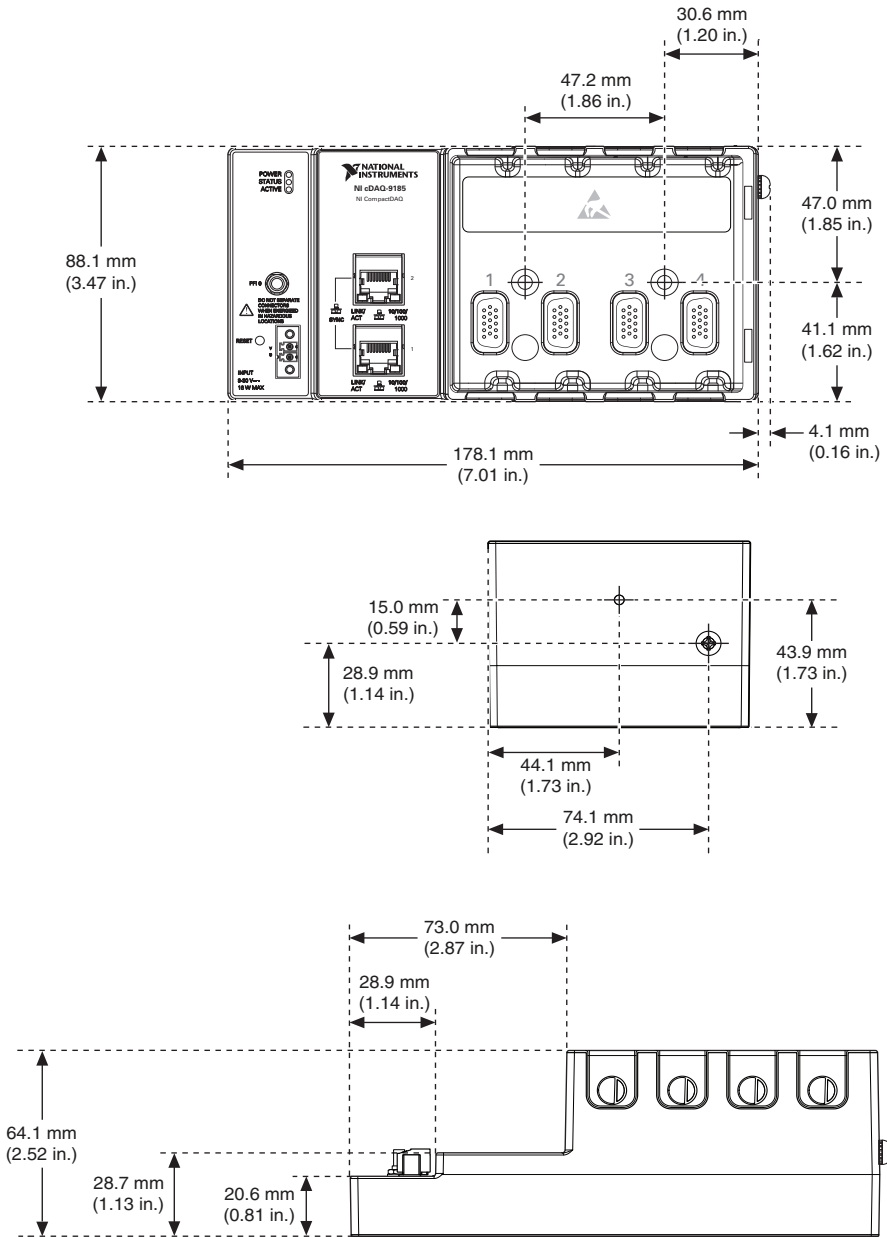
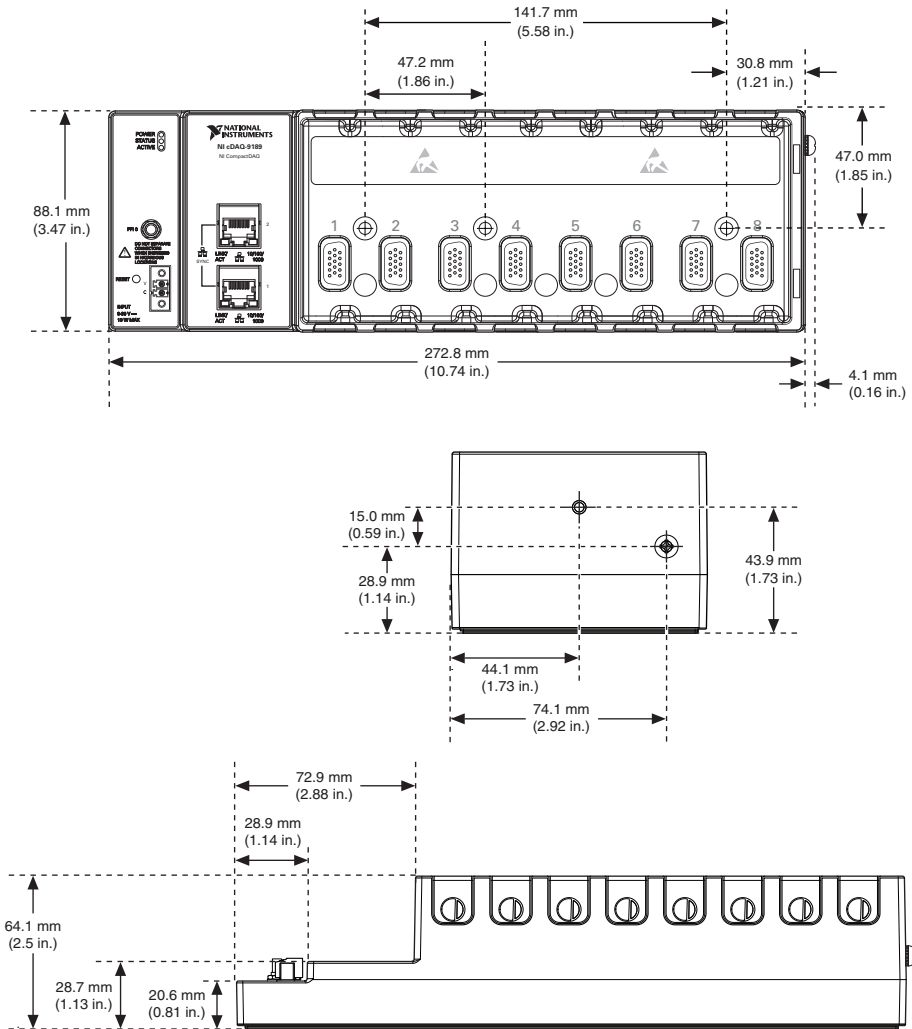


Figure 1-32. cDAQ-9189 Dimensions



cDAQ Chassis Features

The cDAQ chassis features a chassis grounding screw, LEDs, reset button, two Ethernet ports, power connector, and one PFI SMB connector. Refer to Figure 1-1 or 1-2 for locations of the cDAQ chassis features.

LEDs

The statuses for the POWER, STATUS, and ACTIVE LED indicators on the cDAQ chassis are listed in Table 1-3.

Table 1-3. LED State/Chassis Status

LED	Color	LED State	Chassis Status
POWER	Green	On	Power on
		Off	Power off
STATUS	Yellow	On	Chassis firmware booting, updating, or resetting to factory default
		Off	Normal operation
		3 Blinks	Firmware image corrupted. Contact NI for support on corrupted firmware.
ACTIVE	Green	On	A DAQmx task is running on the chassis
		Off	A DAQmx task is not running on the chassis

Ethernet Ports

The cDAQ-9185/9189 chassis has two tri-speed RJ-45 Ethernet ports—Ethernet Port 1 and Ethernet Port 2—as shown in Figure 1-1 or 1-2. You can use a shielded straight-through Category 5 Ethernet or an Ethernet crossover cable with either of the Ethernet ports to network your chassis to a computer host, NI Linux Real-Time controller, cDAQ chassis, FieldDAQ device, or any network connection on the same subnet. Refer to Chapter 2, *Networking*, for more information about using these ports in various topologies.

Ethernet LEDs

The Ethernet port has two LEDs—10/100/1000 and LINK/ACT—described in Table 1-4.

Table 1-4. Ethernet LED Indications

LED	Color	LED State	Chassis Status
10/100/1000	Yellow	On	Connected at 1000 Mbps
	Green	On	Connected at 100 Mbps
	—	Off	No Ethernet connection or 10 Mbps connection
LINK/ACT	Green	On	Ethernet link
		Off	No Ethernet connection
		Blinking	Ethernet activity

Ethernet Cabling

Table 1-5 shows the shielded Ethernet cable wiring connections for both straight-through and crossover cables.

Table 1-5. Ethernet Cable Wiring Connections

Pin	Connector 1	Connector 2	
		Straight-Through	Crossover
1	white/orange	white/orange	white/green
2	orange	orange	green
3	white/green	white/green	white/orange
4	blue	blue	blue
5	white/blue	white/blue	white/blue

Table 1-5. Ethernet Cable Wiring Connections (Continued)

Pin	Connector 1	Connector 2	
		Straight-Through	Crossover
6	green	green	orange
7	white/brown	white/brown	white/brown
8	brown	brown	brown

Reset Button

The cDAQ chassis is equipped with a reset button.

Pressing the reset button results in the following chassis responses:

- When pressed for less than five seconds, the chassis reboots with the current configuration.
- When pressed for five seconds or longer, the STATUS LED lights. When released, the chassis reboots into factory default mode, which returns the chassis user configuration to the factory-set defaults listed in Table 1-6.

Table 1-6. NI cDAQ Chassis Default Settings

Attribute	Value
Hostname	cDAQ918x- <i><serial number></i>
IP	DHCP or Link Local

Table 1-6. NI cDAQ Chassis Default Settings (Continued)

Attribute	Value
Comment	Empty
Default Login	User name = admin Password = no password required

Power Connector

The cDAQ chassis ships with the following:

- 2-position power screw terminal connector plug (for use with an external power source)
- Power supply



Note When operating the cDAQ-9185/9189 in hazardous locations, you must use the power connector with an external power supply rated for hazardous locations. The power supply included in the cDAQ-9185/9189 kit is intended only for desktop use. For all other applications use the included 2-position power connector plug and a power supply rated for your application power requirements. Visit ni.com to find hazardous locations-certified power supplies.

Refer to the specifications document for your chassis for information about the power connector.

PFI 0 SMB Connector

Refer to the *PFI* section of Chapter 5, *Digital Input/Output and PFI*, for information about the SMB connector for PFI 0.

Internal Ethernet Switch

Refer to the *Internal Ethernet Switch* section of Chapter 2, *Networking*, for information about the internal ethernet switch.

Chassis Grounding Screw



Notice To ensure the specified EMC performance, the cDAQ chassis *must* be connected to the grounding electrode system of your facility using the chassis ground terminal.

The wire should be 1.31 mm² (16 AWG) or larger solid copper wire with a maximum length of 1.5 m (5 ft). Attach the wire to the earth ground of the facility’s power system. For more information about earth ground connections, refer to the *Grounding for Test and Measurement Devices* document by going to ni.com/info and entering the Info Code `emcground`.



Note If you use shielded cabling to connect to a C Series module with a plastic connector, you must attach the cable shield to the chassis grounding terminal using 1.31 mm² (16 AWG) or larger wire. Use shorter wire for better EMC performance.

Time-Based Features

cDAQ-9185/9189 chassis feature automatic network-based synchronization with compatible networks and IEEE 802.1AS-capable NI Linux Real-Time controllers. The SYNC logo on the chassis front panel, shown in Figures 1-1 and 1-2, indicate that the chassis are capable of hardware-based synchronization over a network.

The chassis can be daisy-chained to each other or connected to external networks that support IEEE 802.1AS synchronization, and all chassis timebases will be automatically synchronized. Refer to Chapter 2, *Networking*, and the *Synchronization across a Network* section of Chapter 7, *Digital Routing, Clock Generation, and Synchronization*, for more information about supported topologies and other technical requirements.

Network-synchronized chassis can also take advantage of time-based synchronization features in NI-DAQmx. Certain triggers and timestamps can be specified in terms of time of day. Time-based triggers and timestamps and multichassis tasks (spanning multiple network-synchronized cDAQ chassis) can help simplify programming for large systems.

Time triggers and timestamps can be specified in Host Time or I/O Device Time, depending on the needs of your application.

- **I/O Device Time**—The time the cDAQ-9185/9189 uses internally. This time is determined by the network configuration and is shared by all 802.1AS network-synchronized devices on your subnet.
- **Host Time**—The time on your Windows computer or NI Linux Real-Time controller. This is usually the current global time, and is provided by a local real-time clock or a network time protocol (NTP) server.

NI-DAQmx automatically translates from Host Time to I/O Device Time as necessary. The accuracy of this translation depends on the relationship between these times and can reduce the relative accuracy of time triggers and timestamps across multiple devices. For maximum accuracy, use an NI Linux Real-Time controller as the host in a supported topology. However, NI-DAQmx guarantees that two tasks configured to start at the same host time always start at the same I/O Device Time in all scenarios, preserving precise synchronization between chassis in this common use case. Refer to the *Timestamps* and *Time Triggering* topics in the *NI-DAQmx Help* for more information on accessing time-based features in the NI-DAQmx API.

Watchdog Timer

The watchdog timer is a software-configurable feature used to set critical outputs to expiration states in the event of a software failure, a system crash, or any other loss of communication between the application and the cDAQ chassis.

When the watchdog timer is enabled, if the cDAQ chassis does not receive a watchdog reset software command within the time specified for the watchdog timer, the outputs go to a user-defined expiration state and remain in that state until the watchdog timer is disarmed by a device reset. After the watchdog timer expires, the cDAQ chassis cannot perform any operation until the cDAQ chassis is reset.

You can use the watchdog timer to do the following:

- Set a timeout period to specify the amount of time that must elapse before the watchdog timer expires
- Set to expire upon loss of network connectivity

The counter on the watchdog timer is configurable up to $(2^{32} - 1) \times 25$ ns (approximately 107 seconds) before it expires. Analog output, digital output, and counter output channels can be configured to transition to an expiration state when a watchdog timer expires.

Resetting the chassis after a watchdog expiration event results in all module outputs defaulting to power up or startup states as defined in the module specifications.



Note Resetting the chassis after a watchdog expiration event may result in undefined transient behavior on the outputs of the NI 9269 and NI 9474 modules. Consult the module specifications for the expected I/O behavior.



Note Restarting or re-reserving the chassis may lead to undefined transient behavior on the outputs of any modules, so these operations are not recommended as means of a watchdog expiration event recovery.



Note No other operations may be running on the cDAQ chassis while the watchdog timer task is being started; this includes all DAQmx tasks, calibration of modules, and routing and configuration of signals on the chassis. After the watchdog timer task starts, DAQmx tasks can be started and stopped and other operations can be performed.

Firmware

Firmware can be updated through NI MAX or the web interface to the chassis. For cDAQ firmware information and updates, visit ni.com/info and enter the Info Code `cdaqfw`.

Cables and Accessories

Table 1-7 contains information about cables and accessories available for the cDAQ chassis. For a complete list of cDAQ chassis accessories and ordering information, refer to the pricing section of the NI cDAQ-9185/9189 product page at ni.com.

Table 1-7. Cables and Accessories

Accessory	Part Number	cDAQ Chassis
NI PS-15 power supply (24 VDC, 5 A, 100 to 120/200 to 240 VAC input, -25 to 70 °C)	781093-01	cDAQ-9185 cDAQ-9189
NI PS-9 desktop power supply (12 VDC, 1.25 A, 100 to 240 VAC input, 0 to 70 °C, derated 0.27 W/°C above 40 °C)	780703-01	cDAQ-9185 cDAQ-9189
NI 9901 desktop mounting kit	779473-01	cDAQ-9185 cDAQ-9189
NI 9904 panel mount kit	779097-01	cDAQ-9185
NI 9905 panel mount kit	779558-01	cDAQ-9189
NI 9912 DIN rail mounting kit	779019-01	cDAQ-9185
NI 9915 DIN rail mounting kit	779018-01	cDAQ-9189
Carrying Handle for CompactRIO & CompactDAQ	786744-01	cDAQ-9185 cDAQ-9189
2-pos screw terminal kit for power supply connection, qty 4	780702-01	cDAQ-9185 cDAQ-9189
CAT-5E Ethernet cable, shielded, (2 m, 5 m, and 10 m lengths)	151733-02/05/10	cDAQ-9185 cDAQ-9189

Removing Modules from the cDAQ Chassis

Complete the following steps to remove a C Series module from the cDAQ chassis.

1. Make sure that no I/O-side power is connected to the module. If the system is in a nonhazardous location, the chassis power can be on when you remove modules.
2. Squeeze the latches on both sides of the module and pull the module out of the chassis.

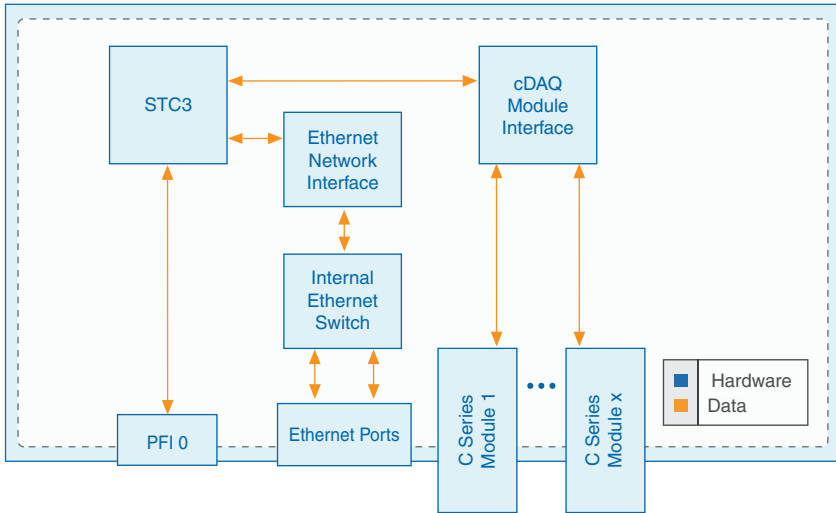
Maintenance

If you need to clean the chassis, wipe it with a dry towel.

Using the cDAQ Chassis

The cDAQ system consists of three parts: C Series module(s), the cDAQ module interface, and the STC3, as shown in Figure 1-33. These components digitize signals, perform D/A conversions to generate analog output signals, measure and control digital I/O signals, and provide signal conditioning.

Figure 1-33. cDAQ-9185/9189 Chassis Block Diagram



C Series Module

National Instruments C Series modules provide built-in signal conditioning and connectivity, such as screw terminal, spring terminal, BNC, DSUB, or RJ-50 connectors. A wide variety of I/O types are available, allowing you to customize the cDAQ system to meet your application needs.

C Series modules are hot-swappable and automatically detected by the cDAQ chassis. I/O channels are accessible using the NI-DAQmx driver software.

Because the modules contain built-in signal conditioning for extended voltage ranges or industrial signal types, you can usually make your wiring connections directly from the C Series modules to your sensors/actuators. In most cases, the C Series modules provide channel-to-ground and channel-to-channel isolation.

For more information about which C Series modules are compatible with the cDAQ chassis, go to ni.com/info and enter the Info Code `rdcdaq`.

cDAQ Module Interface

The cDAQ module interface manages data transfers between the STC3 and the C Series modules. The interface also handles autodetection, signal routing, and synchronization.

STC3

The STC3 features independent high-speed data streams; flexible AI, AO, and DIO sample timing, triggering, PFI signals for multi-device synchronization, flexible counter/timers with hardware gating, digital waveform acquisition and generation, and static DIO.

- **AI, AO, and DIO Sample Timing**—The STC3 contains advanced AI, AO, and DIO timing engines. A wide range of timing and synchronization signals are available through the PFI lines. Refer to the following sections for more information about the configuration of these signals:
 - The *Analog Input Timing Signals* section of Chapter 3, *Analog Input*
 - The *Analog Output Timing Signals* section of Chapter 4, *Analog Output*
 - The *Digital Input Timing Signals* section of Chapter 5, *Digital Input/Output and PFI*
 - The *Digital Output Timing Signals* section of Chapter 5, *Digital Input/Output and PFI*
- **Triggering Modes**—The cDAQ chassis supports different trigger modes, such as start trigger, reference trigger, and pause trigger with analog, digital, or software sources. Refer to the following sections for more information:
 - The *Analog Input Triggering Signals* section of Chapter 3, *Analog Input*
 - The *Analog Output Triggering Signals* section of Chapter 4, *Analog Output*
 - The *Digital Input Triggering Signals* section of Chapter 5, *Digital Input/Output and PFI*
 - The *Digital Output Triggering Signals* section of Chapter 5, *Digital Input/Output and PFI*
- **Independent Data Streams**—The cDAQ chassis supports seven independent high-speed data streams, which allow for up to seven simultaneous hardware-timed tasks, such as analog input, analog output, buffered counter/timers, and hardware-timed digital input/output.
- **PFI Signals**—The PFI signals provide access to advanced features such as triggering, synchronization, and counter/timers. You can also enable a programmable debouncing filter on each PFI signal that, when enabled, samples the input on each rising edge of a filter clock. PFI signals are available through parallel digital input and output modules installed in up to two chassis slots and through the two PFI terminals provided on the cDAQ chassis. Refer to the *PFI* section of Chapter 5, *Digital Input/Output and PFI*, for more information.

- **Flexible Counter/Timers**—The cDAQ chassis includes four general-purpose 32-bit counter/timers that can be used to count edges, measure pulse-widths, measure periods and frequencies, and perform position measurements (encoding). In addition, the counter/timers can generate pulses, pulse trains, and square waves with adjustable frequencies. You can access the counter inputs and outputs using parallel digital I/O modules installed in up to two slots, or by using the two chassis PFI terminals provided on the cDAQ chassis. Refer to Chapter 6, [Counters](#), for more information.

Ethernet Network Interface

The Ethernet Network Interface transfers analog input, analog output, and digital I/O data between the STC3 and the network. It gathers the data into TCP/IP packets that can be sent across the network and interpreted by the host.

Internal Ethernet Switch and Ethernet Ports

The Ethernet switch exposes two Ethernet ports to the user. Either port can be used to connect the chassis to the network. The two ports can be used to connect multiple chassis in a daisy-chain topology. The switch also provides synchronization features that enable analog input, analog output, and counter/timers to be synchronized to other chassis across a distributed network. Refer to Chapter 2, [Networking](#), for information about cDAQ chassis daisy-chain topology and the internal Ethernet switch.

Networking

This chapter explores the internal Ethernet switch and recommended networking topologies for the cDAQ chassis.



Note Refer to the *Installing the cDAQ Chassis* and *Connecting to a Real-Time Controller* sections of Chapter 1, *Getting Started with the cDAQ Chassis*, for information about connecting the cDAQ chassis to a host computer or host real-time controller.

Internal Ethernet Switch

The cDAQ-9185/9189 chassis feature a full hardware-accelerated internal Ethernet switch for greater performance, wiring flexibility, and compatibility over standard Ethernet ports. The Ethernet switch exposes two Ethernet ports to the user. Either port can be used to connect the chassis to the network. The two ports can be used to connect multiple devices in a daisy-chain topology. The switch also supports the Rapid Spanning Tree Protocol (RSTP) algorithm, enabling ring topologies. Refer to the *Topology Options* section for more details.

IEEE 802.1AS-2011 Precision Time Protocol

The internal Ethernet switch is an 802.1AS time-aware bridge, compatible with the IEEE 802.1AS-2011 Precision Time Protocol. It can synchronize local analog input, analog output, digital input/output, and counter/timers to other devices across an 802.1AS subnet. It can also serve as a bridge, synchronizing 802.1AS devices that are attached to each of the two ports. Refer to the *Synchronization across a Network* section, of Chapter 7, *Digital Routing, Clock Generation, and Synchronization*, for more details.

IEEE 802.1Q Rapid Spanning Tree Protocol (RSTP)

It is possible to create loops in a network using the cDAQ-9185/9189. To prevent these loops from disrupting the network, the cDAQ chassis implements the IEEE 802.1Q Rapid Spanning Tree Protocol (RSTP). Using this protocol, each cDAQ chassis is able to find the shortest path for incoming packets to reach the rest of the network. When multiple paths exist, this adds a form of redundancy. If a link fails, the protocol automatically switches to use the redundant link. This process can take several seconds in some cases.

To gain these benefits on external switches connected to the cDAQ chassis, IEEE 802.1Q (RSTP) must be enabled. All external switches must be configured to allow the cDAQ chassis to transmit RSTP packets, known as Bridge Protocol Data Units (BPDU). If any switch has a feature—such as “BPDU guard”—enabled, the port connected to the cDAQ chassis is disabled

and communication is lost. Refer to the documentation for your external switch for information about enabling RSTP and disabling BPDU guards on the switch.

IEEE 1588-2008 Protocol



Note IEEE 1588 protocol is supported in NI-DAQmx 18.1 and later.

The internal Ethernet switch can be configured to act as a 1588 “boundary clock” implementing the IEEE 1588 delay request-response default PTP profile (sometimes referred to as “default profile”). When so configured, it can synchronize local measurement signals to other devices across an IP subnetwork and can serve as a bridge, synchronizing 1588 devices that are attached to each of the two ports. Refer to the *Synchronization across a Network* section, of Chapter 7, *Digital Routing, Clock Generation, and Synchronization*, for more details.



Note The IEEE 802.1AS protocol is an IEEE 1588 profile, but is incompatible with other IEEE 1588 profiles. When cDAQ chassis are using the IEEE 802.1AS protocol to synchronize they cannot synchronize with devices that use other protocols or IEEE 1588 profiles and vice versa.

Chassis MAC Addresses

The cDAQ chassis is associated with two MAC addresses—both of which are labeled on the chassis—device and switch. These MAC addresses are not associated with a particular Ethernet port, but both addresses can appear on both ports as necessary.

Table 2-1. NI MAX Device and Switch MAC Addresses

Device MAC Address	Switch MAC Address
Associated with the chassis’ IP address	Associated with the internal Ethernet switch—not associated with the chassis’ IP address
Used by normal device traffic	Used for Ethernet protocols for network configuration and synchronization
Listed in MAX	Not listed in MAX

The switch MAC address is used to implement the following switch protocols:

- IEEE 802.1AS-2011 (Precision Time Protocol)
- IEEE 802.1Q (Rapid Spanning Tree Protocol [RSTP])
- IEEE 1588-2008 (Precision Time Protocol)¹

¹ IEEE 1588 protocol is supported in NI-DAQmx 18.1 and later.

The switch MAC address only appears in packets exchanged between the switch embedded in the cDAQ chassis and the next Ethernet device. It will not propagate further in a properly configured network. For more information about the recommended configurations for networking the cDAQ chassis, refer to the [Topology Options](#) section.

Topology Options

Recommended networking topologies are described in this section.

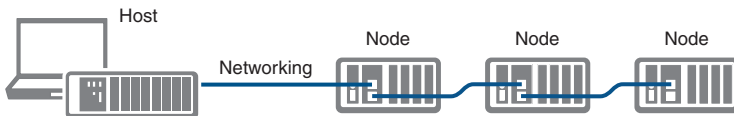
- **Host**—Can be a Windows computer or a real-time controller with the NI Linux Real-Time operating system, such as the IC-317x, cRIO-9035/9039 Sync, cRIO-904x/905x, or cDAQ-9132/9133/9134/9135/9136/9137 for LabVIEW Real-Time
- **Node**—Can be the cDAQ-9185/9189 chassis or any FieldDAQ device

For more information about designing Ethernet measurement systems, visit ni.com/info and enter `cdagenet`.

Line Topology

In a line topology—also known as daisy-chaining or bus topology—the host communicates directly with all nodes through one bus line. A standard Ethernet device or switch can be added to the end of the chain if desired and used as normal. Be aware that these devices will compete for network bandwidth with the cDAQ chassis. Reliable system design requires awareness of the bandwidth consumed by each device during operations. This topology offers no redundant links.

Figure 2-1. Line Topology



Advantages:

- Simple and inexpensive installation, expansion, and troubleshooting
- Ideal for low number of nodes. NI recommends a maximum of 15 nodes.
- No external switch needed
- Can cover long distances

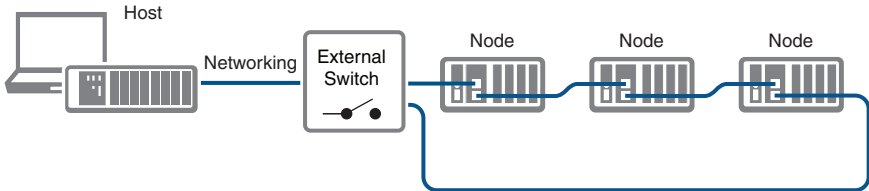
Disadvantages:

- Any unpowered nodes and/or node failure disrupts network communication
- Addition or removal of any node disrupts network communication
- Failure of any Ethernet cable and/or improper cable termination disrupts network communication
- Network performance and synchronization affected when node count exceeds 15. Consider the [Star Topology](#) for systems that require a greater number of nodes.

Ring Topology

In a ring topology, the host communicates with all nodes through the most effective path. You must use an external switch in a ring topology. You must configure the network properly with a recommended external switch before creating redundant links in the network. Refer to the [External Switch Requirements](#) section for information about what to look for in an external switch.

Figure 2-1. Ring Topology



Advantages:

- Failure of any single Ethernet cable does not disrupt network communication
- Additional nodes or heavier network traffic affects network performance less than the line topology
- Simple installation
- Ideal for a local networking solution



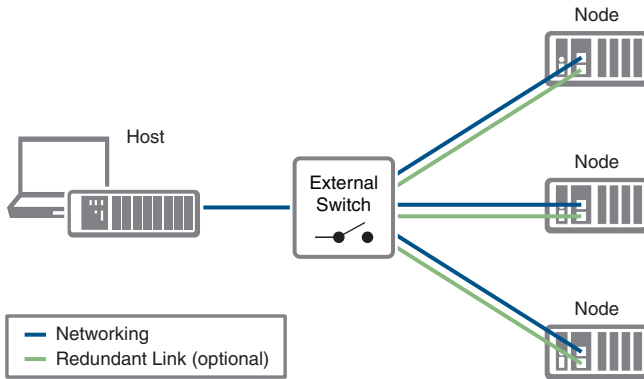
Note Network configuration and programming require careful consideration. Visit ni.com/info and enter `cdagenet` for information about exploiting link redundancy and automatically improving reliability.

Disadvantages:

- Network traffic patterns can make troubleshooting difficult
- Requires an external switch

Star Topology

In a star topology, the host communicates directly with each node through the external switch. You must use an external switch in a star topology; for network synchronization, you must use an external 802.1AS switch. Redundant links are recommended, but optional, in this topology. You must configure the network properly with a recommended external switch before creating redundant links in the network. Refer to the [External Switch Requirements](#) section for information about what to look for in an external 802.1AS switch.

Figure 2-2. Star Topology**Advantages:**

- Unpowered nodes and/or node failure does not disrupt network communication with other nodes
- Failure of any single Ethernet cable does not disrupt network communication when you have a redundant link
- Additional nodes or heavier network traffic affects network performance less than the other topologies
- Simple installation, expansion, and troubleshooting



Note Network configuration and programming require careful consideration. Visit ni.com/info and enter `cdagenet` for information about exploiting link redundancy and automatically improving reliability.

Disadvantages:

- Most costly of the recommended topologies
- Requires an external switch (external 802.1AS switch for network synchronization)
- Covers the least distance

Other Topologies

For information about designing Ethernet measurement systems for synchronization, visit ni.com/info and enter `cdagenet`.

External Switch Requirements

To meet the minimum requirements for successful operation with cDAQ-9185/9189 chassis, any switch directly connected to the chassis should be compliant with IEEE 802.1Q bridges and bridged networks

To take advantage of the network synchronization and network redundancy features of the cDAQ-9185/9189, ensure that your network infrastructure meets certain requirements:

- **IEEE 802.1AS-2011 time-based synchronization support**—Automatically synchronizes timebases and enables the use of time-based triggers, timestamping, and multi-device tasks between chassis across the network.
- **IEEE 802.1Q (Rapid Spanning Tree Protocol) support**—Supports network redundancy functionality in ring and star topologies
 - Rapid Spanning Tree Protocol (RSTP) enabled
 - Bridge Protocol Data Units (BPDU) Guard disabled

To learn more about recommended network switches and other network configuration best practices and requirements, visit ni.com/info and enter `cdagenet`.

Analog Input

To perform analog input measurements, install a supported analog input C Series module into any slot on the cDAQ chassis. The measurement specifications, such as number of channels, channel configuration, sample rate, and gain, are determined by the type of C Series module used. For more information and wiring diagrams, refer to the documentation included with your C Series modules.

The cDAQ chassis has three AI timing engines, which means that three analog input tasks can be running at a time on a chassis. An analog input task can include channels from multiple analog input modules. However, channels from a single module cannot be used in multiple tasks.

Multiple timing engines allow the cDAQ chassis to run up to three analog input tasks simultaneously, each using independent timing and triggering configurations. The three AI timing engines are ai, te0, and te1.

Analog Input Triggering Signals

A trigger is a signal that causes an action, such as starting or stopping the acquisition of data. When you configure a trigger, you must decide how you want to produce the trigger and the action you want the trigger to cause. The cDAQ chassis supports internal software triggering, external digital triggering, analog triggering, and internal time triggering.

Three triggers are available: Start Trigger, Reference Trigger, and Pause Trigger. An analog or digital signal can initiate these three trigger actions. Time can also initiate the Start Trigger. Up to two C Series parallel digital input modules can be used in any chassis slot to supply a digital trigger. To find your module triggering options, refer to the documentation included with your C Series modules. For more information about using digital modules for triggering, refer to Chapter 5, [Digital Input/Output and PFI](#).

Refer to the [AI Start Trigger Signal](#), [AI Reference Trigger Signal](#), and [AI Pause Trigger Signal](#) sections for more information about the analog input trigger signals.

Analog Input Timing Signals

The cDAQ chassis features the following analog input timing signals:

- [AI Sample Clock Signal*](#)
- [AI Sample Clock Timebase Signal](#)
- [AI Start Trigger Signal*](#)

- *AI Reference Trigger Signal**
- *AI Pause Trigger Signal**

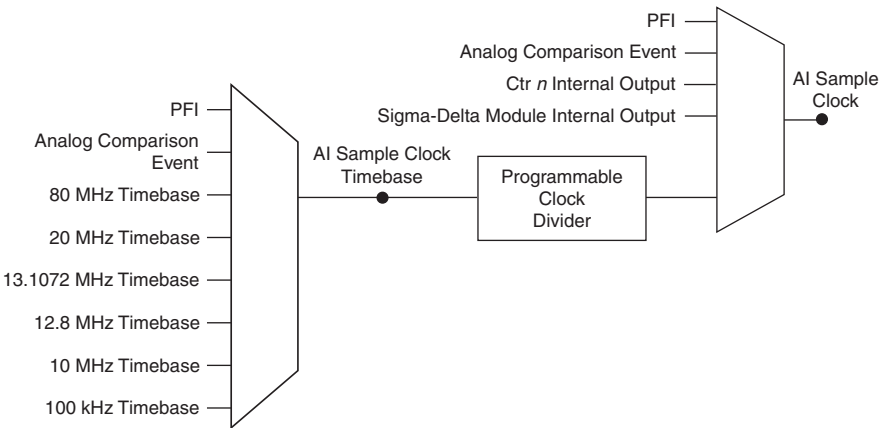
Signals with an * support digital filtering. Refer to the *PFI Filters* section of Chapter 5, *Digital Input/Output and PFI*, for more information.

Refer to the *AI Convert Clock Signal Behavior For Analog Input Modules* section for AI Convert Clock signals and the cDAQ chassis.

AI Sample Clock Signal

A sample consists of one reading from each channel in the AI task. Sample Clock signals the start of a sample of all analog input channels in the task. Sample Clock can be generated from external or internal sources as shown in Figure 3-1.

Figure 3-1. AI Sample Clock Timing Options



Routing the Sample Clock to an Output Terminal

You can route Sample Clock to any output PFI terminal. Sample Clock is an active high pulse by default.

AI Sample Clock Timebase Signal

The AI Sample Clock Timebase signal is divided down to provide a source for Sample Clock. AI Sample Clock Timebase can be generated from external or internal sources. AI Sample Clock Timebase is not available as an output from the chassis.

AI Convert Clock Signal Behavior For Analog Input Modules

Refer to the [Scanned Modules](#), [Simultaneous Sample-and-Hold Modules](#), [Delta-Sigma Modules](#), and [Slow Sample Rate Modules](#) sections for information about the AI Convert Clock signal and C Series analog input modules.

Scanned Modules

Scanned C Series analog input modules contain a single A/D converter and a multiplexer to select between multiple input channels. When the cDAQ Module Interface receives a Sample Clock pulse, it begins generating a Convert Clock for each scanned module in the current task. Each Convert Clock signals the acquisition of a single channel from that module. The Convert Clock rate depends on the module being used, the number of channels used on that module, and the system Sample Clock rate.

The driver chooses the fastest conversion rate possible based on the speed of the A/D converter for each module and adds 10 μ s of padding between each channel to allow for adequate settling time. This scheme enables the channels to approximate simultaneous sampling. If the AI Sample Clock rate is too fast to allow for 10 μ s of padding, NI-DAQmx selects a conversion rate that spaces the AI Convert Clock pulses evenly throughout the sample. NI-DAQmx uses the same amount of padding for all the modules in the task. To explicitly specify the conversion rate, use the **ActiveDevs** and **AI Convert Clock Rate** properties using the **DAQmx Timing** property node or functions.

Simultaneous Sample-and-Hold Modules

Simultaneous sample-and-hold (SSH) C Series analog input modules contain multiple A/D converters or circuitry that allows all the input channels to be sampled at the same time. These modules sample their inputs on every Sample Clock pulse.

Delta-Sigma Modules

Delta-sigma C Series analog input modules function much like SSH modules, but use A/D converters that require a high-frequency oversample clock to produce accurate, synchronized data. Some delta-sigma modules in the cDAQ chassis automatically share a single oversample clock to synchronize data from all the modules that support an external oversample clock timebase when they all share the same task. (DSA modules are an example). The cDAQ chassis supports a maximum of two synchronization pulse signals configured for your system. This limits the system to two tasks with different oversample clock timebases.

The oversample clock is used as the AI Sample Clock Timebase. The cDAQ chassis supplies 10 MHz, 12.8 MHz, and 13.1072 MHz timebases from which software automatically selects based on the modules in the task. When delta-sigma modules with different oversample clock frequencies are used in an analog input task, the AI Sample Clock Timebase can use any of the available frequencies; by default, the fastest available is used. The sample rate of all modules in the task is an integer divisor of the frequency of the AI Sample Clock Timebase.

When one or more delta-sigma modules are in an analog input task, the delta-sigma modules also provide the signal used as the AI Sample Clock. This signal is used to cause A/D conversion for other modules in the system, just as the AI Sample Clock does when a delta-sigma module is not being used.

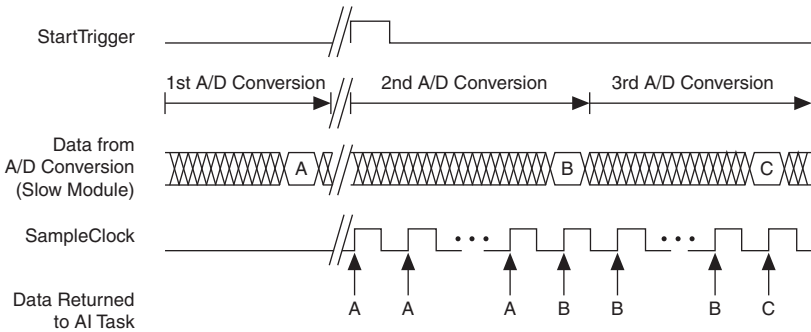
When delta-sigma modules are in an AI task, the chassis automatically issues a synchronization pulse to each delta-sigma modules that resets their ADCs at the same time. You can also specify a specific time for the sync pulse to occur. Because of the filtering used in delta-sigma A/D converters, these modules usually exhibit a fixed input delay relative to non-delta-sigma modules in the system. This input delay is specified in the C Series module documentation.

When using multichassis device tasks across multiple chassis that contains channels from delta-sigma C Series modules ensure that one of those channels is the first in your channel list.

Slow Sample Rate Modules

Some C Series analog input modules are specifically designed for measuring signals that vary slowly, such as temperature. Because of their slow rate, it is not appropriate for these modules to constrain the AI Sample Clock to operate at or slower than their maximum rate. When using such a module in the cDAQ chassis, the maximum Sample Clock rate can run faster than the maximum rate for the module. When operating at a rate faster than these slow rate modules can support, the slow rate module returns the same point repeatedly, until a new conversion completes. In a hardware-timed task, the first point is acquired when the task is committed. The second point is acquired after the start trigger as shown in Figure 3-2.

Figure 3-2. Sample Clock Timing Example



For example, if running an AI task at 1 kHz using a module with a maximum rate of 10 Hz, the slow module returns 100 samples of the first point, followed by 100 samples of the second point, etc. Other modules in the task will return 1,000 new data points per second, which is normal. When performing a single-point acquisition, no points are repeated. To avoid this behavior, use multiple AI timing engines, and assign slow sample rate modules to a task with a rate at or slower than their maximum rate.

For more information about which C Series modules are compatible with the cDAQ chassis, go to ni.com/info and enter the Info Code `rdcdaq`.

AI Start Trigger Signal

Use the Start Trigger signal to begin a measurement acquisition. A measurement acquisition consists of one or more samples. If you do not use triggers, begin a measurement with a software command. Once the acquisition begins, configure the acquisition to stop in one of the following ways:

- When a certain number of points has been sampled (in finite mode)
- After a hardware reference trigger (in finite mode)
- With a software command (in continuous mode)

An acquisition that uses a start trigger (but not a reference trigger) is sometimes referred to as a posttriggered acquisition. That is, samples are measured only after the trigger.

When you are using an internal sample clock, you can specify a default delay from the start trigger to the first sample.

Using a Digital Source

To use the Start Trigger signal with a digital source, specify a source and a rising or falling edge. Use the following signals as the source:

- Any PFI terminal
- Counter n Internal Output

The source also can be one of several other internal signals on your cDAQ chassis. Refer to the *Device Routing in MAX* topic in the *NI-DAQmx Help* or the *LabVIEW Help* for more information.

Using an Analog Source

Some C Series modules can generate a trigger based on an analog signal. In NI-DAQmx, this is called the Analog Comparison Event. When you use an analog trigger source for Start Trigger, the acquisition begins on the first rising edge of the Analog Comparison Event signal.



Note Depending on the C Series module capabilities, you may need two modules to utilize analog triggering.

Using a Time Source

To use the Start Trigger signal with a time source, specify a specific time in NI-DAQmx. Refer to the *Timestamps* and *Time Triggering* topics in the *NI-DAQmx Help* for more information on accessing time-based features in the NI-DAQmx API.

Routing AI Start Trigger to an Output Terminal

You can route the Start Trigger signal to any output PFI terminal. The output is an active high pulse.

AI Reference Trigger Signal

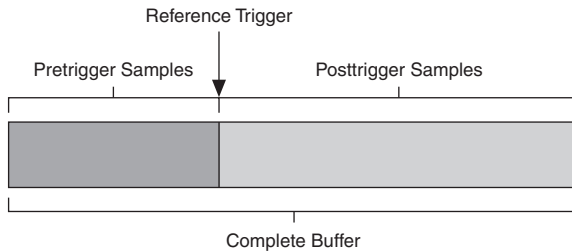
Use Reference Trigger to stop a measurement acquisition. To use a reference trigger, specify a buffer of finite size and a number of pretrigger samples (samples that occur before the reference trigger). The number of posttrigger samples (samples that occur after the reference trigger) desired is the buffer size minus the number of pretrigger samples.

Once the acquisition begins, the cDAQ chassis writes samples to the buffer. After the cDAQ chassis captures the specified number of pretrigger samples, the cDAQ chassis begins to look for the reference trigger condition. If the reference trigger condition occurs before the cDAQ chassis captures the specified number of pretrigger samples, the chassis ignores the condition.

If the buffer becomes full, the cDAQ chassis continuously discards the oldest samples in the buffer to make space for the next sample. This data can be accessed (with some limitations) before the cDAQ chassis discards it. Refer to the *Can a Pretriggered Acquisition be Continuous?* document for more information. To access this document, go to ni.com/info and enter the Info Code `rdcanq`.

When the reference trigger occurs, the cDAQ chassis continues to write samples to the buffer until the buffer contains the number of posttrigger samples desired. Figure 3-3 shows the final buffer.

Figure 3-3. Reference Trigger Final Buffer



Using a Digital Source

To use Reference Trigger with a digital source, specify a source and a rising or falling edge. Either PFI or one of several internal signals on the cDAQ chassis can provide the source. Refer to the *Device Routing in MAX* topic in the *NI-DAQmx Help* or the *LabVIEW Help* for more information.

Using an Analog Source

Some C Series modules can generate a trigger based on an analog signal. In NI-DAQmx, this is called the Analog Comparison Event.

When you use an analog trigger source, the acquisition stops on the first rising or falling edge of the Analog Comparison Event signal, depending on the trigger properties.



Note Depending on the C Series module capabilities, you may need two modules to utilize analog triggering.

Routing the Reference Trigger Signal to an Output Terminal

You can route Reference Trigger to any output PFI terminal. Reference Trigger is active high by default.

AI Pause Trigger Signal

You can use the Pause Trigger to pause and resume a measurement acquisition. The internal sample clock pauses while the external trigger signal is active and resumes when the signal is inactive. You can program the active level of the pause trigger to be high or low.

Using a Digital Source

To use the Pause Trigger, specify a source and a polarity. The source can be either from PFI or one of several other internal signals on your cDAQ chassis. Refer to the *Device Routing in MAX* topic in the *NI-DAQmx Help* or the *LabVIEW Help* for more information.

Using an Analog Source

Some C Series modules can generate a trigger based on an analog signal. In NI-DAQmx, this is called the Analog Comparison Event.

When you use an analog trigger source, the internal sample clock pauses when the Analog Comparison Event signal is low and resumes when the signal goes high (or vice versa).



Note Depending on the C Series module capabilities, you may need two modules to utilize analog triggering.



Note Pause triggers are only sensitive to the level of the source, not the edge.

Analog Input Sync Pulse

You can use time as a trigger for sync pulses on delta-sigma C Series modules. To use a sync pulse with a time source, specify a specific time in NI-DAQmx. Refer to the *Time Triggering* topic in the *NI-DAQmx Help* for more information on accessing time-based features in the NI-DAQmx API.



Note To accurately synchronize delta-sigma devices in two or more separate tasks, you must specify the same sync pulse. Otherwise, a sync pulse is initiated by software implicitly, even if time start triggers are specified for the tasks. However, for multichassis tasks, the sync pulses and start triggers are automatically synchronized.

Getting Started with AI Applications in Software

You can use the cDAQ chassis in the following analog input applications:

- Single-point acquisition
- Finite acquisition
- Continuous acquisition

For more information about programming analog input applications and triggers in software, refer to the *NI-DAQmx Help* or the *LabVIEW Help* for more information.

Analog Output

To generate analog output, install an analog output C Series module in any slot on the cDAQ chassis. The generation specifications, such as the number of channels, channel configuration, update rate, and output range, are determined by the type of C Series module used. For more information, refer to the documentation included with your C Series module(s).

On a single analog output C Series module, you can assign any number of channels to either a hardware-timed task or a software-timed (single-point) task. However, you cannot assign some channels to a hardware-timed task and other channels (on the same module) to a software-timed task.

Any hardware-timed task or software-timed task can have channels from multiple modules in the same chassis.

Analog Output Data Generation Methods

When performing an analog output operation, you either can perform software-timed or hardware-timed generations. Hardware-timed generations must be buffered.

Software-Timed Generations

With a software-timed generation, software controls the rate at which data is generated. Software sends a separate command to the hardware to initiate each DAC conversion. In NI-DAQmx, software-timed generations are referred to as on-demand timing. Software-timed generations are also referred to as immediate or static operations. They are typically used for writing out a single value, such as a constant DC voltage.

The following considerations apply to software-timed generations:

- If any AO channel on a module is used in a hardware-timed (waveform) task, no channels on that module can be used in a software-timed task
- You can configure software-timed generations to simultaneously update
- Only one simultaneous update task can run at a time
- A hardware-timed AO task and a simultaneous update AO task cannot run at the same time

Hardware-Timed Generations

With a hardware-timed generation, a digital hardware signal controls the rate of the generation. This signal can be generated internally on the chassis or provided externally.

Hardware-timed generations have several advantages over software-timed acquisitions:

- The time between samples can be much shorter
- The timing between samples is deterministic
- Hardware-timed acquisitions can use hardware triggering

Hardware-timed AO operations on the cDAQ chassis must be buffered.

Buffered Analog Output

A buffer is a temporary storage in computer memory for generated samples. In a buffered generation, data is moved from a host buffer to the cDAQ chassis onboard FIFO before it is written to the C Series modules.

One property of buffered I/O operations is sample mode. The sample mode can be either finite or continuous:

- **Finite**—Finite sample mode generation refers to the generation of a specific, predetermined number of data samples. After the specified number of samples is written out, the generation stops.
- **Continuous**—Continuous generation refers to the generation of an unspecified number of samples. Instead of generating a set number of data samples and stopping, a continuous generation continues until you stop the operation. There are three different continuous generation modes that control how the data is written. These modes are regeneration, onboard regeneration, and non-regeneration:
 - In regeneration mode, you define a buffer in host memory. The data from the buffer is continually downloaded to the FIFO to be written out. New data can be written to the host buffer at any time without disrupting the output. There is no limitation on the number of waveform channels supported by regeneration mode.
 - With onboard regeneration, the entire buffer is downloaded to the FIFO and regenerated from there. After the data is downloaded, new data cannot be written to the FIFO. To use onboard regeneration, the entire buffer must fit within the FIFO size. The advantage of using onboard regeneration is that it does not require communication with the main host memory once the operation is started, which prevents problems that may occur due to excessive bus traffic or operating system latency. There is a limit of 16 waveform channels for onboard regeneration.
 - With non-regeneration, old data is not repeated. New data must continually be written to the buffer. If the program does not write new data to the buffer at a fast enough rate to keep up with the generation, the buffer underflows and causes an error. There is no limitation on the number of waveform channels supported by non-regeneration.

Analog Output Triggering Signals

A trigger is a signal that causes an action, such as starting or stopping the acquisition of data. When you configure a trigger, you must decide how you want to produce the trigger and the action you want the trigger to cause. The cDAQ chassis supports internal software triggering, external digital triggering, analog triggering, and internal time triggering.

Analog output supports two different triggering actions: AO Start Trigger and AO Pause Trigger. An analog or digital signal can initiate these actions. Time can also initiate the Start Trigger. Up to two C Series parallel digital input modules can be used in any chassis slot to supply a digital trigger. An analog trigger can be supplied by some C Series analog modules.

Refer to the [AO Start Trigger Signal](#) and [AO Pause Trigger Signal](#) sections for more information about the analog output trigger signals.

Analog Output Timing Signals

The cDAQ chassis features the following AO (waveform generation) timing signals:

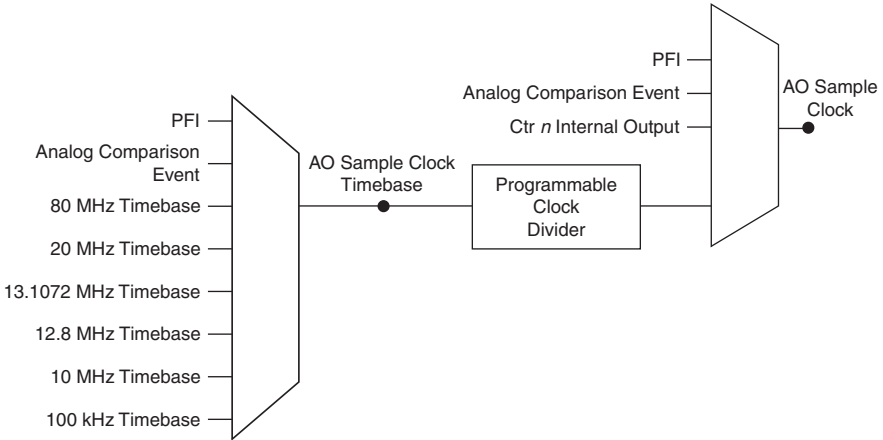
- [AO Sample Clock Signal](#)*
- [AO Sample Clock Timebase Signal](#)
- [AO Start Trigger Signal](#)*
- [AO Pause Trigger Signal](#)*

Signals with an * support digital filtering. Refer to the [PFI Filters](#) section of Chapter 5, [Digital Input/Output and PFI](#), for more information.

AO Sample Clock Signal

The AO sample clock (ao/SampleClock) signals when all the analog output channels in the task update. AO Sample Clock can be generated from external or internal sources as shown in Figure 4-1.

Figure 4-1. Analog Output Timing Options



Routing AO Sample Clock to an Output Terminal

You can route AO Sample Clock to any output PFI terminal. AO Sample Clock is active high by default.

AO Sample Clock Timebase Signal

The AO Sample Clock Timebase (ao/SampleClockTimebase) signal is divided down to provide a source for AO Sample Clock. AO Sample Clock Timebase can be generated from external or internal sources, and is not available as an output from the chassis.

Delta-Sigma Modules

The oversample clock is used as the AO Sample Clock Timebase. The cDAQ chassis supplies 10 MHz, 12.8 MHz, and 13.1072 MHz timebases. When delta-sigma modules with different oversample clock frequencies are used in an analog output task, the AO Sample Clock Timebase can use any of the available frequencies; by default, the fastest available is used. The update rate of all modules in the task is an integer divisor of the frequency of the AO Sample Clock Timebase.

AO Start Trigger Signal

Use the AO Start Trigger (ao/StartTrigger) signal to initiate a waveform generation. If you do not use triggers, you can begin a generation with a software command. If you are using an internal sample clock, you can specify a delay from the start trigger to the first sample. For more information, refer to the *NI-DAQmx Help*.

Using a Digital Source

To use AO Start Trigger, specify a source and a rising or falling edge. The source can be one of the following signals:

- A pulse initiated by host software
- Any PFI terminal
- AI Reference Trigger
- AI Start Trigger

The source also can be one of several internal signals on the cDAQ chassis. Refer to the *Device Routing in MAX* topic in the *NI-DAQmx Help* or the *LabVIEW Help* for more information.

You also can specify whether the waveform generation begins on the rising edge or falling edge of AO Start Trigger.

Using an Analog Source

Some C Series modules can generate a trigger based on an analog signal. In NI-DAQmx, this is called the Analog Comparison Event, depending on the trigger properties.

When you use an analog trigger source, the waveform generation begins on the first rising or falling edge of the Analog Comparison Event signal, depending on the trigger properties. The analog trigger circuit must be configured by a simultaneously running analog input task.



Note Depending on the C Series module capabilities, you may need two modules to utilize analog triggering.

Using a Time Source

To use AO Start Trigger signal with a time source, specify a specific time in NI-DAQmx. Refer to the *Timestamps* and *Time Triggering* topics in the *NI-DAQmx Help* for more information on accessing time-based features in the NI-DAQmx API.

Routing AO Start Trigger Signal to an Output Terminal

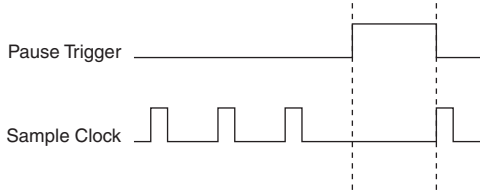
You can route AO Start Trigger to any output PFI terminal. The output is an active high pulse.

AO Pause Trigger Signal

Use the AO Pause Trigger signal (ao/PauseTrigger) to mask off samples in a DAQ sequence. When AO Pause Trigger is active, no samples occur, but AO Pause Trigger does not stop a sample that is in progress. The pause does not take effect until the beginning of the next sample.

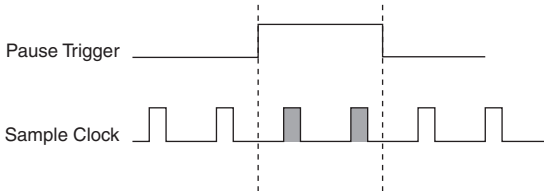
When you generate analog output signals, the generation pauses as soon as the pause trigger is asserted. If the source of the sample clock is the onboard clock, the generation resumes as soon as the pause trigger is deasserted, as shown in Figure 4-2.

Figure 4-2. AO Pause Trigger with the Onboard Clock Source



If you are using any signal other than the onboard clock as the source of the sample clock, the generation resumes as soon as the pause trigger is deasserted and another edge of the sample clock is received, as shown in Figure 4-3.

Figure 4-3. AO Pause Trigger with Other Signal Source



Using a Digital Source

To use AO Pause Trigger, specify a source and a polarity. The source can be a PFI signal or one of several other internal signals on the cDAQ chassis.

You also can specify whether the samples are paused when AO Pause Trigger is at a logic high or low level. Refer to the *Device Routing in MAX* topic in the *NI-DAQmx Help* or the *LabVIEW Help* for more information.

Using an Analog Source

Some C Series modules can generate a trigger based on an analog signal. In NI-DAQmx, this is called the Analog Comparison Event, depending on the trigger properties.

When you use an analog trigger source, the samples are paused when the Analog Comparison Event signal is at a high or low level, depending on the trigger properties. The analog trigger circuit must be configured by a simultaneously running analog input task.



Note Depending on the C Series module capabilities, you may need two modules to utilize analog triggering.

Analog Output Sync Pulse

You can use time as a trigger for sync pulses on delta-sigma C Series modules. To use a sync pulse with a time source, specify a specific time in NI-DAQmx. Refer to the *Time Triggering* topic in the *NI-DAQmx Help* for more information on accessing time-based features in the NI-DAQmx API.



Note To accurately synchronize delta-sigma devices in two or more separate tasks, you must specify the same sync pulse. Otherwise, a sync pulse is initiated by software implicitly, even if time start triggers are specified for the tasks. However, for multichassis tasks, the sync pulses and start triggers are automatically synchronized.

Minimizing Glitches on the Output Signal

When you use a DAC to generate a waveform, you may observe glitches on the output signal. These glitches are normal; when a DAC switches from one voltage to another, it produces glitches due to released charges. The largest glitches occur when the most significant bit of the DAC code changes. You can build a lowpass deglitching filter to remove some of these glitches, depending on the frequency and nature of the output signal. Go to ni.com/support for more information about minimizing glitches.

Using the Watchdog Timer

You can use the watchdog timer for analog output operations. Refer to the *Watchdog Timer* section of Chapter 1, *Getting Started with the cDAQ Chassis*, for more information.

Getting Started with AO Applications in Software

You can use the cDAQ chassis in the following analog output applications:

- Single-point (on-demand) generation
- Finite generation
- Continuous generation
- Waveform generation

For more information about programming analog output applications and triggers in software, refer the *LabVIEW Help* or to the *NI-DAQmx Help*.

Digital Input/Output and PFI

This chapter describes the digital input/output (DIO) and Programmable Function Interface (PFI) functionality available on the cDAQ chassis. Refer to the *Digital Input/Output* and *PFI* sections.

Digital Input/Output

To use digital I/O, install a digital C Series module into any slot on the cDAQ chassis. The I/O specifications, such as number of lines, logic levels, update rate, and line direction, are determined by the type of C Series module used. For more information, refer to the documentation included with your C Series module(s).

Serial DIO versus Parallel DIO Modules

Serial digital modules have more than eight lines of digital input/output. They can be used in any chassis slot and can perform the following tasks:

- Software-timed and hardware-timed digital input/output tasks

Parallel digital modules can be used in any chassis slot and can perform the following tasks:

- Software-timed and hardware-timed digital input/output tasks
- Counter/timer tasks (can be used in up to two slots)
- Accessing PFI signal tasks (can be used in up to two slots)
- Filter digital input signals

Software-timed and hardware-timed digital input/output tasks have the following restrictions:

- You cannot use parallel and serial modules together on the same hardware-timed task.
- You cannot use serial modules for triggering.
- You cannot do both static and timed tasks at the same time on a single serial module.
- You can only do hardware timing in one direction at a time on a serial bidirectional module.

To determine the capability of digital modules supported by the cDAQ controller, refer to the *C Series Support in NI-DAQmx* document by going to ni.com/info and entering the Info Code `rdcdaq`.

Static DIO

Each of the DIO lines can be used as a static DI or DO line. You can use static DIO lines to monitor or control digital signals on some C Series modules. Each DIO line can be individually configured as a digital input (DI) or digital output (DO), if the C Series module being used allows such configuration.

All samples of static DI lines and updates of static DO lines are software-timed.

Digital Input

You can acquire digital waveforms using either parallel or serial digital modules.

The DI waveform acquisition FIFO stores the digital samples. The cDAQ chassis samples the DIO lines on each rising or falling edge of the DI Sample Clock signal.

Digital Input Triggering Signals

A trigger is a signal that causes an action, such as starting or stopping the acquisition of data. When you configure a trigger, you must decide how you want to produce the trigger and the action you want the trigger to cause. The cDAQ chassis supports internal software triggering, external digital triggering, analog triggering, and internal time triggering.

Three triggers are available: Start Trigger, Reference Trigger, and Pause Trigger. An analog or digital trigger can initiate these three trigger actions. Time can also initiate the Start Trigger. Up to two C Series parallel digital input modules can be used in any chassis slot to supply a digital trigger. To find your module triggering options, refer to the documentation included with your C Series modules. For more information about using analog modules for triggering, refer to the [Analog Input Triggering Signals](#) section of Chapter 3, [Analog Input](#), and the [Analog Output Triggering Signals](#) section of Chapter 4, [Analog Output](#).

Refer to the [DI Start Trigger Signal](#), [DI Reference Trigger Signal](#), and [DI Pause Trigger Signal](#) sections for more information about the digital input trigger signals.

Digital Input Timing Signals

The cDAQ chassis features the following digital input timing signals:

- [DI Sample Clock Signal](#)*
- [DI Sample Clock Timebase Signal](#)
- [DI Start Trigger Signal](#)*
- [DI Reference Trigger Signal](#)*
- [DI Pause Trigger Signal](#)*

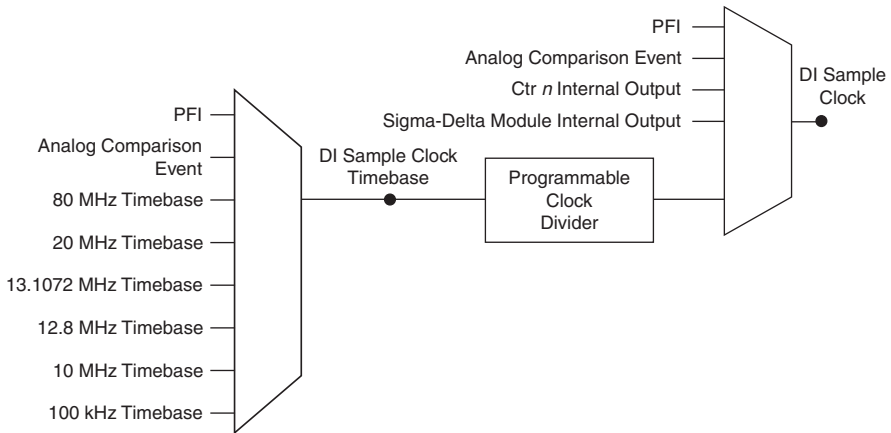
Signals with an * support digital filtering. Refer to the [PFI Filters](#) section for more information.

DI Sample Clock Signal

Use the DI Sample Clock (`di/SampleClock`) signal to sample digital I/O on any slot using parallel digital modules, and store the result in the DI waveform acquisition FIFO. If the cDAQ chassis receives a DI Sample Clock signal when the FIFO is full, it reports an overflow error to the host software.

A sample consists of one reading from each channel in the DI task. DI Sample Clock signals the start of a sample of all digital input channels in the task. DI Sample Clock can be generated from external or internal sources as shown in Figure 5-1.

Figure 5-1. DI Sample Clock Timing Options



Routing DI Sample Clock to an Output Terminal

You can route DI Sample Clock to any output PFI terminal.

DI Sample Clock Timebase Signal

The DI Sample Clock Timebase (`di/SampleClockTimebase`) signal is divided down to provide a source for DI Sample Clock. DI Sample Clock Timebase can be generated from external or internal sources. DI Sample Clock Timebase is not available as an output from the chassis.

Using an Internal Source

To use DI Sample Clock with an internal source, specify the signal source and the polarity of the signal. Use the following signals as the source:

- AI Sample Clock
- AO Sample Clock
- Counter n Internal Output
- Frequency Output
- DI Change Detection Output

Several other internal signals can be routed to DI Sample Clock. Refer to the *Device Routing in MAX* topic in the *NI-DAQmx Help* or the *LabVIEW Help* for more information.

Using an External Source

You can route the following signals as DI Sample Clock:

- Any PFI terminal
- Analog Comparison Event (an analog trigger)

You can sample data on the rising or falling edge of DI Sample Clock.

Routing DI Sample Clock to an Output Terminal

You can route DI Sample Clock to any output PFI terminal. The PFI circuitry inverts the polarity of DI Sample Clock before driving the PFI terminal.

DI Start Trigger Signal

Use the DI Start Trigger (`di/StartTrigger`) signal to begin a measurement acquisition. A measurement acquisition consists of one or more samples. If you do not use triggers, begin a measurement with a software command. Once the acquisition begins, configure the acquisition to stop in one of the following ways:

- When a certain number of points has been sampled (in finite mode)
- After a hardware reference trigger (in finite mode)
- With a software command (in continuous mode)

An acquisition that uses a start trigger (but not a reference trigger) is sometimes referred to as a posttriggered acquisition. That is, samples are measured only after the trigger.

When you are using an internal sample clock, you can specify a delay from the start trigger to the first sample.

Using a Digital Source

To use DI Start Trigger with a digital source, specify a source and a rising or falling edge. Use the following signals as the source:

- Any PFI terminal
- Counter n Internal Output

The source also can be one of several other internal signals on the cDAQ chassis. Refer to the *Device Routing in MAX* topic in the *NI-DAQmx Help* or the *LabVIEW Help* for more information.

Using an Analog Source

Some C Series modules can generate a trigger based on an analog signal. In NI-DAQmx, this is called the Analog Comparison Event. When you use an analog trigger source for DI Start Trigger, the acquisition begins on the first rising edge of the Analog Comparison Event signal.



Note Depending on the C Series module capabilities, you may need two modules to utilize analog triggering.

Using a Time Source

To use the Start Trigger signal with a time source, specify a specific time in NI-DAQmx. Refer to the *Timestamps* and *Time Triggering* topics in the *NI-DAQmx Help* for more information on accessing time-based features in the NI-DAQmx API.

Routing DI Start Trigger to an Output Terminal

You can route DI Start Trigger to any output PFI terminal. The output is an active high pulse.

DI Reference Trigger Signal

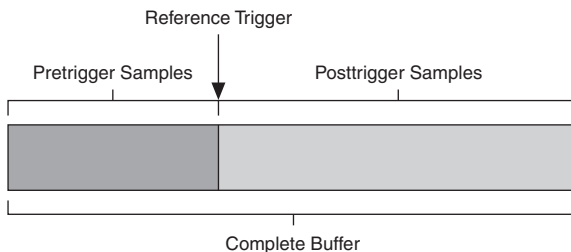
Use a reference trigger (di/ReferenceTrigger) signal to stop a measurement acquisition. To use a reference trigger, specify a buffer of finite size and a number of pretrigger samples (samples that occur before the reference trigger). The number of posttrigger samples (samples that occur after the reference trigger) desired is the buffer size minus the number of pretrigger samples.

Once the acquisition begins, the cDAQ chassis writes samples to the buffer. After the cDAQ chassis captures the specified number of pretrigger samples, the chassis begins to look for the reference trigger condition. If the reference trigger condition occurs before the cDAQ chassis captures the specified number of pretrigger samples, the chassis ignores the condition.

If the buffer becomes full, the cDAQ chassis continuously discards the oldest samples in the buffer to make space for the next sample. This data can be accessed (with some limitations) before the cDAQ chassis discards it. Refer to the *Can a Pretriggered Acquisition be Continuous?* document for more information. To access this document, go to ni.com/info and enter the Info Code `rdcanq`.

When the reference trigger occurs, the cDAQ chassis continues to write samples to the buffer until the buffer contains the number of posttrigger samples desired. Figure 5-2 shows the final buffer.

Figure 5-2. Reference Trigger Final Buffer



Using a Digital Source

To use DI Reference Trigger with a digital source, specify a source and a rising or falling edge. Either PFI or one of several internal signals on the cDAQ chassis can provide the source. Refer to the *Device Routing in MAX* topic in the *NI-DAQmx Help* or the *LabVIEW Help* for more information.

Using an Analog Source

Some C Series modules can generate a trigger based on an analog signal. In NI-DAQmx, this is called the Analog Comparison Event.

When you use an analog trigger source, the acquisition stops on the first rising or falling edge of the Analog Comparison Event signal, depending on the trigger properties.



Note Depending on the C Series module capabilities, you may need two modules to utilize analog triggering.

Routing DI Reference Trigger Signal to an Output Terminal

You can route DI Reference Trigger to any output PFI terminal. Reference Trigger is active high by default.

DI Pause Trigger Signal

You can use the DI Pause Trigger (di/PauseTrigger) signal to pause and resume a measurement acquisition. The internal sample clock pauses while the external trigger signal is active and resumes when the signal is inactive. You can program the active level of the pause trigger to be high or low.

Using a Digital Source

To use DI Pause Trigger, specify a source and a polarity. The source can be either from PFI or one of several other internal signals on your cDAQ chassis. Refer to the *Device Routing in MAX* topic in the *NI-DAQmx Help* or the *LabVIEW Help* for more information.

Using an Analog Source

Some C Series modules can generate a trigger based on an analog signal. In NI-DAQmx, this is called the Analog Comparison Event.

When you use an analog trigger source, the internal sample clock pauses when the Analog Comparison Event signal is low and resumes when the signal goes high (or vice versa).



Note Depending on the C Series module capabilities, you may need two modules to utilize analog triggering.



Note Pause triggers are only sensitive to the level of the source, not the edge.

Digital Input Filters

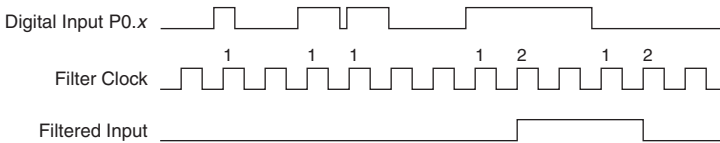
When performing a hardware timed task, you can enable a programmable debouncing filter on the digital input lines of a parallel DIO module. All lines on a module must share the same filter configuration. When the filter is enabled, the chassis samples the inputs with a user-configured Filter Clock derived from the chassis timebase. This is used to determine whether a pulse is propagated to the rest of the system. However, the filter also introduces jitter onto the input signal.

In NI-DAQmx, the filter is programmed by setting the minimum pulse width, T_p^1 , that will pass the filter, and is selectable in 25 ns increments. The appropriate Filter Clock is selected by the driver. Pulses of length less than $1/2 T_p$ will be rejected, and the filtering behavior of lengths between $1/2 T_p$ and $1 T_p$ are not defined because they depend on the phase of the Filter Clock relative to the input signal.

Figure 5-3 shows an example of low-to-high transitions of the input signal. High-to-low transitions work similarly.

Assume that an input terminal has been low for a long time. The input terminal then changes from low to high, but glitches several times. When the filter clock has sampled the signal high on consecutive rising edges, the low-to-high transition is propagated to the rest of the circuit.

Figure 5-3. Filter Example



Getting Started with DI Applications in Software

You can use the cDAQ chassis in the following digital input applications:

- Single-point acquisition
- Finite acquisition
- Continuous acquisition

For more information about programming digital input applications and triggers in software, refer to the *NI-DAQmx Help* or the *LabVIEW Help* for more information.

¹ T_p is a nominal value; the accuracy of the chassis timebase and I/O distortion will affect this value.

Change Detection Event

The Change Detection Event is the signal generated when a change on the rising or falling edge lines is detected by the change detection task.

Routing Change Detection Event to an Output Terminal

You can route `ChangeDetectionEvent` to any output PFI terminal.

Change Detection Acquisition

You can configure lines on parallel digital modules to detect rising or falling edges. When one or more of these lines sees the edge specified for that line, the cDAQ chassis samples all the lines in the task. The rising and falling edge lines do not necessarily have to be in the task.

Change detection acquisitions can be buffered or nonbuffered:

- **Nonbuffered Change Detection Acquisition**—In a nonbuffered acquisition, data is transferred from the cDAQ chassis directly to a PC buffer.
- **Buffered Change Detection Acquisition**—A buffer is a temporary storage in computer memory for acquired samples. In a buffered acquisition, data is stored in the cDAQ chassis onboard FIFO then transferred to a PC buffer. Buffered acquisitions typically allow for much faster transfer rates than nonbuffered acquisitions because data accumulates and is transferred in blocks, rather than one sample at a time.

Digital Output

To generate digital output, install a digital output C Series module in any slot on the cDAQ chassis. The generation specifications, such as the number of channels, channel configuration, update rate, and output range, are determined by the type of C Series module used. For more information, refer to the documentation included with your C Series module(s).

With parallel digital output modules (formerly known as hardware-timed modules), you can do multiple software-timed tasks on a single module, as well as mix hardware-timed and software-timed digital output tasks on a single module. On serial digital output modules (formerly known as static digital output modules), you cannot mix hardware-timed and software-timed tasks, but you can run multiple software-timed tasks.

You may have a hardware-timed task or a software-timed task include channels from multiple modules, but a hardware-timed task may not include a mix of channels from both parallel and serial modules.

Digital Output Data Generation Methods

When performing a digital output operation, you either can perform software-timed or hardware-timed generations. Hardware-timed generations must be buffered.

Software-Timed Generations

With a software-timed generation, software controls the rate at which data is generated. Software sends a separate command to the hardware to initiate each digital generation. In NI-DAQmx, software-timed generations are referred to as on-demand timing. Software-timed generations are also referred to as immediate or static operations. They are typically used for writing out a single value.

For software-timed generations, if any DO channel on a serial digital module is used in a hardware-timed task, no channels on that module can be used in a software-timed task.

Hardware-Timed Generations

With a hardware-timed generation, a digital hardware signal controls the rate of the generation. This signal can be generated internally on the chassis or provided externally.

Hardware-timed generations have several advantages over software-timed acquisitions:

- The time between samples can be much shorter.
- The timing between samples is deterministic.
- Hardware-timed acquisitions can use hardware triggering.

Hardware-timed DO operations on the cDAQ chassis must be buffered.

Buffered Digital Output

A buffer is a temporary storage in computer memory for generated samples. In a buffered generation, data is moved from a host buffer to the cDAQ chassis onboard FIFO before it is written to the C Series module(s).

One property of buffered I/O operations is sample mode. The sample mode can be either finite or continuous:

- **Finite**—Finite sample mode generation refers to the generation of a specific, predetermined number of data samples. After the specified number of samples is written out, the generation stops.
- **Continuous**—Continuous generation refers to the generation of an unspecified number of samples. Instead of generating a set number of data samples and stopping, a continuous generation continues until you stop the operation. There are three different continuous generation modes that control how the data is written. These modes are regeneration, onboard regeneration, and non-regeneration:
 - In regeneration mode, you define a buffer in host memory. The data from the buffer is continually downloaded to the FIFO to be written out. New data can be written to the host buffer at any time without disrupting the output.

- With onboard regeneration, the entire buffer is downloaded to the FIFO and regenerated from there. After the data is downloaded, new data cannot be written to the FIFO. To use onboard regeneration, the entire buffer must fit within the FIFO size. The advantage of using onboard regeneration is that it does not require communication with the main host memory once the operation is started, which prevents problems that may occur due to excessive bus traffic or operating system latency.



Note Install parallel DO modules in slots 1 through 4 to maximize accessible FIFO size because using a module in slots 5 through 8 will reduce the accessible FIFO size.

- With non-regeneration, old data is not repeated. New data must continually be written to the buffer. If the program does not write new data to the buffer at a fast enough rate to keep up with the generation, the buffer underflows and causes an error.

Digital Output Triggering Signals

A trigger is a signal that causes an action, such as starting or stopping the acquisition of data. When you configure a trigger, you must decide how you want to produce the trigger and the action you want the trigger to cause. The cDAQ chassis supports internal software triggering, external digital triggering, analog triggering, and internal time triggering.

Digital output supports two different triggering actions: DO Start Trigger and DO Pause Trigger. A digital or analog trigger can initiate these actions. Time can also initiate the Start Trigger. Any PFI terminal can supply a digital trigger, and some C Series analog modules can supply an analog trigger. For more information, refer to the documentation included with your C Series module(s).

Refer to the *DO Start Trigger Signal* and *DO Pause Trigger Signal* sections for more information about the digital output trigger signals.

Digital Output Timing Signals

The cDAQ chassis features the following DO timing signals:

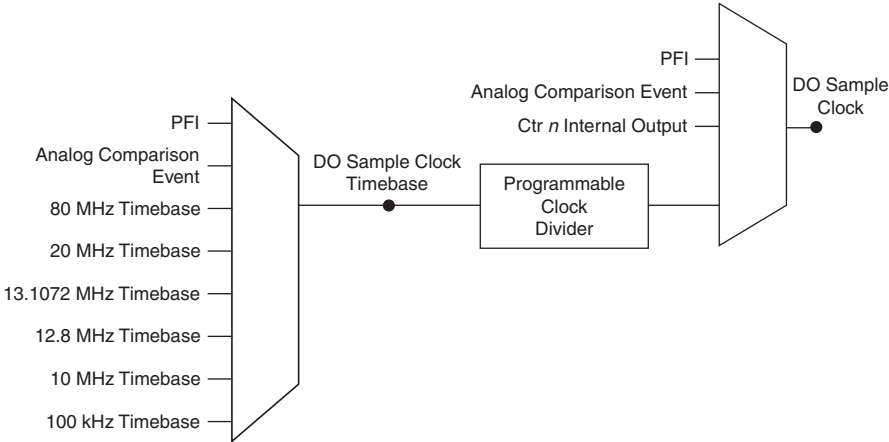
- *DO Sample Clock Signal**
- *DO Sample Clock Timebase Signal*
- *DO Start Trigger Signal**
- *DO Pause Trigger Signal**

Signals with an * support digital filtering. Refer to the *PFI Filters* section for more information.

DO Sample Clock Signal

The DO Sample Clock (do/SampleClock) signals when all the digital output channels in the task update. DO Sample Clock can be generated from external or internal sources as shown in Figure 5-4.

Figure 5-4. Digital Output Timing Options



Routing DO Sample Clock to an Output Terminal

You can route DO Sample Clock to any output PFI terminal. DO Sample Clock is active high by default.

DO Sample Clock Timebase Signal

The DO Sample Clock Timebase (do/SampleClockTimebase) signal is divided down to provide a source for DO Sample Clock. DO Sample Clock Timebase can be generated from external or internal sources, and is not available as an output from the chassis.

DO Start Trigger Signal

Use the DO Start Trigger (do/StartTrigger) signal to initiate a waveform generation. If you do not use triggers, you can begin a generation with a software command. If you are using an internal sample clock, you can specify a delay from the start trigger to the first sample. For more information, refer to the *NI-DAQmx Help*.

Using a Digital Source

To use DO Start Trigger, specify a source and a rising or falling edge. The source can be one of the following signals:

- A pulse initiated by host software
- Any PFI terminal
- AI Reference Trigger
- AI Start Trigger

The source also can be one of several internal signals on the cDAQ chassis. Refer to the *Device Routing in MAX* topic in the *NI-DAQmx Help* or the *LabVIEW Help* for more information.

You also can specify whether the waveform generation begins on the rising edge or falling edge of DO Start Trigger.

Using an Analog Source

Some C Series modules can generate a trigger based on an analog signal. In NI-DAQmx, this is called the Analog Comparison Event, depending on the trigger properties.

When you use an analog trigger source, the waveform generation begins on the first rising or falling edge of the Analog Comparison Event signal, depending on the trigger properties. The analog trigger circuit must be configured by a simultaneously running analog input task.



Note Depending on the C Series module capabilities, you may need two modules to utilize analog triggering.

Using a Time Source

To use the Start Trigger signal with a time source, specify a specific time in NI-DAQmx. Refer to the *Timestamps* and *Time Triggering* topics in the *NI-DAQmx Help* for more information on accessing time-based features in the NI-DAQmx API.

Routing DO Start Trigger Signal to an Output Terminal

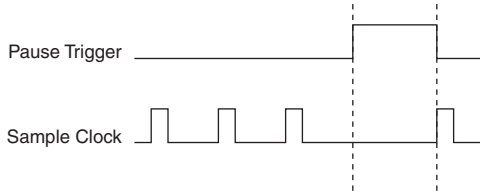
You can route DO Start Trigger to any output PFI terminal. The output is an active high pulse.

DO Pause Trigger Signal

Use the DO Pause Trigger signal (`do/PauseTrigger`) to mask off samples in a DAQ sequence. When DO Pause Trigger is active, no samples occur, but DO Pause Trigger does not stop a sample that is in progress. The pause does not take effect until the beginning of the next sample.

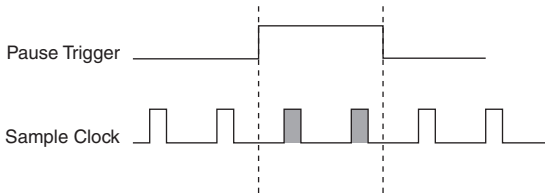
When you generate digital output signals, the generation pauses as soon as the pause trigger is asserted. If the source of the sample clock is the onboard clock, the generation resumes as soon as the pause trigger is deasserted, as shown in Figure 5-5.

Figure 5-5. DO Pause Trigger with the Onboard Clock Source



If you are using any signal other than the onboard clock as the source of the sample clock, the generation resumes as soon as the pause trigger is deasserted and another edge of the sample clock is received, as shown in Figure 5-6.

Figure 5-6. DO Pause Trigger with Other Signal Source



Using a Digital Source

To use DO Pause Trigger, specify a source and a polarity. The source can be a PFI signal or one of several other internal signals on the cDAQ chassis.

You also can specify whether the samples are paused when DO Pause Trigger is at a logic high or low level. Refer to the *Device Routing in MAX* topic in the *NI-DAQmx Help* or the *LabVIEW Help* for more information.

Using an Analog Source

Some C Series modules can generate a trigger based on an analog signal. In NI-DAQmx, this is called the Analog Comparison Event, depending on the trigger properties.

When you use an analog trigger source, the samples are paused when the Analog Comparison Event signal is at a high or low level, depending on the trigger properties. The analog trigger circuit must be configured by a simultaneously running analog input task.



Note Depending on the C Series module capabilities, you may need two modules to utilize analog triggering.

Using the Watchdog Timer

You can use the watchdog timer for digital output operations. Refer to the *Watchdog Timer* section of Chapter 1, *Getting Started with the cDAQ Chassis*, for more information.

Getting Started with DO Applications in Software

You can use the cDAQ chassis in the following digital output applications:

- Single-point (on-demand) generation
- Finite generation
- Continuous generation

For more information about programming digital output applications and triggers in software, refer the *LabVIEW Help* or to the *NI-DAQmx Help*.

Digital Input/Output Configuration for NI 9401

When you change the configuration of lines on a NI 9401 digital module between input and output, NI-DAQmx temporarily reserves all of the lines on the module for communication to send the module a line configuration command. For this reason, you must reserve the task in advance through the DAQmx Control Task before any task has started. If another task or route is actively using the module, to avoid interfering with the other task, NI-DAQmx generates an error instead of sending the line configuration command. During the line configuration command, the output lines are maintained without glitching.

PFI

You can configure channels of a parallel digital module as Programmable Function Interface (PFI) terminals. The cDAQ chassis also provides one terminal for PFI. Up to two digital modules can be used to access PFI terminals in a single chassis.

You can configure each PFI individually as the following:

- Timing input signal for AI, AO, DI, DO, or counter/timer functions
- Timing output signal from AI, AO, DI, DO, or counter/timer functions

PFI Filters

You can enable a programmable debouncing filter on each PFI signal. When the filter is enabled, the chassis samples the inputs with a user-configured Filter Clock derived from the chassis timebase. This is used to determine whether a pulse is propagated to the rest of the circuit. However, the filter also introduces jitter onto the PFI signal.

The following is an example of low-to-high transitions of the input signal. High-to-low transitions work similarly.

Assume that an input terminal has been low for a long time. The input terminal then changes from low to high, but glitches several times. When the Filter Clock has sampled the signal high on N consecutive edges, the low-to-high transition is propagated to the rest of the circuit. The value of N depends on the filter setting, as shown in Table 5-1.

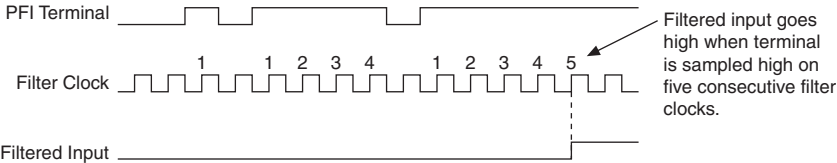
Table 5-1. Selectable PFI Filter Settings

Filter Setting	Filter Clock	Jitter	Min Pulse Width* to Pass	Max Pulse Width* to Not Pass
112.5 ns (short)	80 MHz	12.5 ns	112.5 ns	100 ns
6.4 μ s (medium)	80 MHz	12.5 ns	6.4 μ s	6.3875 μ s
2.56 ms (high)	100 kHz	10 μ s	2.56 ms	2.55 ms
Custom	User-configurable	1 Filter Clock period	T_{user}	$T_{user} - (1 \text{ Filter Clock period})$

* Pulse widths are nominal values; the accuracy of the chassis timebase and I/O distortion will affect these values.

On power up, the filters are disabled. Figure 5-7 shows an example of a low-to-high transition on an input that has a custom filter set to $N = 5$.

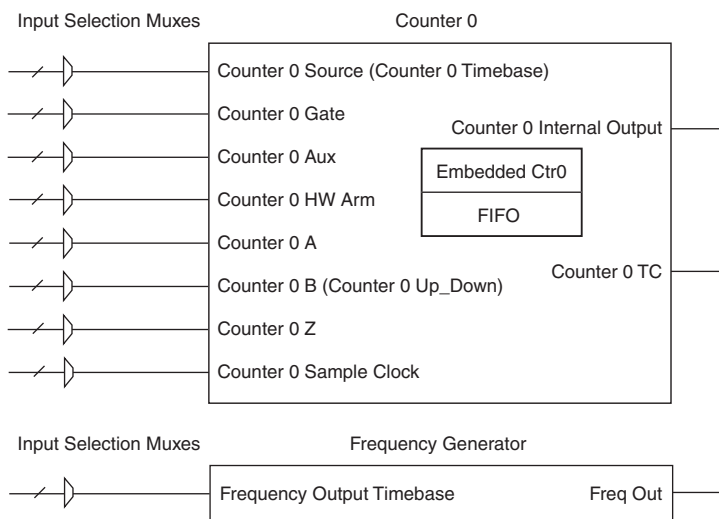
Figure 5-7. PFI Filter Example



Counters

The cDAQ chassis has four general-purpose 32-bit counter/timers and one frequency generator. The general-purpose counter/timers can be used for many measurement and pulse generation applications. Figure 6-1 shows the cDAQ chassis Counter 0 and the frequency generator. All four counters on the cDAQ chassis are identical.

Figure 6-1. Chassis Counter 0 and Frequency Generator



Counters have eight input signals, although in most applications only a few inputs are used.

For information about connecting counter signals, refer to the [Default Counter/Timer Routing](#) section.

Each counter has a FIFO that can be used for buffered acquisition and generation. Each counter also contains an embedded counter (Embedded Ctr n) for use in what are traditionally two-counter measurements and generations. The embedded counters cannot be programmed independent of the main counter; signals from the embedded counters are not routable.

Counter Timing Engine

Unlike analog input, analog output, digital input, and digital output, the cDAQ chassis counters do not have the ability to divide down a timebase to produce an internal counter sample clock. For sample clocked operations, an external signal must be provided to supply a clock source. The source can be any of the following signals:

- AI Sample Clock
- AI Start Trigger
- AI Reference Trigger
- AO Sample Clock
- DI Sample Clock
- DI Start Trigger
- DO Sample Clock
- CTR n Internal Output
- Freq Out
- PFI
- Change Detection Event
- Analog Comparison Event

Not all timed counter operations require a sample clock. For example, a simple buffered pulse width measurement latches in data on each edge of a pulse. For this measurement, the measured signal determines when data is latched in. These operations are referred to as implicit timed operations. However, many of the same measurements can be clocked at an interval with a sample clock. These are referred to as sample clocked operations. Table 6-1 shows the different options for the different measurements.

Table 6-1. Counter Timing Measurements

Measurement	Implicit Timing Support	Sample Clocked Timing Support
Buffered Edge Count	No	Yes
Buffered Pulse Width	Yes	Yes
Buffered Pulse	Yes	Yes
Buffered Semi-Period	Yes	No
Buffered Frequency	Yes	Yes
Buffered Period	Yes	Yes
Buffered Position	No	Yes
Buffered Two-Signal Edge Separation	Yes	Yes

Counter Triggering

Counters support three different triggering actions:

- **Arm Start Trigger**—To begin any counter input or output function, you must first enable, or arm, the counter. Software can arm a counter or configure counters to be armed on a hardware signal or a specific time. Software calls this hardware signal the Arm Start Trigger. Internally, software routes the Arm Start Trigger to the Counter n HW Arm input of the counter.

For counter output operations, you can use it in addition to the start and pause triggers. For counter input operations, you can use the arm start trigger to have start trigger-like behavior. The arm start trigger can be used for synchronizing multiple counter input and output tasks.

When using an arm start trigger, the arm start trigger source is routed to the Counter n HW Arm signal.

- **Start Trigger**—You can use the start trigger for counter output functions. You can configure a start trigger to begin a finite or continuous pulse generation. After a continuous generation has triggered, the pulses continue to generate until you stop the operation in software. For finite generations, the specified number of pulses is generated and the generation stops unless you use the retriggerable attribute. When you use this attribute, subsequent start triggers cause the generation to restart.

When using a start trigger, the start trigger source is routed to the Counter n Gate signal input of the counter. Possible triggers for counter output operations are a hardware signal or a specific time.

For counter input functions, you can use the arm start trigger to have start trigger-like behavior.

- **Pause Trigger**—You can use pause triggers in edge counting and continuous pulse generation applications. For edge counting acquisitions, the counter stops counting edges while the external trigger signal is low and resumes when the signal goes high or vice versa. For continuous pulse generations, the counter stops generating pulses while the external trigger signal is low and resumes when the signal goes high or vice versa.

When using a pause trigger, the pause trigger source is routed to the Counter n Gate signal input of the counter.

Counter Input Applications

The following sections list the various counter input applications available on the cDAQ chassis:

- [Counting Edges](#)
- [Pulse-Width Measurement](#)
- [Pulse Measurement](#)
- [Semi-Period Measurement](#)
- [Frequency Measurement](#)

- [Period Measurement](#)
- [Position Measurement](#)

Counting Edges

In edge counting applications, the counter counts edges on its Source after the counter is armed. You can configure the counter to count rising or falling edges on its Source input. You also can control the direction of counting (up or down), as described in the [Controlling the Direction of Counting](#) section. The counter values can be read on demand or with a sample clock.

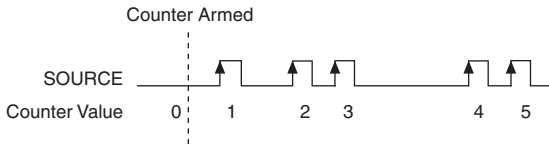
Refer to the following sections for more information about edge counting options:

- [Single Point \(On-Demand\) Edge Counting](#)
- [Buffered \(Sample Clock\) Edge Counting](#)

Single Point (On-Demand) Edge Counting

With single point (on-demand) edge counting, the counter counts the number of edges on the Source input after the counter is armed. On-demand refers to the fact that software can read the counter contents at any time without disturbing the counting process. Figure 6-2 shows an example of single point edge counting.

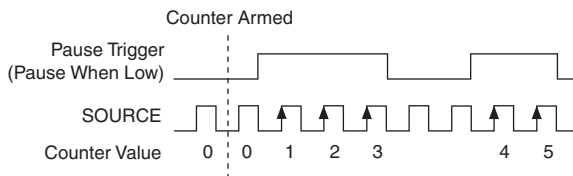
Figure 6-2. Single Point (On-Demand) Edge Counting



You also can use a pause trigger to pause (or gate) the counter. When the pause trigger is active, the counter ignores edges on its Source input. When the pause trigger is inactive, the counter counts edges normally.

You can route the pause trigger to the Gate input of the counter. You can configure the counter to pause counting when the pause trigger is high or when it is low. Figure 6-3 shows an example of on-demand edge counting with a pause trigger.

Figure 6-3. Single Point (On-Demand) Edge Counting with Pause Trigger



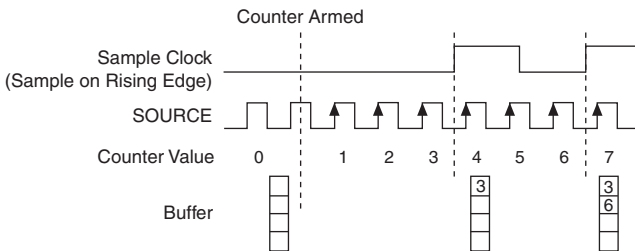
Buffered (Sample Clock) Edge Counting

With buffered edge counting (edge counting using a sample clock), the counter counts the number of edges on the Source input after the counter is armed. The value of the counter is sampled on each active edge of a sample clock and stored in the FIFO. The STC3 transfers the sampled values to host memory using a high-speed data stream.

The count values returned are the cumulative counts since the counter armed event. That is, the sample clock does not reset the counter. You can configure the counter to sample on the rising or falling edge of the sample clock.

Figure 6-4 shows an example of buffered edge counting. Notice that counting begins when the counter is armed, which occurs before the first active edge on Sample Clock.

Figure 6-4. Buffered (Sample Clock) Edge Counting



Controlling the Direction of Counting

In edge counting applications, the counter can count up or down. You can configure the counter to do the following:

- Always count up
- Always count down
- Count up when the Counter 0 B input is high; count down when it is low

For information about connecting counter signals, refer to the [Default Counter/Timer Routing](#) section.

Pulse-Width Measurement

In pulse-width measurements, the counter measures the width of a pulse on its Gate input signal. You can configure the counter to measure the width of high pulses or low pulses on the Gate signal.

You can route an internal or external periodic clock signal (with a known period) to the Source input of the counter. The counter counts the number of rising (or falling) edges on the Source signal while the pulse on the Gate signal is active.

You can calculate the pulse width by multiplying the period of the Source signal by the number of edges returned by the counter.

A pulse-width measurement will be accurate even if the counter is armed while a pulse train is in progress. If a counter is armed while the pulse is in the active state, it will wait for the next transition to the active state to begin the measurement.

Refer to the following sections for more information about cDAQ chassis pulse-width measurement options:

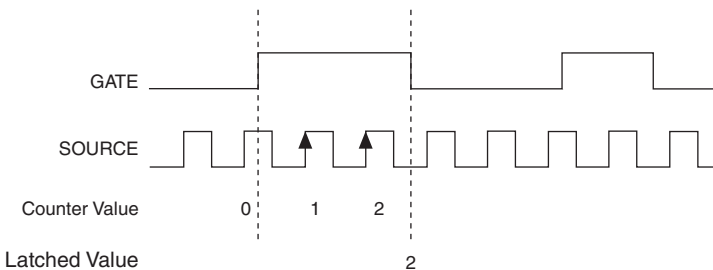
- [Single Pulse-Width Measurement](#)
- [Implicit Buffered Pulse-Width Measurement](#)
- [Sample Clocked Buffered Pulse-Width Measurement](#)

Single Pulse-Width Measurement

With single pulse-width measurement, the counter counts the number of edges on the Source input while the Gate input remains active. When the Gate input goes inactive, the counter stores the count in the FIFO and ignores other edges on the Gate and Source inputs. Software then reads the stored count.

Figure 6-5 shows an example of a single pulse-width measurement.

Figure 6-5. Single Pulse-Width Measurement



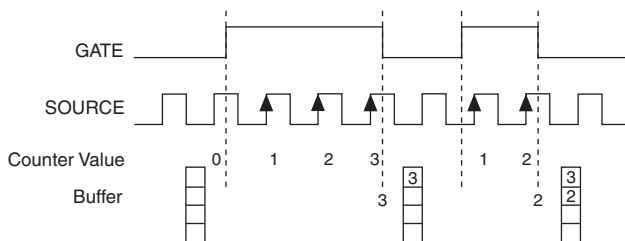
Implicit Buffered Pulse-Width Measurement

An implicit buffered pulse-width measurement is similar to single pulse-width measurement, but buffered pulse-width measurement takes measurements over multiple pulses.

The counter counts the number of edges on the Source input while the Gate input remains active. On each trailing edge of the Gate signal, the counter stores the count in the counter FIFO. The STC3 transfers the sampled values to host memory using a high-speed data stream.

Figure 6-6 shows an example of an implicit buffered pulse-width measurement.

Figure 6-6. Implicit Buffered Pulse-Width Measurement



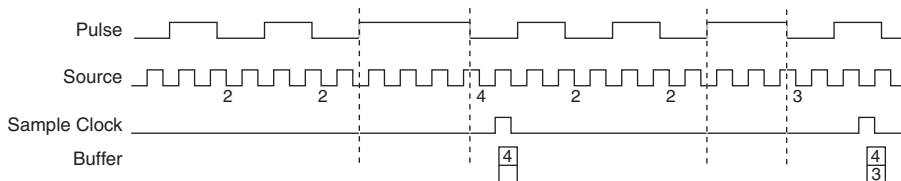
Sample Clocked Buffered Pulse-Width Measurement

A sample clocked buffered pulse-width measurement is similar to single pulse-width measurement, but buffered pulse-width measurement takes measurements over multiple pulses correlated to a sample clock.

The counter counts the number of edges on the Source input while the Gate input remains active. On each sample clock edge, the counter stores the count in the FIFO of the last pulse width to complete. The STC3 transfers the sampled values to host memory using a high-speed data stream.

Figure 6-7 shows an example of a sample clocked buffered pulse-width measurement.

Figure 6-7. Sample Clocked Buffered Pulse-Width Measurement



Note If a pulse does not occur between sample clocks, an overrun error occurs.

For information about connecting counter signals, refer to the [Default Counter/Timer Routing](#) section.

Pulse Measurement

In pulse measurements, the counter measures the high and low time of a pulse on its Gate input signal after the counter is armed. A pulse is defined in terms of its high and low time, high and low ticks or frequency and duty cycle. This is similar to the pulse-width measurement, except that the inactive pulse is measured as well.

You can route an internal or external periodic clock signal (with a known period) to the Source input of the counter. The counter counts the number of rising (or falling) edges occurring on the Source input between two edges of the Gate signal.

You can calculate the high and low time of the Gate input by multiplying the period of the Source signal by the number of edges returned by the counter.

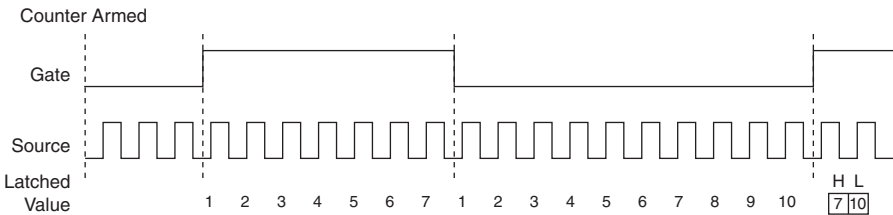
Refer to the following sections for more information about cDAQ chassis pulse measurement options:

- [Single Pulse Measurement](#)
- [Implicit Buffered Pulse Measurement](#)
- [Sample Clocked Buffered Pulse Measurement](#)

Single Pulse Measurement

Single (on-demand) pulse measurement is equivalent to two single pulse-width measurements on the high (H) and low (L) ticks of a pulse, as shown in Figure 6-8.

Figure 6-8. Single (On-Demand) Pulse Measurement



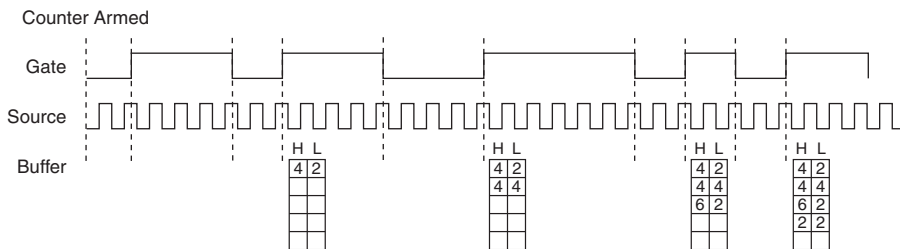
Implicit Buffered Pulse Measurement

In an implicit buffered pulse measurement, on each edge of the Gate signal, the counter stores the count in the FIFO. The STC3 transfers the sampled values to host memory using a high-speed data stream.

The counter begins counting when it is armed. The arm usually occurs between edges on the Gate input but the counting does not start until the desired edge. You can select whether to read the high pulse or low pulse first using the **StartingEdge** property in NI-DAQmx.

Figure 6-9 shows an example of an implicit buffered pulse measurement.

Figure 6-9. Implicit Buffered Pulse Measurement



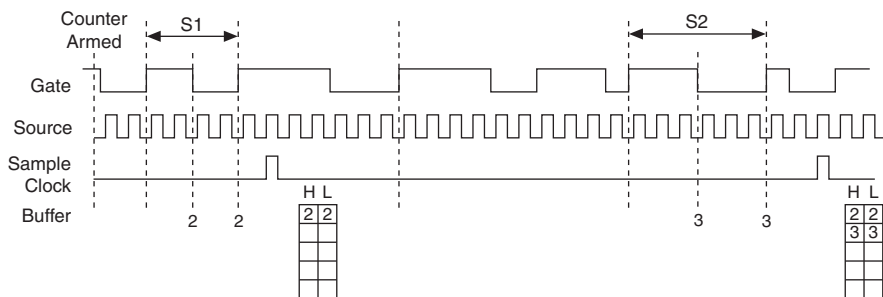
Sample Clocked Buffered Pulse Measurement

A sample clocked buffered pulse measurement is similar to single pulse measurement, but a buffered pulse measurement takes measurements over multiple pulses correlated to a sample clock.

The counter performs a pulse measurement on the Gate. On each sample clock edge, the counter stores the high and low ticks in the FIFO of the last pulse to complete. The STC3 transfers the sampled values to host memory using a high-speed data stream.

Figure 6-10 shows an example of a sample clocked buffered pulse measurement.

Figure 6-10. Sample Clocked Buffered Pulse Measurement



Note If a pulse does not occur between sample clocks, an overrun error occurs.

For information about connecting counter signals, refer to the [Default Counter/Timer Routing](#) section.

Semi-Period Measurement

In semi-period measurements, the counter measures a semi-period on its Gate input signal after the counter is armed. A semi-period is the time between any two consecutive edges on the Gate input.

You can route an internal or external periodic clock signal (with a known period) to the Source input of the counter. The counter counts the number of rising (or falling) edges occurring on the Source input between two edges of the Gate signal.

You can calculate the semi-period of the Gate input by multiplying the period of the Source signal by the number of edges returned by the counter.

Refer to the following sections for more information about semi-period measurement options:

- [Single Semi-Period Measurement](#)
- [Implicit Buffered Semi-Period Measurement](#)

Refer to the [Pulse versus Semi-Period Measurements](#) section for information about the differences between semi-period measurement and pulse measurement.

Single Semi-Period Measurement

Single semi-period measurement is equivalent to single pulse-width measurement.

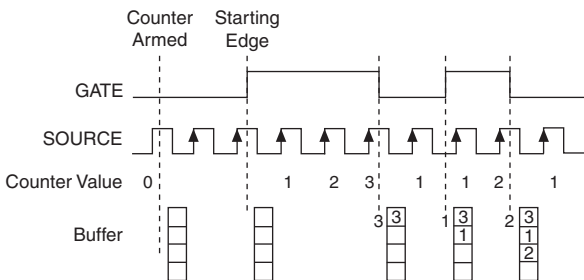
Implicit Buffered Semi-Period Measurement

In implicit buffered semi-period measurements, on each edge of the Gate signal, the counter stores the count in the FIFO. The STC3 transfers the sampled values to host memory using a high-speed data stream.

The counter begins counting when it is armed. The arm usually occurs between edges on the Gate input. You can select whether to read the first active low or active high semi-period using the `CI.SemiPeriod.StartingEdge` property in NI-DAQmx.

Figure 6-11 shows an example of an implicit buffered semi-period measurement.

Figure 6-11. Implicit Buffered Semi-Period Measurement



For information about connecting counter signals, refer to the [Default Counter/Timer Routing](#) section.

Pulse versus Semi-Period Measurements

In hardware, pulse measurement and semi-period are the same measurement. Both measure the high and low times of a pulse. The functional difference between the two measurements is how the data is returned. In a semi-period measurement, each high or low time is considered one point of data and returned in units of seconds or ticks. In a pulse measurement, each pair of high and low times is considered one point of data and returned as a paired sample in units of frequency and duty cycle, high and low time or high and low ticks. When reading data, 10 points in a semi-period measurement will get an array of five high times and five low times. When you read 10 points in a pulse measurement, you get an array of 10 pairs of high and low times.

Also, pulse measurements support sample clock timing while semi-period measurements do not.

Frequency Measurement

You can use the counters to measure frequency in several different ways. Refer to the following sections for information about cDAQ chassis frequency measurement options:

- [*Low Frequency with One Counter*](#)
- [*High Frequency with Two Counters*](#)
- [*Large Range of Frequencies with Two Counters*](#)
- [*Sample Clocked Buffered Frequency Measurement*](#)

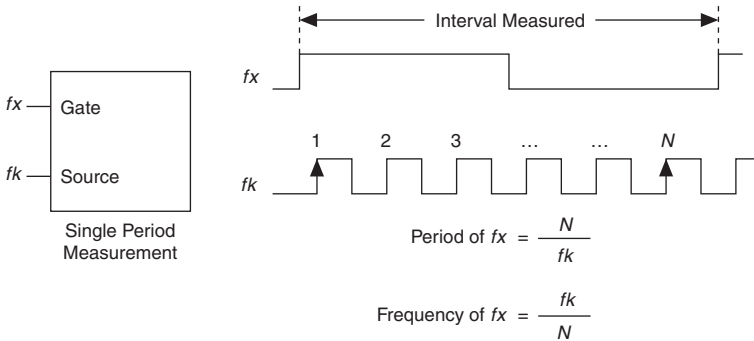
Low Frequency with One Counter

For low frequency measurements with one counter, you measure one period of your signal using a known timebase.

You can route the signal to measure (f_x) to the Gate of a counter. You can route a known timebase (f_k) to the Source of the counter. The known timebase can be an onboard timebase, such as 80 MHz Timebase, 20 MHz Timebase, or 100 kHz Timebase, or any other signal with a known rate.

You can configure the counter to measure one period of the gate signal. The frequency of f_x is the inverse of the period. Figure 6-12 illustrates this method.

Figure 6-12. Low Frequency with One Counter



High Frequency with Two Counters

For high frequency measurements with two counters, you measure one pulse of a known width using your signal and derive the frequency of your signal from the result.



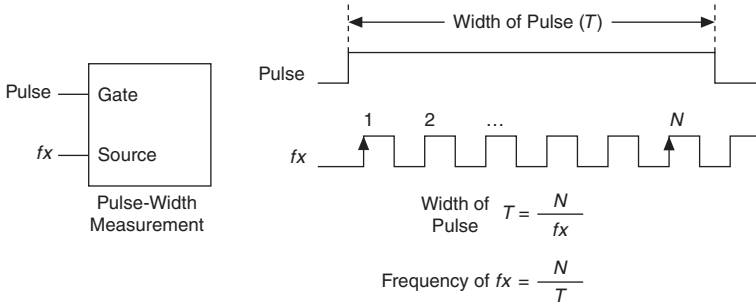
Note Counter 0 is always paired with Counter 1. Counter 2 is always paired with Counter 3.

In this method, you route a pulse of known duration (T) to the Gate of a counter. You can generate the pulse using a second counter. You also can generate the pulse externally and connect it to a PFI terminal. You only need to use one counter if you generate the pulse externally.

Route the signal to measure (f_x) to the Source of the counter. Configure the counter for a single pulse-width measurement. If you measure the width of pulse T to be N periods of f_x , the frequency of f_x is N/T .

Figure 6-13 illustrates this method. Another option is to measure the width of a known period instead of a known pulse.

Figure 6-13. High Frequency with Two Counters



Large Range of Frequencies with Two Counters

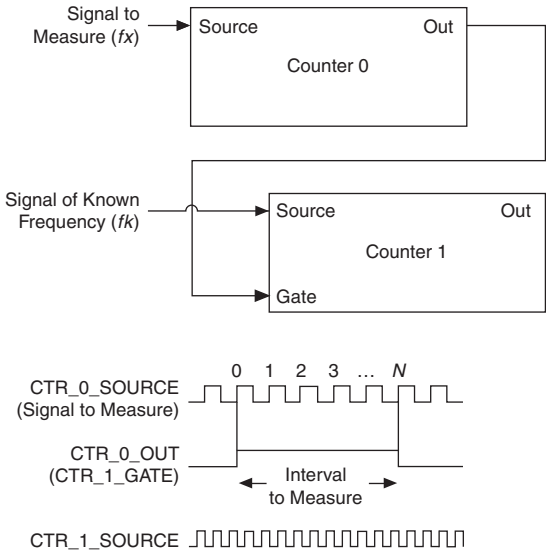
By using two counters, you can accurately measure a signal that might be high or low frequency. This technique is called reciprocal frequency measurement. When measuring a large range of frequencies with two counters, you generate a long pulse using the signal to measure. You then measure the long pulse with a known timebase. The cDAQ chassis can measure this long pulse more accurately than the faster input signal.



Note Counter 0 is always paired with Counter 1. Counter 2 is always paired with Counter 3.

You can route the signal to measure to the Source input of Counter 0, as shown in Figure 6-14. Assume this signal to measure has frequency f_x . NI-DAQmx automatically configures Counter 0 to generate a single pulse that is the width of N periods of the source input signal.

Figure 6-14. Large Range of Frequencies with Two Counters



Next, route the Counter 0 Internal Output signal to the Gate input of Counter 1. You can route a signal of known frequency (f_k) to the Counter 1 Source input. Configure Counter 1 to perform a single pulse-width measurement. Suppose the result is that the pulse width is J periods of the f_k clock.

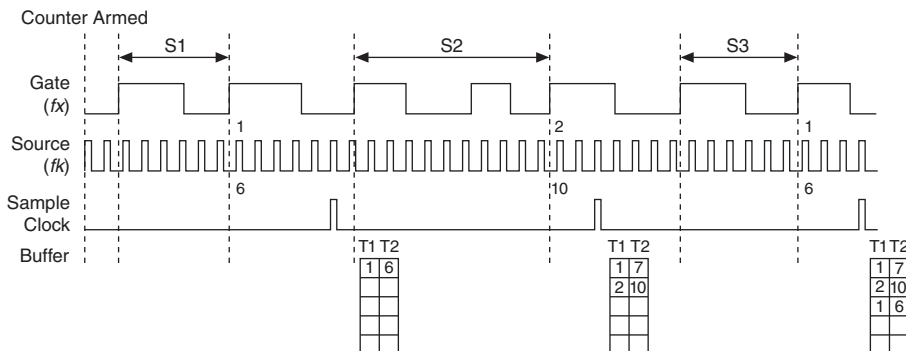
From Counter 0, the length of the pulse is N/f_x . From Counter 1, the length of the same pulse is J/f_k . Therefore, the frequency of f_x is given by $f_x = f_k * (N/J)$.

Sample Clocked Buffered Frequency Measurement

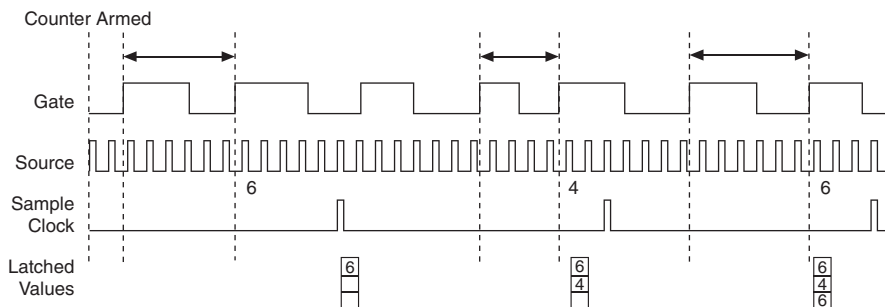
Sample clocked buffered point frequency measurements can either be a single frequency measurement or an average between sample clocks. Use **CI.Freq.EnableAveraging** to set the behavior. For buffered frequency, the default is True.

A sample clocked buffered frequency measurement with **CI.Freq.EnableAveraging** set to True uses the embedded counter and a sample clock to perform a frequency measurement. For each sample clock period, the embedded counter counts the signal to measure (f_x) and the primary counter counts the internal time-base of a known frequency (f_k). Suppose T_1 is the number of ticks of the unknown signal counted between sample clocks and T_2 is the number of ticks counted of the known timebase as shown in Figure 6-15. The frequency measured is:

$$f_x = f_k * (T_1/T_2)$$

Figure 6-15. Sample Clocked Buffered Frequency Measurement (Averaging)

When **CI.Freq.EnableAveraging** is set to false, the frequency measurement returns the frequency of the pulse just before the sample clock. This single measurement is a single frequency measurement and is not an average between clocks as shown in Figure 6-16.

Figure 6-16. Sample Clocked Buffered Frequency Measurement (Non-Averaging)

With sample clocked frequency measurements, ensure that the frequency to measure is twice as fast as the sample clock to prevent a measurement overflow.

Choosing a Method for Measuring Frequency

The best method to measure frequency depends on several factors including the expected frequency of the signal to measure, the desired accuracy, how many counters are available, and how long the measurement can take. For all frequency measurement methods, assume the following:

- f_x is the frequency to be measured if no error
- f_k is the known source or gate frequency
- measurement time* (T) is the time it takes to measure a single sample

Divide down (N) is the integer to divide down measured frequency, only used in large range two counters

f_s is the sample clock rate, only used in sample clocked frequency measurements

Here is how these variables apply to each method, summarized in Table 6-2.

- **One counter**—With one counter measurements, a known timebase is used for the source frequency (f_k). The measurement time is the period of the frequency to be measured, or $1/f_x$.
- **Two counter high frequency**—With the two counter high frequency method, the second counter provides a known measurement time. The gate frequency equals $1/\text{measurement time}$.
- **Two counter large range**—The two counter larger range measurement is the same as a one counter measurement, but now the user has an integer divide down of the signal. An internal timebase is still used for the source frequency (f_k), but the divide down means that the measurement time is the period of the divided down signal, or N/f_x where N is the divide down.
- **Sample clocked**—For sample clocked frequency measurements, a known timebase is counted for the source frequency (f_k). The measurement time is the period of the sample clock (f_s).

Table 6-2. Frequency Measurement Methods

Variable	Sample Clocked	One Counter	Two Counters	
			High Frequency	Large Range
f_k	Known timebase	Known timebase	$\frac{1}{\text{gating period}}$	Known timebase
Measurement time	$\frac{1}{f_s}$	$\frac{1}{f_x}$	gating period	$\frac{N}{f_x}$
Max. frequency error	$f_x \times \frac{f_x}{f_k \times \left[\frac{f_x}{f_s} - 1 \right]}$	$f_x \times \frac{f_x}{f_k - f_x}$	f_k	$f_x \times \frac{f_x}{N \times f_k - f_x}$
Max. error %	$\frac{f_x}{f_k \times \left[\frac{f_x}{f_s} - 1 \right]}$	$\frac{f_x}{f_k - f_x}$	$\frac{f_k}{f_x}$	$\frac{f_x}{N \times f_k - f_x}$
Note: Accuracy equations do not take clock stability into account. Refer to the specifications document for your chassis for information about clock stability.				

Which Method Is Best?

This depends on the frequency to be measured, the rate at which you want to monitor the frequency and the accuracy you desire. Take for example, measuring a 50 kHz signal. Assuming that the measurement times for the sample clocked (with averaging) and two counter frequency measurements are configured the same, Table 6-3 summarizes the results.

Table 6-3. 50 kHz Frequency Measurement Methods

Variable	Sample Clocked	One Counter	Two Counters	
			High Frequency	Large Range
\hat{f}_x	50,000	50,000	50,000	50,000
\hat{f}_k	80 M	80 M	1,000	80 M
Measurement time (ms)	1	.02	1	1
N	—	—	—	50
Max. frequency error (Hz)	.638	31.27	1,000	.625
Max. error %	.00128	.0625	2	.00125

From this, you can see that while the measurement time for one counter is shorter, the accuracy is best in the sample clocked and two counter large range measurements. For another example, Table 6-4 shows the results for 5 MHz.

Table 6-4. 5 MHz Frequency Measurement Methods

Variable	Sample Clocked	One Counter	Two Counters	
			High Frequency	Large Range
\hat{f}_x	5 M	5 M	5 M	5 M
\hat{f}_k	80 M	80 M	1,000	80 M
Measurement time (ms)	1	.0002	1	1
N	—	—	—	5,000
Max. Frequency error (Hz)	62.51	333 k	1,000	62.50
Max. Error %	.00125	6.67	.02	.00125

Again, the measurement time for the one counter measurement is lowest but the accuracy is lower. Note that the accuracy and measurement time of the sample clocked and two counter large range are almost the same. The advantage of the sample clocked method is that even when the frequency to measure changes, the measurement time does not and error percentage varies little. For example, if you configured a large range two-counter measurement to use a divide down of 50 for a 50 k signal, then you would get the accuracy measurement time and accuracy listed in Table 6-3. But if your signal ramped up to 5 M, then with a divide down of 50, your measurement time is 0.01 ms, but your error is now 0.125%. The error with a sample clocked frequency measurement is not as dependent on the measured frequency so at 50 k and 5 M with a measurement time of 1 ms the error percentage is still close to 0.00125%. One of the disadvantages of a sample clocked frequency measurement is that the frequency to be measured must be at least twice the sample clock rate to ensure that a full period of the frequency to be measured occurs between sample clocks.

- Low frequency measurements with one counter is a good method for many applications. However, the accuracy of the measurement decreases as the frequency increases.
- High frequency measurements with two counters is accurate for high frequency signals. However, the accuracy decreases as the frequency of the signal to measure decreases. At very low frequencies, this method may be too inaccurate for your application. Another disadvantage of this method is that it requires two counters (if you cannot provide an external signal of known width). An advantage of high frequency measurements with two counters is that the measurement completes in a known amount of time.
- Measuring a large range of frequencies with two counters measures high and low frequency signals accurately. However, it requires two counters, and it has a variable sample time and variable error % dependent on the input signal.

Table 6-5 summarizes some of the differences in methods of measuring frequency.

Table 6-5. 5 MHz Frequency Measurement Methods

Method Comparison	Sample Clocked (Averaged)	One Counter	Two Counters	
			High Frequency	Large Range
Number of counters used	1	1	1 or 2	2
Number of measurements returned	1	1	1	1

Table 6-5. 5 MHz Frequency Measurement Methods (Continued)

Method Comparison	Sample Clocked (Averaged)	One Counter	Two Counters	
			High Frequency	Large Range
Measures high frequency signals accurately	Good	Poor	Good	Good
Measures low frequency signals accurately	Good	Good	Good	Poor

For information about connecting counter signals, refer to the [Default Counter/Timer Routing](#) section.

Period Measurement

In period measurements, the counter measures a period on its Gate input signal after the counter is armed. You can configure the counter to measure the period between two rising edges or two falling edges of the Gate input signal.

You can route an internal or external periodic clock signal (with a known period) to the Source input of the counter. The counter counts the number of rising (or falling) edges occurring on the Source input between the two active edges of the Gate signal.

You can calculate the period of the Gate input by multiplying the period of the Source signal by the number of edges returned by the counter.

Period measurements return the inverse results of frequency measurements. Refer to the [Frequency Measurement](#) section for more information.

Position Measurement

You can use the counters to perform position measurements with quadrature encoders or two-pulse encoders. You can measure angular position with X1, X2, and X4 angular encoders. Linear position can be measured with two-pulse encoders. You can choose to do either a single point (on-demand) position measurement or a buffered (sample clock) position measurement. You must arm a counter to begin position measurements.

Refer to the following sections for more information about the cDAQ chassis position measurement options:

- [Measurements Using Quadrature Encoders](#)
- [Measurements Using Two Pulse Encoders](#)
- [Buffered \(Sample Clock\) Position Measurement](#)

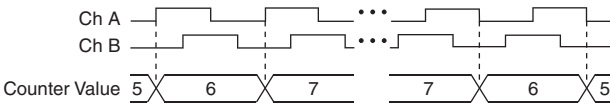
Measurements Using Quadrature Encoders

The counters can perform measurements of quadrature encoders that use X1, X2, or X4 encoding. A quadrature encoder can have up to three channels—channels A, B, and Z.

- X1 Encoding**—When channel A leads channel B in a quadrature cycle, the counter increments. When channel B leads channel A in a quadrature cycle, the counter decrements. The amount of increments and decrements per cycle depends on the type of encoding—X1, X2, or X4.

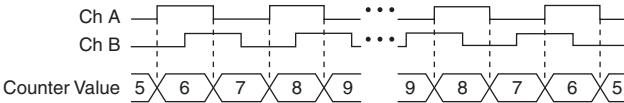
Figure 6-17 shows a quadrature cycle and the resulting increments and decrements for X1 encoding. When channel A leads channel B, the increment occurs on the rising edge of channel A. When channel B leads channel A, the decrement occurs on the falling edge of channel A.

Figure 6-17. X1 Encoding



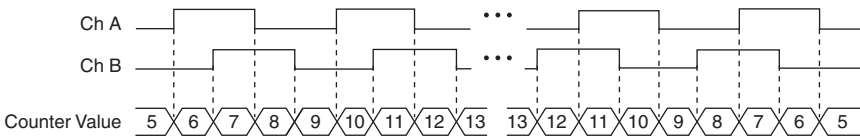
- X2 Encoding**—The same behavior holds for X2 encoding except the counter increments or decrements on each edge of channel A, depending on which channel leads the other. Each cycle results in two increments or decrements, as shown in Figure 6-18.

Figure 6-18. X2 Encoding



- X4 Encoding**—Similarly, the counter increments or decrements on each edge of channels A and B for X4 encoding. Whether the counter increments or decrements depends on which channel leads the other. Each cycle results in four increments or decrements, as shown in Figure 6-19.

Figure 6-19. X4 Encoding



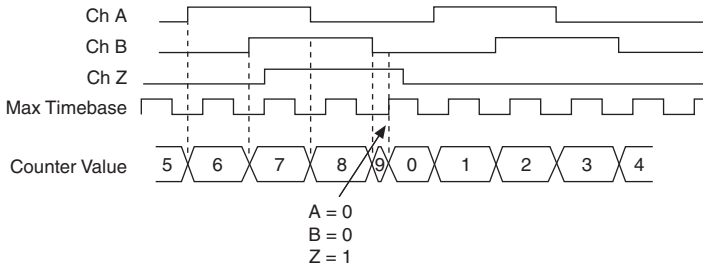
Channel Z Behavior

Some quadrature encoders have a third channel, channel Z, which is also referred to as the index channel. A high level on channel Z causes the counter to be reloaded with a specified value in a specified phase of the quadrature cycle. You can program this reload to occur in any one of the four phases in a quadrature cycle.

Channel Z behavior—when it goes high and how long it stays high—differs with quadrature encoder designs. You must refer to the documentation for your quadrature encoder to obtain timing of channel Z with respect to channels A and B. You must then ensure that channel Z is high during at least a portion of the phase you specify for reload. For instance, in Figure 6-20, channel Z is never high when channel A is high and channel B is low. Thus, the reload must occur in some other phase.

In Figure 6-20, the reload phase is when both channel A and channel B are low. The reload occurs when this phase is true and channel Z is high. Incrementing and decrementing takes priority over reloading. Thus, when the channel B goes low to enter the reload phase, the increment occurs first. The reload occurs within one maximum timebase period after the reload phase becomes true. After the reload occurs, the counter continues to count as before. The figure illustrates channel Z reload with X4 decoding.

Figure 6-20. Channel Z Reload with X4 Decoding

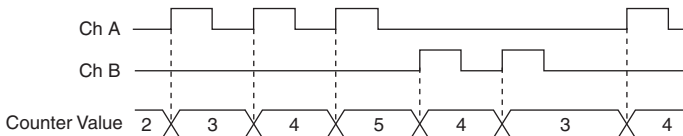


Measurements Using Two Pulse Encoders

The counter supports two pulse encoders that have two channels—channels A and B.

The counter increments on each rising edge of channel A. The counter decrements on each rising edge of channel B, as shown in Figure 6-21.

Figure 6-21. Measurements Using Two Pulse Encoders



For information about connecting counter signals, refer to the [Default Counter/Timer Routing](#) section.

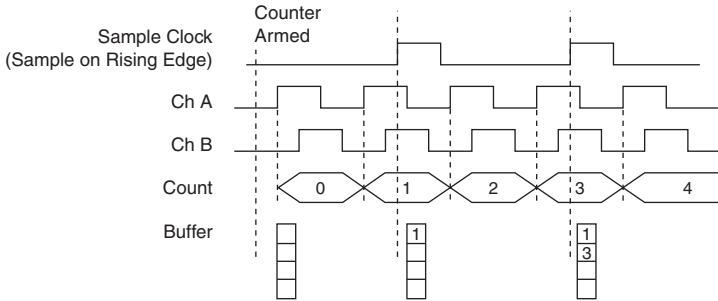
Buffered (Sample Clock) Position Measurement

With buffered position measurement (position measurement using a sample clock), the counter increments based on the encoding used after the counter is armed. The value of the counter is sampled on each active edge of a sample clock. The STC3 transfers the sampled values to host memory using a high-speed data stream. The count values returned are the cumulative counts

since the counter armed event; that is, the sample clock does not reset the counter. You can route the counter sample clock to the Gate input of the counter. You can configure the counter to sample on the rising or falling edge of the sample clock.

Figure 6-22 shows an example of a buffered X1 position measurement.

Figure 6-22. Buffered Position Measurement



Two-Signal Edge-Separation Measurement

Two-signal edge-separation measurement is similar to pulse-width measurement, except that there are two measurement signals—Aux and Gate. An active edge on the Aux input starts the counting and an active edge on the Gate input stops the counting. You must arm a counter to begin a two edge separation measurement.

After the counter has been armed and an active edge occurs on the Aux input, the counter counts the number of rising (or falling) edges on the Source. The counter ignores additional edges on the Aux input.

The counter stops counting upon receiving an active edge on the Gate input. The counter stores the count in the FIFO.

You can configure the rising or falling edge of the Aux input to be the active edge. You can configure the rising or falling edge of the Gate input to be the active edge.

Use this type of measurement to count events or measure the time that occurs between edges on two signals. This type of measurement is sometimes referred to as start/stop trigger measurement, second gate measurement, or A-to-B measurement.

Refer to the following sections for more information about the cDAQ chassis edge-separation measurement options:

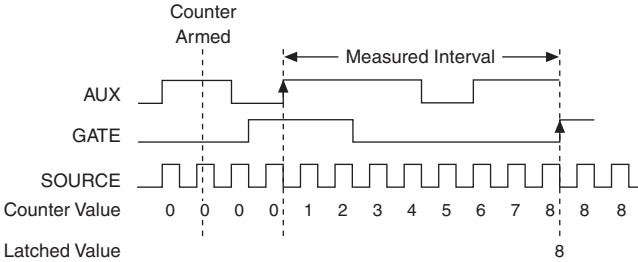
- [Single Two-Signal Edge-Separation Measurement](#)
- [Implicit Buffered Two-Signal Edge-Separation Measurement](#)
- [Sample Clocked Buffered Two-Signal Separation Measurement](#)

Single Two-Signal Edge-Separation Measurement

With single two-signal edge-separation measurement, the counter counts the number of rising (or falling) edges on the Source input occurring between an active edge of the Gate signal and an active edge of the Aux signal. The counter then stores the count in the FIFO and ignores other edges on its inputs. Software then reads the stored count.

Figure 6-23 shows an example of a single two-signal edge-separation measurement.

Figure 6-23. Single Two-Signal Edge-Separation Measurement



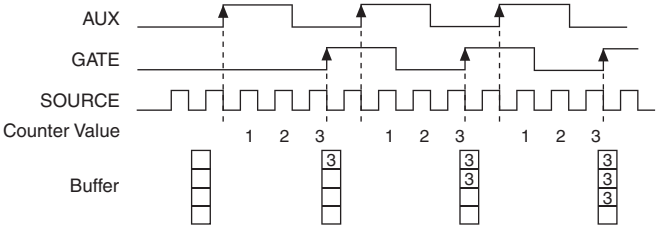
Implicit Buffered Two-Signal Edge-Separation Measurement

Implicit buffered and single two-signal edge-separation measurements are similar, but implicit buffered measurement measures multiple intervals.

The counter counts the number of rising (or falling) edges on the Source input occurring between an active edge of the Gate signal and an active edge of the Aux signal. The counter then stores the count in the FIFO. On the next active edge of the Gate signal, the counter begins another measurement. The STC3 transfers the sampled values to host memory using a high-speed data stream.

Figure 6-24 shows an example of an implicit buffered two-signal edge-separation measurement.

Figure 6-24. Implicit Buffered Two-Signal Edge-Separation Measurement



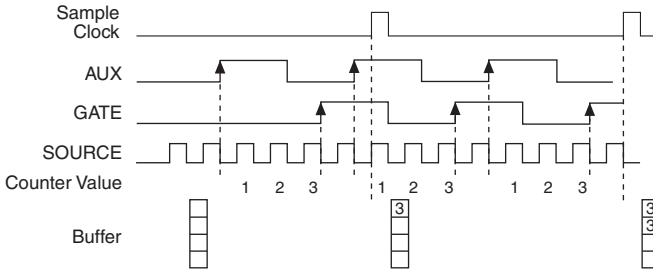
Sample Clocked Buffered Two-Signal Separation Measurement

A sample clocked buffered two-signal separation measurement is similar to single two-signal separation measurement, but buffered two-signal separation measurement takes measurements over multiple intervals correlated to a sample clock. The counter counts the number of rising (or

falling) edges on the Source input occurring between an active edge of the Gate signal and an active edge of the Aux signal. The counter then stores the count in the FIFO on a sample clock edge. On the next active edge of the Gate signal, the counter begins another measurement. The STC3 transfers the sampled values to host memory using a high-speed data stream.

Figure 6-25 shows an example of a sample clocked buffered two-signal separation measurement.

Figure 6-25. Sample Clocked Buffered Two-Signal Separation Measurement



Note If an active edge on the Gate and an active edge on the Aux does not occur between sample clocks, an overrun error occurs.

For information about connecting counter signals, refer to the [Default Counter/Timer Routing](#) section.

Counter Output Applications

The following sections list the various counter output applications available on the cDAQ chassis:

- [Simple Pulse Generation](#)
- [Pulse Train Generation](#)
- [Frequency Generation](#)
- [Frequency Division](#)
- [Using the Watchdog Timer](#)
- [Pulse Generation for ETS](#)

Simple Pulse Generation

Refer to the following sections for more information about the cDAQ chassis simple pulse generation options:

- [Single Pulse Generation](#)
- [Single Pulse Generation with Start Trigger](#)

Single Pulse Generation

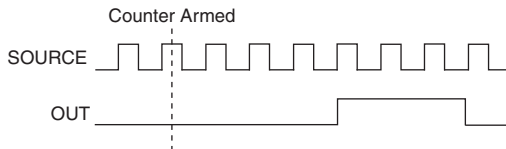
The counter can output a single pulse. The pulse appears on the Counter n Internal Output signal of the counter.

You can specify a delay from when the counter is armed to the beginning of the pulse. The delay is measured in terms of a number of active edges of the Source input.

You can specify a pulse width. The pulse width is also measured in terms of a number of active edges of the Source input. You also can specify the active edge of the Source input (rising or falling).

Figure 6-26 shows a generation of a pulse with a pulse delay of four and a pulse width of three (using the rising edge of Source).

Figure 6-26. Single Pulse Generation



Single Pulse Generation with Start Trigger

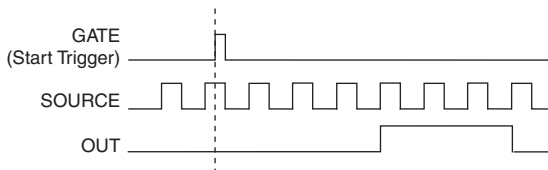
The counter can output a single pulse in response to one pulse on a hardware Start Trigger signal. The pulse appears on the Counter n Internal Output signal of the counter.

You can specify a delay from the Start Trigger to the beginning of the pulse. You also can specify the pulse width. The delay is measured in terms of a number of active edges of the Source input.

You can specify a pulse width. The pulse width is also measured in terms of a number of active edges of the Source input. You can also specify the active edge of the Source input (rising and falling).

Figure 6-27 shows a generation of a pulse with a pulse delay of four and a pulse width of three (using the rising edge of Source).

Figure 6-27. Single Pulse Generation with Start Trigger



Pulse Train Generation

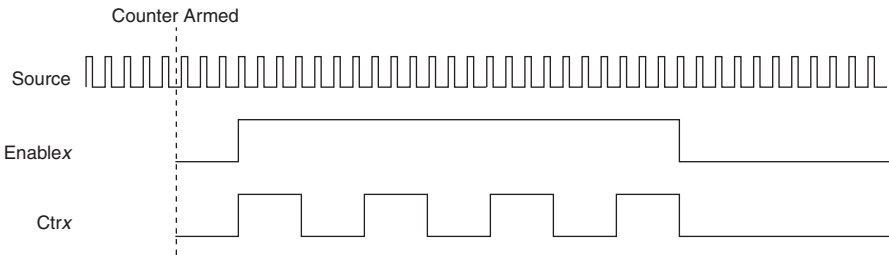
Refer to the following sections for more information about the cDAQ chassis pulse train generation options:

- *Finite Pulse Train Generation*
- *Retriggerable Pulse or Pulse Train Generation*
- *Continuous Pulse Train Generation*
- *Buffered Pulse Train Generation*
- *Finite Implicit Buffered Pulse Train Generation*
- *Continuous Buffered Implicit Pulse Train Generation*
- *Finite Buffered Sample Clocked Pulse Train Generation*
- *Continuous Buffered Sample Clocked Pulse Train Generation*

Finite Pulse Train Generation

This function generates a train of pulses with programmable frequency and duty cycle for a predetermined number of pulses. With cDAQ chassis counters, the primary counter generates the specified pulse train and the embedded counter counts the pulses generated by the primary counter. When the embedded counter reaches the specified tick count, it generates a trigger that stops the primary counter generation.

Figure 6-28. Finite Pulse Train Generation: Four Ticks Initial Delay, Four Pulses



Retriggerable Pulse or Pulse Train Generation

The counter can output a single pulse or multiple pulses in response to each pulse on a hardware Start Trigger signal. The generated pulses appear on the Counter n Internal Output signal of the counter.

You can route the Start Trigger signal to the Gate input of the counter. You can specify a delay from the Start Trigger to the beginning of each pulse. You also can specify the pulse width. The delay and pulse width are measured in terms of a number of active edges of the Source input. The initial delay can be applied to only the first trigger or to all triggers using the **CO.EnableInitialDelayOnRetrigger** property. The default for a single pulse is True, while the default for finite pulse trains is False.

The counter ignores the Gate input while a pulse generation is in progress. After the pulse generation is finished, the counter waits for another Start Trigger signal to begin another pulse generation. For retriggered pulse generation, pause triggers are not allowed since the pause trigger also uses the gate input.

Figure 6-29 shows a generation of two pulses with a pulse delay of five and a pulse width of three (using the rising edge of Source) with **CO.EnableInitialDelayOnRetrigger** set to the default True.

Figure 6-29. Retriggerable Single Pulse Generation with Initial Delay on Retrigger

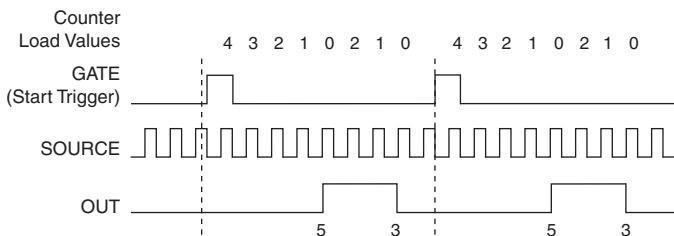
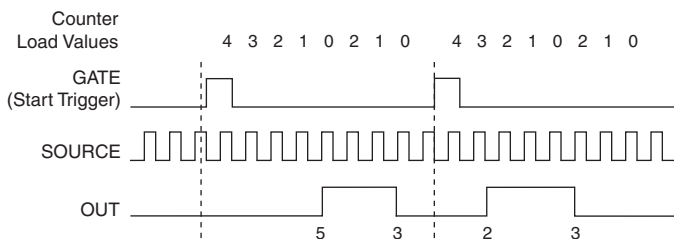


Figure 6-30 shows the same pulse train with **CO.EnableInitialDelayOnRetrigger** set to the default False.

Figure 6-30. Retriggerable Single Pulse Generation False



Note The minimum time between the trigger and the first active edge is two ticks of the source.

For information about connecting counter signals, refer to the [Default Counter/Timer Routing](#) section.

Continuous Pulse Train Generation

This function generates a train of pulses with programmable frequency and duty cycle. The pulses appear on the Counter *n* Internal Output signal of the counter.

You can specify a delay from when the counter is armed to the beginning of the pulse train. The delay is measured in terms of a number of active edges of the Source input.

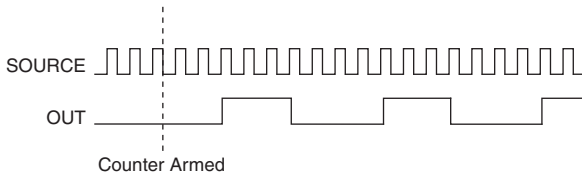
You specify the high and low pulse widths of the output signal. The pulse widths are also measured in terms of a number of active edges of the Source input. You also can specify the active edge of the Source input (rising or falling).

The counter can begin the pulse train generation as soon as the counter is armed, or in response to a hardware Start Trigger. You can route the Start Trigger to the Gate input of the counter.

You also can use the Gate input of the counter as a Pause Trigger (if it is not used as a Start Trigger). The counter pauses pulse generation when the Pause Trigger is active.

Figure 6-31 shows a continuous pulse train generation (using the rising edge of Source).

Figure 6-31. Continuous Pulse Train Generation



Continuous pulse train generation is sometimes called frequency division. If the high and low pulse widths of the output signal are M and N periods, then the frequency of the Counter n Internal Output signal is equal to the frequency of the Source input divided by $M + N$.

For information about connecting counter signals, refer to the [Default Counter/Timer Routing](#) section.

Buffered Pulse Train Generation

The cDAQ chassis counters can use the FIFO to perform a buffered pulse train generation. This pulse train can use implicit timing or sample clock timing. When using implicit timing, the pulse idle time and active time changes with each sample you write. With sample clocked timing, each sample you write updates the idle time and active time of your generation on each sample clock edge. Idle time and active time can also be defined in terms of frequency and duty cycle or idle ticks and active ticks.



Note On buffered implicit pulse trains, the pulse specifications in the DAQmx Create Counter Output Channel are ignored so that you generate the number of pulses defined in the multipoint write. On buffered sample clock pulse trains, the pulse specifications in the DAQmx Create Counter Output Channel are generated after the counters starts and before the first sample clock so that you generate the number of updates defined in the multipoint write.

Finite Implicit Buffered Pulse Train Generation

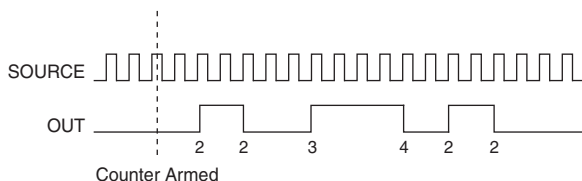
This function generates a predetermined number of pulses with variable idle and active times. Each point you write generates a single pulse. The number of pairs of idle and active times (pulse specifications) you write determines the number of pulses generated. All points are generated back to back to create a user defined pulse train.

Table 6-6 and Figure 6-32 detail a finite implicit generation of three samples.

Table 6-6. Finite Implicit Buffered Pulse Train Generation

Sample	Idle Ticks	Active Ticks
1	2	2
2	3	4
3	2	2

Figure 6-32. Finite Implicit Buffered Pulse Train Generation



Continuous Buffered Implicit Pulse Train Generation

This function generates a continuous train of pulses with variable idle and active times. Instead of generating a set number of data samples and stopping, a continuous generation continues until you stop the operation. Each point you write generates a single pulse. All points are generated back to back to create a user defined pulse train.

Finite Buffered Sample Clocked Pulse Train Generation

This function generates a predetermined number of pulse train updates. Each point you write defines pulse specifications that are updated with each sample clock. When a sample clock occurs, the current pulse (idle followed by active) finishes generation and the next pulse updates with the next sample specifications.



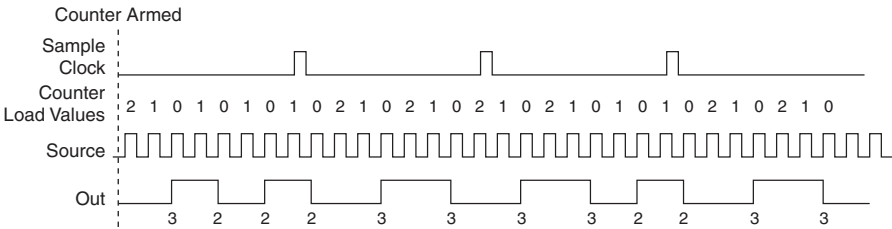
Note When the last sample is generated, the pulse train continues to generate with these specifications until the task is stopped.

Table 6-7 and Figure 6-33 detail a finite sample clocked generation of three samples where the pulse specifications from the create channel are two ticks idle, two ticks active, and three ticks initial delay.

Table 6-7. Finite Buffered Sample Clocked Pulse Train Generation

Sample	Idle Ticks	Active Ticks
1	3	3
2	2	2
3	3	3

Figure 6-33. Finite Buffered Sample Clocked Pulse Train Generation



There are several different methods of continuous generation that control what data is written. These methods are regeneration, FIFO regeneration, and non-regeneration modes.

Regeneration is the repetition of the data that is already in the buffer.

Standard regeneration is when data from the PC buffer is continually downloaded to the FIFO to be written out. New data can be written to the PC buffer at any time without disrupting the output. With FIFO regeneration, the entire buffer is downloaded to the FIFO and regenerated from there. Once the data is downloaded, new data cannot be written to the FIFO. To use FIFO regeneration, the entire buffer must fit within the FIFO size. The advantage of using FIFO regeneration is that it does not require communication with the main host memory once the operation is started, thereby preventing any problems that may occur due to excessive bus traffic.

With non-regeneration, old data is not repeated. New data must be continually written to the buffer. If the program does not write new data to the buffer at a fast enough rate to keep up with the generation, the buffer underflows and causes an error.

Continuous Buffered Sample Clocked Pulse Train Generation

This function generates a continuous train of pulses with variable idle and active times. Instead of generating a set number of data samples and stopping, a continuous generation continues until you stop the operation. Each point you write specifies pulse specifications that are updated with each sample clock. When a sample clock occurs, the current pulse finishes generation and the next pulse uses the next sample specifications.

Frequency Generation

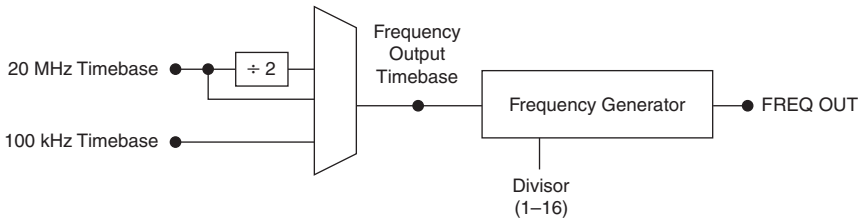
You can generate a frequency by using a counter in pulse train generation mode or by using the frequency generator circuit, as described in the [Using the Frequency Generator](#) section.

Using the Frequency Generator

The frequency generator can output a square wave at many different frequencies. The frequency generator is independent of the four general-purpose 32-bit counter/timer modules on the cDAQ chassis.

Figure 6-34 shows a block diagram of the frequency generator.

Figure 6-34. Frequency Generator Block Diagram



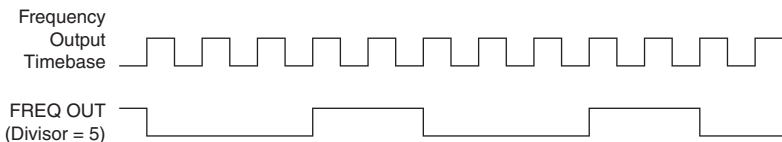
The frequency generator generates the Frequency Output signal. The Frequency Output signal is the Frequency Output Timebase divided by a number you select from 1 to 16. The Frequency Output Timebase can be either the 20 MHz Timebase, the 20 MHz Timebase divided by 2, or the 100 kHz Timebase.

The duty cycle of Frequency Output is 50% if the divisor is either 1 or an even number.

For an odd divisor, suppose the divisor is set to D . In this case, Frequency Output is low for $(D + 1)/2$ cycles and high for $(D - 1)/2$ cycles of the Frequency Output Timebase.

Figure 6-35 shows the output waveform of the frequency generator when the divisor is set to 5.

Figure 6-35. Frequency Generator Output Waveform



Frequency Output can be routed out to any PFI terminal. All PFI terminals are set to high-impedance at startup. The **FREQ OUT** signal also can be routed to many internal timing signals.

In software, program the frequency generator as you would program one of the counters for pulse train generation.

For information about connecting counter signals, refer to the [Default Counter/Timer Routing](#) section.

Frequency Division

The counters can generate a signal with a frequency that is a fraction of an input signal. This function is equivalent to continuous pulse train generation. Refer to the [Continuous Pulse Train Generation](#) section for detailed information.

For information about connecting counter signals, refer to the [Default Counter/Timer Routing](#) section.

Using the Watchdog Timer

You can use the watchdog timer for counter output operations. Refer to the [Watchdog Timer](#) section of Chapter 1, [Getting Started with the cDAQ Chassis](#), for more information.

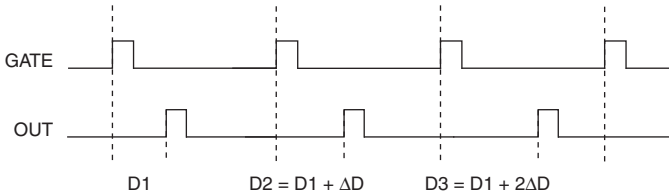
Pulse Generation for ETS

In the equivalent time sampling (ETS) application, the counter produces a pulse on the output a specified delay after an active edge on Gate. After each active edge on Gate, the counter cumulatively increments the delay between the Gate and the pulse on the output by a specified amount. Thus, the delay between the Gate and the pulse produced successively increases.

The increase in the delay value can be between 0 and 255. For instance, if you specify the increment to be 10, the delay between the active Gate edge and the pulse on the output increases by 10 every time a new pulse is generated.

Suppose you program your counter to generate pulses with a delay of 100 and pulse width of 200 each time it receives a trigger. Furthermore, suppose you specify the delay increment to be 10. On the first trigger, your pulse delay will be 100, on the second it will be 110, on the third it will be 120; the process will repeat in this manner until the counter is disarmed. The counter ignores any Gate edge that is received while the pulse triggered by the previous Gate edge is in progress.

The waveform thus produced at the counter's output can be used to provide timing for undersampling applications where a digitizing system can sample repetitive waveforms that are higher in frequency than the Nyquist frequency of the system. Figure 6-36 shows an example of pulse generation for ETS; the delay from the trigger to the pulse increases after each subsequent Gate active edge.

Figure 6-36. Pulse Generation for ETS

For information about connecting counter signals, refer to the [Default Counter/Timer Routing](#) section.

Counter Timing Signals

The cDAQ chassis features the following counter timing signals:

- [Counter \$n\$ Source Signal](#)
- [Counter \$n\$ Gate Signal](#)
- [Counter \$n\$ Aux Signal](#)
- [Counter \$n\$ A Signal](#)
- [Counter \$n\$ B Signal](#)
- [Counter \$n\$ Z Signal](#)
- [Counter \$n\$ Up_Down Signal](#)
- [Counter \$n\$ HW Arm Signal](#)
- [Counter \$n\$ Sample Clock Signal](#)
- [Counter \$n\$ Internal Output Signal](#)
- [Counter \$n\$ TC Signal](#)
- [Frequency Output Signal](#)

In this section, n refers to the cDAQ chassis Counter 0, 1, 2, or 3. For example, Counter n Source refers to four signals—Counter 0 Source (the source input to Counter 0), Counter 1 Source (the source input to Counter 1), Counter 2 Source (the source input to Counter 2), or Counter 3 Source (the source input to Counter 3).



Note All counter timing signals can be filtered. Refer to the [PFI Filters](#) section of Chapter 5, [Digital Input/Output and PFI](#), for more information.

Counter n Source Signal

The selected edge of the Counter n Source signal increments and decrements the counter value depending on the application the counter is performing. Table 6-8 lists how this terminal is used in various applications.

Table 6-8. Counter Applications and Counter n Source

Application	Purpose of Source Terminal
Pulse Generation	Counter Timebase
One Counter Time Measurements	Counter Timebase
Two Counter Time Measurements	Input Terminal
Non-Buffered Edge Counting	Input Terminal
Buffered Edge Counting	Input Terminal
Two-Edge Separation	Counter Timebase

Routing a Signal to Counter n Source

Each counter has independent input selectors for the Counter n Source signal. Any of the following signals can be routed to the Counter n Source input:

- 80 MHz Timebase
- 20 MHz Timebase
- 13.1072 MHz Timebase
- 12.8 MHz Timebase
- 10 MHz Timebase
- 100 kHz Timebase
- Any PFI terminal
- Analog Comparison Event
- Change Detection Event

In addition, TC or Gate from a counter can be routed to a different counter source.

Some of these options may not be available in some driver software. Refer to the *Device Routing in MAX* topic in the *NI-DAQmx Help* or the *LabVIEW Help* for more information about available routing options.

Routing Counter n Source to an Output Terminal

You can route Counter n Source out to any PFI terminal.

Counter n Gate Signal

The Counter n Gate signal can perform many different operations depending on the application including starting and stopping the counter, and saving the counter contents.

Routing a Signal to Counter n Gate

Each counter has independent input selectors for the Counter n Gate signal. Any of the following signals can be routed to the Counter n Gate input:

- Any PFI terminal
- AI Reference Trigger
- AI Start Trigger
- AO Sample Clock
- DI Sample Clock
- DI Reference Trigger
- DO Sample Clock
- Change Detection Event
- Analog Comparison Event

In addition, a counter's Internal Output or Source can be routed to a different counter's gate.

Some of these options may not be available in some driver software. Refer to the *Device Routing in MAX* topic in the *NI-DAQmx Help* or the *LabVIEW Help* for more information about available routing options.

Routing Counter n Gate to an Output Terminal

You can route Counter n Gate out to any PFI terminal.

Counter n Aux Signal

The Counter n Aux signal indicates the first edge in a two-signal edge-separation measurement.

Routing a Signal to Counter n Aux

Each counter has independent input selectors for the Counter n Aux signal. Any of the following signals can be routed to the Counter n Aux input:

- Any PFI terminal
- AI Reference Trigger
- AI Start Trigger
- Analog Comparison Event
- Change Detection Event

In addition, a counter's Internal Output, Gate or Source can be routed to a different counter's Aux. A counter's own gate can also be routed to its Aux input.

Some of these options may not be available in some driver software. Refer to the *Device Routing in MAX* topic in the *NI-DAQmx Help* or the *LabVIEW Help* for more information about available routing options.

Counter n A, Counter n B, and Counter n Z Signals

Counter n B can control the direction of counting in edge counting applications. Use the A, B, and Z inputs to each counter when measuring quadrature encoders or measuring two pulse encoders.

Routing Signals to A, B, and Z Counter Inputs

Each counter has independent input selectors for each of the A, B, and Z inputs. Any of the following signals can be routed to each input:

- Any PFI terminal
- Analog Comparison Event

Routing Counter n Z Signal to an Output Terminal

You can route Counter n Z out to any PFI terminal.

Counter n Up_Down Signal

Counter n Up_Down is another name for the Counter n B signal.

Counter n HW Arm Signal

The Counter n HW Arm signal enables a counter to begin an input or output function.

To begin any counter input or output function, you must first enable, or arm, the counter. In some applications, such as a buffered edge count, the counter begins counting when it is armed. In other applications, such as single pulse-width measurement, the counter begins waiting for the Gate signal when it is armed. Counter output operations can use the arm signal in addition to a start trigger.

Software can arm a counter or configure counters to be armed on a hardware signal. Software calls this hardware signal the Arm Start Trigger. Internally, software routes the Arm Start Trigger to the Counter n HW Arm input of the counter.

Routing Signals to Counter n HW Arm Input

Any of the following signals can be routed to the Counter n HW Arm input:

- Any PFI terminal
- AI Reference Trigger
- AI Start Trigger
- Analog Comparison Event
- Change Detection Event

A counter's Internal Output can be routed to a different counter's HW Arm.

Some of these options may not be available in some driver software. Refer to the *Device Routing in MAX* topic in the *NI-DAQmx Help* or the *LabVIEW Help* for more information about available routing options.

Counter n Sample Clock Signal

Use the Counter n Sample Clock (CtrnSampleClock) signal to perform sample clocked acquisitions and generations.

You can specify an internal or external source for Counter n Sample Clock. You also can specify whether the measurement sample begins on the rising edge or falling edge of Counter n Sample Clock.

If the cDAQ chassis receives a Counter n Sample Clock when the FIFO is full, it reports an overflow error to the host software.

Using an Internal Source

To use Counter n Sample Clock with an internal source, specify the signal source and the polarity of the signal. The source can be any of the following signals:

- DI Sample Clock
- DO Sample Clock
- AI Sample Clock (ai/SampleClock, te0/SampleClock, te1/SampleClock)
- AI Convert Clock
- AO Sample Clock
- DI Change Detection output

Several other internal signals can be routed to Counter n Sample Clock through internal routes. Refer to *Device Routing in MAX* in the *NI-DAQmx Help* or the *LabVIEW Help* for more information.

Using an External Source

You can route any of the following signals as Counter n Sample Clock:

- Any PFI terminal
- Analog Comparison Event

You can sample data on the rising or falling edge of Counter n Sample Clock.

Routing Counter n Sample Clock to an Output Terminal

You can route Counter n Sample Clock out to any PFI terminal. The PFI circuitry inverts the polarity of Counter n Sample Clock before driving the PFI terminal.

Counter n Internal Output and Counter n TC Signals

The Counter n Internal Output signal changes in response to Counter n TC.

The two software-selectable output options are pulse output on TC and toggle output on TC. The output polarity is software-selectable for both options.

With pulse or pulse train generation tasks, the counter drives the pulse(s) on the Counter n Internal Output signal. The Counter n Internal Output signal can be internally routed to be a counter/timer input or an “external” source for AI, AO, DI, or DO timing signals.

Routing Counter n Internal Output to an Output Terminal

You can route Counter n Internal Output to any PFI terminal.

Frequency Output Signal

The Frequency Output (FREQ OUT) signal is the output of the frequency output generator.

Routing Frequency Output to a Terminal

You can route Frequency Output to any PFI terminal.

Default Counter/Timer Routing

Counter/timer signals are available to parallel digital I/O C Series modules. To determine the signal routing options for modules installed in your system, refer to the **Device Routes** tab in MAX.

You can use these defaults or select other sources and destinations for the counter/timer signals in NI-DAQmx. Refer to *Connecting Counter Signals* in the *NI-DAQmx Help* or the *LabVIEW Help* for more information about how to connect your signals for common counter measurements and generations. Refer to *Physical Channels* in the *NI-DAQmx Help* or the *LabVIEW Help* for a list of default PFI lines for counter functions.

Other Counter Features

The following sections list the other counter features available on the cDAQ chassis.

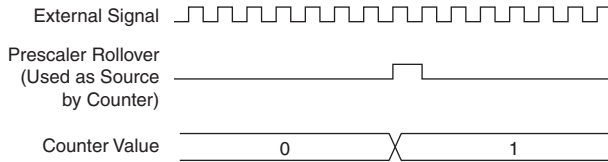
Cascading Counters

You can internally route the Counter n Internal Output and Counter n TC signals of each counter to the Gate inputs of the other counter. By cascading two counters together, you can effectively create a 64-bit counter. By cascading counters, you also can enable other applications. For example, to improve the accuracy of frequency measurements, use reciprocal frequency measurement, as described in the [Large Range of Frequencies with Two Counters](#) section.

Prescaling

Prescaling allows the counter to count a signal that is faster than the maximum timebase of the counter. The cDAQ chassis offers 8X and 2X prescaling on each counter (prescaling can be disabled). Each prescaler consists of a small, simple counter that counts to eight (or two) and rolls over. This counter can run faster than the larger counters, which simply count the rollovers of this smaller counter. Thus, the prescaler acts as a frequency divider on the Source and puts out a frequency that is one-eighth (or one-half) of what it is accepting as shown in Figure 6-37.

Figure 6-37. Prescaling



Prescaling is intended to be used for frequency measurement where the measurement is made on a continuous, repetitive signal. The prescaling counter cannot be read; therefore, you cannot determine how many edges have occurred since the previous rollover. Prescaling can be used for event counting provided it is acceptable to have an error of up to seven (or one) ticks. Prescaling can be used when the counter Source is an external signal. Prescaling is not available if the counter Source is one of the internal timebases (80MHzTimebase, 20MHzTimebase, or 100kHzTimebase).

Synchronization Modes

The 32-bit counter counts up or down synchronously with the Source signal. The Gate signal and other counter inputs are asynchronous to the Source signal, so the cDAQ chassis synchronizes these signals before presenting them to the internal counter.

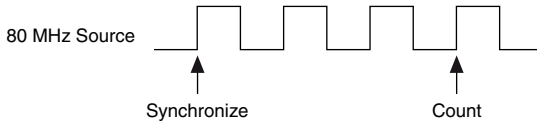
Depending on how you configure your chassis, the cDAQ chassis uses one of two synchronization methods:

- *80 MHz Source Mode*
- *External or Internal Source Less than 20 MHz*

80 MHz Source Mode

In 80 MHz source mode, the chassis synchronizes signals on the rising edge of the source, and counts on the third rising edge of the source. Edges are pipelined so no counts are lost, as shown in Figure 6-38.

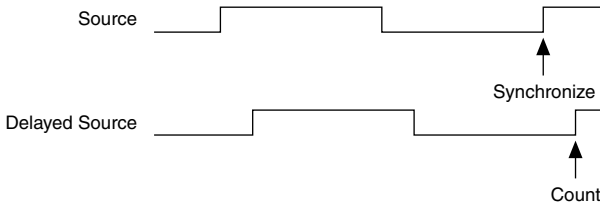
Figure 6-38. 80 MHz Source Mode



External or Internal Source Less than 20 MHz

With an external or internal source less than 20 MHz, the module generates a delayed Source signal by delaying the Source signal by several nanoseconds. The chassis synchronizes signals on the rising edge of the delayed Source signal, and counts on the following rising edge of the source, as shown in Figure 6-39.

Figure 6-39. External or Internal Source Less than 20 MHz



Digital Routing, Clock Generation, and Synchronization

This chapter describes digital routing, clock routing circuitry, and timebase synchronization on the cDAQ chassis. Refer to the [Digital Routing](#), [Clock Routing](#), and [Synchronization across a Network](#) sections.

Digital Routing

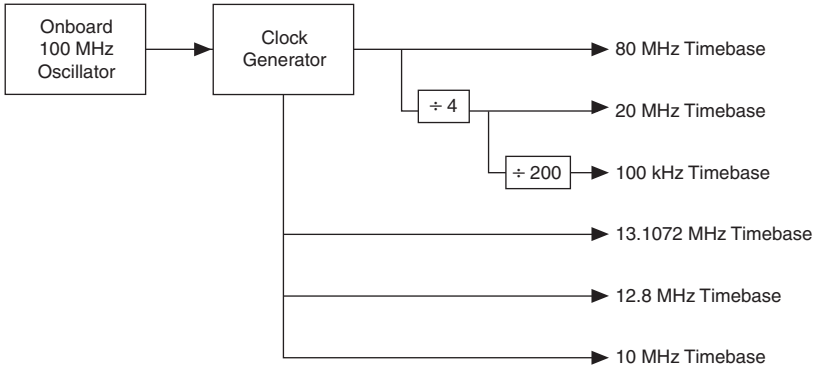
The digital routing circuitry has the following functions:

- Manages the flow of data between the bus interface and the acquisition/generation sub-systems (analog input, analog output, digital I/O, and the counters). The digital routing circuitry uses FIFOs (if present) in each sub-system to ensure efficient data movement.
- Routes timing and control signals. The acquisition/generation sub-systems use these signals to manage acquisitions and generations. These signals can come from the following sources:
 - Your C Series modules
 - User input through the PFI terminals using parallel digital C Series modules or the cDAQ chassis PFI terminal
- Routes and generates the main clock signals for the cDAQ chassis. To determine the signal routing options for C Series module(s) installed in the cDAQ chassis, refer to the **Device Routes** tab in MAX.

Clock Routing

Figure 7-1 shows the clock routing circuitry of the cDAQ chassis.

Figure 7-1. Clock Routing Circuitry



80 MHz Timebase

You can use the 80 MHz Timebase as the Source input to the 32-bit general-purpose counter/timers. The 80 MHz Timebase can be generated from the onboard oscillator.

20 MHz and 100 kHz Timebases

The 20 MHz and 100 kHz Timebases can be used to generate many of the analog input and analog output timing signals. They can function as the Source input to the 32-bit general-purpose counter/timers. The 20 MHz and 100 kHz Timebases are generated by dividing down the 80 MHz Timebase, as shown in Figure 7-1.

13.1072 MHz, 12.8 MHz, and 10 MHz Timebases

The 13.1072 MHz, 12.8 MHz, and 10 MHz Timebases can be used to generate many of the analog input and analog output timing signals. They can function as the Source input to the 32-bit general-purpose counter/timers. The 13.1072 MHz, 12.8 MHz, and 10 MHz Timebases are generated directly from the onboard clock generator.

Synchronization across a Network

The onboard 100 MHz oscillator automatically synchronizes to other network-synchronized chassis that are part of your local 802.1AS subnet.

The 80 MHz, 20 MHz, 100 kHz, 13.1072 MHz, 12.8 MHz, and 10 MHz Timebases are derived from this oscillator, and are synchronized to it. Therefore, they are also synchronized to other network-synchronized timebases on your 802.1AS subnet. This enables analog input, analog output, digital input, digital output, and counter/timers to be synchronized to other chassis across a distributed network.

The cDAQ-9185/9189 chassis use the IEEE 802.1AS protocol over the network to synchronize. They can be configured to use the IEEE 1588-2008 protocol profile instead¹.



Note For chassis or networks that do not support network synchronization, the NI 9469 C Series synchronization module can be used to synchronize timebases and clocks across chassis.

More Information about Synchronization

The following documents will help you overcome typical hurdles in getting started with synchronized measurements:

- **How to synchronize analog input C Series modules with NI-DAQmx**—This tutorial delves into multidevice and multichassis tasks. Visit ni.com/info and enter `cdaqaisync`.
- **Designing Ethernet measurement systems for synchronization, considering topologies, masters, and third party devices**—If topology changes result in a device's master changing, executing tasks may be affected. Visit ni.com/info and enter `cdaqenet`.
- **How to achieve high accuracy measurements**—Visit ni.com/info and enter `cdaqsync`.
- **Choosing a CompactDAQ synchronization technology**—Visit ni.com/info and enter `cdaqsync`types.
- **Synchronization accuracy explained**—Visit ni.com/info and enter `syncacc`.
- **Synchronizing FieldDAQ and TSN-Enabled Ethernet cDAQ Chassis to a PXI System**—Visit ni.com/info and enter `fd1588`.

¹ IEEE 1588 protocol is supported in NI-DAQmx 18.1 and later.

Where to Go from Here

This section lists where you can find example programs for the cDAQ chassis and C Series modules and relevant documentation.

Example Programs

NI-DAQmx software includes example programs to help you get started programming with the cDAQ chassis and C Series modules. Modify example code and save it in an application, or use examples to develop a new application, or add example code to an existing application.

To locate NI software examples, go to ni.com/info and enter the Info Code `daqmxexp`.

To run examples without the device installed, use an NI-DAQmx simulated device. For more information, in Measurement & Automation Explorer (MAX), select **Help»Help Topics»NI-DAQmx»MAX Help for NI-DAQmx** and search for simulated devices.

Related Documentation

Each application software package and driver includes information about writing applications for taking measurements and controlling measurement devices. The following references to documents assume you have NI-DAQmx 19.1 or later.

NI cDAQ Chassis Documentation

The *cDAQ-9185/9189 Quick Start* packaged with your cDAQ chassis, describes how to install your NI-DAQmx for Windows software, how to install the cDAQ chassis and C Series module, and how to confirm that your device is operating properly.

The *cDAQ-9185 Specifications* and *cDAQ-9189 Specifications* list all specifications for your cDAQ chassis. Go to ni.com/manuals and search for your cDAQ chassis.

The *cDAQ-9185 Safety, Environmental, and Regulatory Information* and *cDAQ-9189 Safety, Environmental, and Regulatory Information* include important hazardous locations information, compliance precautions, and connection information for your cDAQ chassis. Go to ni.com/manuals and search for your cDAQ chassis.

The *cDAQ Chassis and Controllers Calibration Procedure* lists the steps for verifying the counters on cDAQ chassis and controllers. Go to ni.com/manuals and search for your cDAQ chassis.

C Series Module Documentation and Specifications

For general installation and module use, refer to the getting started guide included with your C Series module. You can find the specifications for your C Series module in the datasheet on ni.com/manuals.

NI-DAQmx

The *NI-DAQmx Readme* lists which devices, ADEs, and NI application software are supported by this version of NI-DAQmx. Select **Start»All Programs»National Instruments»NI-DAQmx»NI-DAQmx Readme**.

The *NI-DAQmx Help* contains API overviews, general information about measurement concepts, key NI-DAQmx concepts, and common applications that are applicable to all programming environments. Select **Start»All Programs»National Instruments»Start»All Programs»National Instruments»NI-DAQmx»NI-DAQmx Help**.

LabVIEW NXG

Refer to the *Taking NI-DAQmx Measurements* lessons to assist in getting started in LabVIEW NXG, beginning with *NI-DAQmx API Basics*. To access these lessons, enter `taking NI-DAQmx measurements` in the Search bar in LabVIEW NXG

FlexLogger

Configuring Device Channels in the *FlexLogger Manual* presents information for adding sensors and signals, configuring channels, and logging data in FlexLogger. Go to ni.com/info and enter the Info Code `flexloggerchannels`.

LabVIEW

Refer to ni.com/gettingstarted for more information about LabVIEW.

Use the *LabVIEW Help*, available by selecting **Help»LabVIEW Help** in LabVIEW, to access information about LabVIEW programming concepts, step-by-step instructions for using LabVIEW, and reference information about LabVIEW VIs, functions, palettes, menus, and tools. Refer to the following locations on the **Contents** tab of the *LabVIEW Help* for information about NI-DAQmx:

- **VI and Function Reference»Measurement I/O VIs and Functions»DAQmx - Data Acquisition VIs and Functions**—Describes the LabVIEW NI-DAQmx VIs and functions.
- **Property and Method Reference»NI-DAQmx Properties**—Contains the property reference.
- **Taking Measurements**—Contains the conceptual and how-to information you need to acquire and analyze measurement data in LabVIEW, including common measurements, measurement fundamentals, NI-DAQmx key concepts, and device considerations.

LabVIEW Real-Time

The *Real-Time Module Concepts* book of the *LabVIEW Real-Time Module Help* includes conceptual information about real-time programming techniques, application architectures, and Real-Time Module features you can use to create real-time applications. Refer to the *Real-Time Module Concepts* before attempting to create a deterministic real-time application.

LabWindows/CVI

The **Data Acquisition** book of the *LabWindows/CVI Help* contains *Taking an NI-DAQmx Measurement in LabWindows/CVI*, which includes step-by-step instructions about creating a measurement task using the DAQ Assistant. In LabWindows™/CVI™, select **Help»Contents**, then select **Using LabWindows/CVI»Data Acquisition**. This book also contains information about accessing detailed information through the *NI-DAQmx Help*.

The **NI-DAQmx Library** book of the *LabWindows/CVI Help* contains API overviews and function reference for NI-DAQmx. Select **Library Reference»NI-DAQmx Library** in the *LabWindows/CVI Help*.

Microsoft Visual Studio Support

You can use the NI-DAQmx .NET class library to communicate with and control an NI data acquisition (DAQ) device. Documentation for the NI-DAQmx .NET class library is available by selecting **Start»All Programs»National Instruments»NI-DAQmx»NI-DAQmx Documentation** and then opening the `NINETDAQmxFxxXX.chm` help file corresponding to the version of NI-DAQmx .NET Framework language support you have installed.

- **Measurement Studio Support for NI-DAQmx**—If you program your NI-DAQmx-supported device in Visual Studio using Visual C# or Visual Basic .NET, you can interactively create channels and tasks using Measurement Studio and the DAQ Assistant. Additionally, you can use Measurement Studio to generate the configuration code based on your task or channel. Refer to the *DAQ Assistant Help* for additional information about generating code.

To create an NI-DAQmx application using Visual Basic .NET or Visual C#, follow these general steps:

1. In Visual Studio, select **File»New»Project** to launch the New Project dialog box.
 2. Choose a programming language (Visual C# or Visual Basic .NET), and then select **Measurement Studio** to see a list of project templates.
 3. Select **NI DAQ Windows Application**. Choose a project type. You add DAQ tasks as a part of this step.
- **.NET Languages without NI Application Software**—With the Microsoft .NET Framework, you can use the NI-DAQmx .NET class library to create applications using Visual C# and Visual Basic .NET without Measurement Studio. Refer to the *NI-DAQmx Readme* for specific versions supported.

ANSI C without NI Application Software

The *NI-DAQmx Help* contains API overviews and general information about measurement concepts. Select **Start»All Programs»National Instruments»NI-DAQmx»NI-DAQmx Help**.

The *NI-DAQmx C Reference Help* describes the NI-DAQmx Library functions, which you can use with National Instruments data acquisition devices to develop instrumentation, acquisition, and control applications. Select **Start»All Programs»National Instruments»NI-DAQmx»Text-Based Code Support»NI-DAQmx C Reference Help**.

Training Courses

If you need more help getting started developing an application with NI products, NI offers training courses. To enroll in a course or obtain a detailed course outline, refer to ni.com/training.

Technical Support on the Web

For additional support, refer to ni.com/support or ni.com/examples.



Note You can download these documents at ni.com/manuals.

Many DAQ specifications and user guides/manuals are available as PDFs. You must have Adobe Reader 7.0 or later (PDF 1.6 or later) installed to view the PDFs. Refer to the Adobe Systems Incorporated website at www.adobe.com to download Adobe Reader. Refer to the National Instruments Product Manuals Library at ni.com/manuals for updated documentation resources.

NI Services

NI provides global services and support as part of our commitment to your success. Take advantage of product services in addition to training and certification programs that meet your needs during each phase of the application life cycle; from planning and development through deployment and ongoing maintenance.

To get started, register your product at ni.com/myproducts.

As a registered NI product user, you are entitled to the following benefits:

- Access to applicable product services.
- Easier product management with an online account.
- Receive critical part notifications, software updates, and service expirations.

Log in to your MyNI user profile to get personalized access to your services.

Services and Resources

- **Maintenance and Hardware Services**—NI helps you identify your systems' accuracy and reliability requirements and provides warranty, sparing, and calibration services to help you maintain accuracy and minimize downtime over the life of your system. Visit ni.com/services for more information.
 - **Warranty and Repair**—All NI hardware features a one-year standard warranty that is extendable up to five years. NI offers repair services performed in a timely manner by highly trained factory technicians using only original parts at an NI service center.
 - **Calibration**—Through regular calibration, you can quantify and improve the measurement performance of an instrument. NI provides state-of-the-art calibration services. If your product supports calibration, you can obtain the calibration certificate for your product at ni.com/calibration.
- **System Integration**—If you have time constraints, limited in-house technical resources, or other project challenges, National Instruments Alliance Partner members can help. To learn more, call your local NI office or visit ni.com/alliance.

- **Training and Certification**—The NI training and certification program is the most effective way to increase application development proficiency and productivity. Visit ni.com/training for more information.
 - The Skills Guide assists you in identifying the proficiency requirements of your current application and gives you options for obtaining those skills consistent with your time and budget constraints and personal learning preferences. Visit ni.com/skills-guide to see these custom paths.
 - NI offers courses in several languages and formats including instructor-led classes at facilities worldwide, courses on-site at your facility, and online courses to serve your individual needs.
- **Technical Support**—Support at ni.com/support includes the following resources:
 - **Self-Help Technical Resources**—Visit ni.com/support for software drivers and updates, a searchable KnowledgeBase, product manuals, step-by-step troubleshooting wizards, thousands of example programs, tutorials, application notes, instrument drivers, and so on. Registered users also receive access to the NI Discussion Forums at ni.com/forums. NI Applications Engineers make sure every question submitted online receives an answer.
 - **Software Support Service Membership**—The Standard Service Program (SSP) is a renewable one-year subscription included with almost every NI software product, including NI Developer Suite. This program entitles members to direct access to NI Applications Engineers through phone and email for one-to-one technical support, as well as exclusive access to online training modules at ni.com/self-paced-training. NI also offers flexible extended contract options that guarantee your SSP benefits are available without interruption for as long as you need them. Visit ni.com/ssp for more information.
- **Declaration of Conformity (DoC)**—A DoC is our claim of compliance with the Council of the European Communities using the manufacturer’s declaration of conformity. This system affords the user protection for electromagnetic compatibility (EMC) and product safety. You can obtain the DoC for your product by visiting ni.com/certification.

For information about other technical support options in your area, visit ni.com/services, or contact your local office at ni.com/contact.

You also can visit the Worldwide Offices section of ni.com/niglobal to access the branch office websites, which provide up-to-date contact information, support phone numbers, email addresses, and current events.

Index

Symbols

<20 MHz source mode, 6-40

Numerics

10/100/1000 LED, 1-30

80 MHz source mode, 6-40

A

acquisitions, digital waveform, 5-2

ACTIVE LED, 1-29

analog input

getting started with applications in
software, 3-8

timing signals, 3-1

triggering, 3-1

analog input signals

AI Convert Clock behavior, 3-3

AI Pause Trigger, 3-7

AI Reference Trigger, 3-6

AI Sample Clock, 3-2

AI Sample Clock Timebase, 3-2

AI Start Trigger, 3-5

analog output

data generation methods, 4-1

getting started with applications in
software, 4-8

glitches on the output signal, 4-7

timing signals, 4-3

triggering, 4-3

watchdog timer, 4-8

analog output signals

AO Pause Trigger, 4-6

AO Sample Clock, 4-4

AO Sample Clock Timebase, 4-4

AO Start Trigger, 4-5

ANSI C documentation, A-4

applications

counter input, 6-3

counter output, 6-24

edge counting, 6-4

arm start trigger, 6-3

B

buffered

edge counting, 6-5

hardware-timed generations
analog output, 4-2

digital output, 5-9

position measurement, 6-21

two-signal edge-separation
measurement, 6-23

C

C Series module

specifications, A-2

cascading counters, 6-38

cDAQ chassis

diagram, 1-2

features, 1-29

installation and configuration, 1-6

mounting, 1-18

reserving in MAX, 1-17

troubleshooting device connectivity,
1-29

unpacking, 1-3

using, 1-36

cDAQ module interface, 1-37

channel Z behavior, 6-20

chassis grounding screw, 1-29

choosing frequency measurement, 6-15

configuration, 1-6

connector

power, 1-32

continuous pulse train generation, 6-27

controlling counting direction, 6-4

counter signals

Counter *n* A, 6-36

Counter *n* Aux, 6-35

Counter *n* B, 6-36

Counter *n* Gate, 6-34

Counter *n* HW Arm, 6-36

Counter *n* Internal Output, 6-38

Counter *n* Source, 6-33

Counter *n* TC, 6-38

- Counter *n* Up_Down, 6-36
- FREQ OUT, 6-38
- Frequency Output, 6-38
- counters, 6-1
 - cascading, 6-38
 - edge counting, 6-4
 - generation, 6-24
 - input applications, 6-3
 - other features, 6-38
 - output applications, 6-24
 - prescaling, 6-39
 - pulse train generation, 6-26
 - retriggerable single pulse generation, 6-26
 - simple pulse generation, 6-24
 - single pulse generation, 6-25
 - with start trigger, 6-25
 - synchronization modes, 6-39
 - timing signals, 6-33
 - triggering, 6-3
 - watchdog timer, 6-32
- counting edges, 6-4

D

- data
 - AO generation methods, 4-1
 - DO generation methods, 5-9
- DI Sample Clock signal, 5-3
- digital I/O
 - change detection event, 5-8
 - configuration for NI 9401, 5-14
 - digital input, 5-2
 - digital output, 5-8
 - parallel versus serial DIO modules, 5-1
 - static DIO, 5-2
 - waveform acquisition, 5-2
- digital input
 - filters (parallel DIO modules only), 5-7
 - getting started with applications in software, 5-7
 - timing signals, 5-2
 - triggering, 5-2
- digital input signals
 - DI Pause Trigger, 5-6
 - DI Reference Trigger, 5-5

- DI Sample Clock, 5-3
- DI Sample Clock Timebase, 5-3
- DI Start Trigger, 5-4
- digital output
 - data generation methods, 5-9
 - getting started with applications in software, 5-14
 - timing signals, 5-10
 - triggering, 5-10
 - watchdog timer, 1-34, 4-8, 5-14, 6-32
- digital output signals
 - DO Pause Trigger, 5-12
 - DO Sample Clock, 5-11
 - DO Sample Clock Timebase, 5-11
 - DO Start Trigger, 5-11

E

- edge counting, 6-4
 - buffered, 6-5
 - on-demand, 6-4
 - sample clock, 6-5
 - single point, 6-4
- edge-separation measurement
 - buffered two-signal, 6-23
 - single two-signal, 6-23
- electromagnetic compatibility guidelines, 1-2
- encoders, quadrature, 6-20
- encoding
 - X1, 6-20
 - X2, 6-20
 - X4, 6-20
- equivalent time sampling, 6-32
- Ethernet
 - cabling, 1-30
 - LEDs, 1-30
 - port, 1-29
- external source less than 40 MHz, 6-40

F

- features, counter, 6-38
- filters
 - digital input (parallel DIO modules only), 5-7
 - PFI, 5-14
- FREQ OUT signal, 6-38

- frequency
 - division, 6-32
 - generation, 6-31
 - generator, 6-31
 - measurement, 6-11
- Frequency Output signal, 6-38

G

- generations
 - analog output data, 4-1
 - buffered hardware-timed
 - analog output, 4-2
 - digital output, 5-9
 - continuous pulse train, 6-27
 - digital output data, 5-9
 - frequency, 6-31
 - hardware-timed
 - analog output, 4-2
 - digital output, 5-9
 - pulse for ETS, 6-32
 - pulse train, 6-26
 - retriggerable single pulse, 6-26
 - simple pulse, 6-24
 - single pulse, 6-25
 - single pulse with start trigger, 6-25
 - software-timed
 - analog output, 4-1
 - digital output, 5-9
- getting started
 - AI applications in software, 3-8
 - AO applications in software, 4-8
 - DI applications in software, 5-7
 - DO applications in software, 5-14

H

- hardware-timed generations
 - analog output, 4-2
 - digital output, 5-9

I

- implicit buffered
 - pulse-width measurement, 6-7
 - semi-period measurement, 6-10

- installation, 1-6
- internal source less than 40 MHz, 6-40

L

- LabVIEW documentation, A-2
- LabWindows/CVI documentation, A-3
- LEDs, 1-29
 - Ethernet, 1-30
 - POWER, STATUS, ACTIVE, 1-29
- LINK/ACT LED, 1-30

M

- MAX chassis reservation, 1-17
- Measurement Studio documentation, A-3
- measurements
 - buffered two-signal edge-separation, 6-23
 - choosing frequency, 6-15
 - frequency, 6-11
 - implicit buffered pulse-width, 6-7
 - implicit buffered semi-period, 6-10
 - period, 6-19
 - position, 6-19
 - pulse-width, 6-6
 - semi-period, 6-10
 - single pulse-width, 6-6
 - single semi-period, 6-10
 - single two-signal edge-separation, 6-23
 - two-signal edge-separation, 6-22
 - using quadrature encoders, 6-20
 - using two pulse encoders, 6-21
- measuring
 - high frequency with two counters, 6-12
 - large range of frequencies using two counters, 6-13
 - low frequency, 6-11
- minimizing glitches on the output signal, 4-7
- mounting, 1-18

N

- .NET languages documentation, A-3
- NI-DAQmx, documentation, A-2

O

- on-demand edge counting, 6-4
- output signals, minimizing glitches, 4-7

P

- pause trigger, 6-3
- period measurement, 6-19
- PFI 0 SMB connector, 1-32
- PFI filters, 5-14
- ports
 - PFI 0 SMB, 1-32
- position measurement, 6-19
 - buffered, 6-21
- power connector, 1-32
- POWER LED, 1-29
- prescaling, 6-39
- pulse
 - encoders, 6-21
 - generation for ETS, 6-32
 - train generation, 6-26
 - continuous, 6-27
- pulse-width measurement, 6-6
 - implicit buffered, 6-7
 - single, 6-6

Q

- quadrature encoders, 6-20

R

- reciprocal frequency measurement, 6-13
- reserving the chassis in MAX, 1-17
- reset button, 1-31
- retriggerable single pulse generation, 6-26

S

- sample clock
 - edge counting, 6-5
 - measurement, 6-21
- semi-period measurement, 6-10
 - implicit buffered, 6-10
 - single, 6-10
- simple pulse generation, 6-24
- single
 - point edge counting, 6-4

- pulse generation, 6-25
 - retriggerable, 6-26
 - with start trigger, 6-25
- pulse-width measurement, 6-6
- semi-period measurement, 6-10
- two-signal edge-separation measurement, 6-23

software-timed generations

- analog output, 4-1
- digital output, 5-9

start trigger, 6-3

STATUS LED, 1-29

STC3, 1-37

synchronization modes, 6-39

100 MHz source, 6-40

external source less than 40 MHz, 6-40

internal source less than 40 MHz, 6-40

T

technical support, A-4

training, A-4

trigger

arm start, 6-3

pause, 6-3

start, 6-3

troubleshooting, device connectivity, 1-17

two-signal edge-separation measurement, 6-22

buffered, 6-23

single, 6-23

U

unpacking, 1-3

using the cDAQ chassis, 1-36

W

watchdog timer, 1-34, 4-8, 5-14, 6-32

X

X1 encoding, 6-20

X2 encoding, 6-20

X4 encoding, 6-20