

INSTALLATION GUIDE

NI PS-14/15/16/17/25/26 Side Mount Brackets

This document explains how to install the NI PS-14/15/16/17/25/26 Side Mount Brackets. Use this accessory to mount NI PS-14/15/16/17/25/26 power supplies sideways to reduce the installation depth.

There are two side mounting options:

- 35 mm DIN-rail mount
- Panel mount

Bracket and Assembly Dimensions

This section includes bracket and assembly dimensions. Table 1 includes the dimensions and weight of the overall assembly when a specific bracket set is mounted to a specific power supply.

- The *Power Supply* column lists the available power supplies.
- The *Bracket Set* column lists the appropriate brackets to use with the specified power supply.
- Column *A* lists dimensions from the front of the power supply to the rearmost mounting screw for the assembly of power supply and brackets.
- Column *B* lists the total installation depth of the assembly when mounted.
- Column *C* lists the depth of the power supply only.
- The *Length* column lists the total length of the assembly.
- The *Width* column lists the width of the mounting brackets.
- The *Height* column lists the height of the mounting brackets only.
- The *Bracket Set Weight* column lists the weight of the mounting bracket set only.

Table 1. Bracket Set and Assembly Dimensions and Weight

Power Supply	Bracket Set	A	B*	C	Length	Width	Height	Bracket Set Weight
NI PS-14	199429-01	89 mm	38 mm	32 mm	145 mm	65 mm	37 mm	140 g
NI PS-15	199429-01	104 mm	38 mm	32 mm	145 mm	65 mm	37 mm	140 g
NI PS-16	199430-01	104 mm	66 mm	60 mm	145 mm	65 mm	63 mm	180 g
NI PS-17	199431-01	124 mm	88 mm	82 mm	145 mm	65 mm	84.5 mm	205 g



Table 1. Bracket Set and Assembly Dimensions and Weight (Continued)

Power Supply	Bracket Set	A	B*	C	Length	Width	Height	Bracket Set Weight
NI PS-25	199429-01	89 mm	38 mm	32 mm	145 mm	65 mm	37 mm	140 g
NI PS-26	139683-01	104 mm	45 mm	39 mm	145 mm	65 mm	44 mm	160 g

* If the unit is panel mounted, the B dimension shows the required installation depth. If the unit is DIN-Rail mounted, the total installation depth is the B dimension plus 6 mm plus the height of the DIN-Rail.

Figures 1, 2, and 3 show the brackets for DIN-Rail mounting.

Figure 1 shows the layout of a mounting bracket in three physical dimensions. Visualize this layout when using Table 1 with Figure 2 and Figure 3 to determine the dimensions of a specified bracket set mounted to a specified power supply.

Figure 1. Physical Dimension Variables

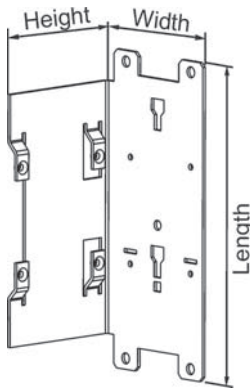


Figure 2 shows the *B* and *C* variables for determining the depth of a bracketed power supply assembly when mounting the assembly to a DIN-Rail or panel.

The total installation depth is the *B* dimension plus 6 mm plus the height of the DIN-Rail. In case the unit is panel mounted, the *B* dimension shows the required installation depth. The *C* dimension is the depth of the power supply itself, and its sum is included in the value of *B*. All measurements are in millimeters.

Figure 2. Calculating the Assembly Installation Depth

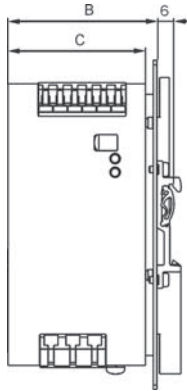
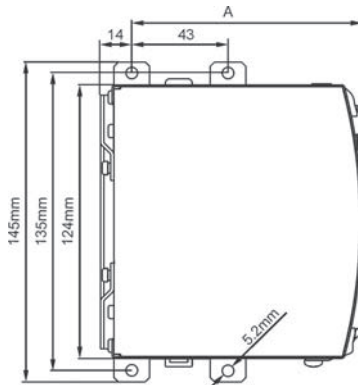


Figure 3 shows the constants and variables for determining the length and depth of a bracketed power supply mounted to a DIN-Rail.

Figure 3. Calculating the Screw Mount Dimensions



Assembly and Mounting Instructions

This section includes instructions for mounting the power supply sideways to a panel or to a DIN-Rail.



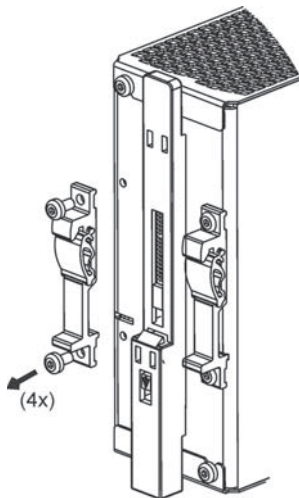
Note You must remove the two aluminum brackets and the black plastic slide from the units to allow mounting of the zinc-plated steel brackets.

Sideways Panel Mounting

Complete the following steps to mount the brackets to a flat wall.

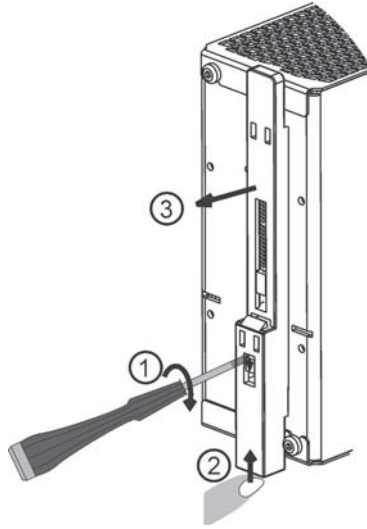
1. Detach the two aluminum brackets by removing the four screws with a Torx 10 screwdriver, as shown in Figure 4.

Figure 4. Removing the Aluminum Brackets



- Remove the plastic lock mechanism by using a flathead screwdriver to move the lock downward while at the same time pushing the plastic slider upward. Detach the plastic slider, as shown in Figure 5.

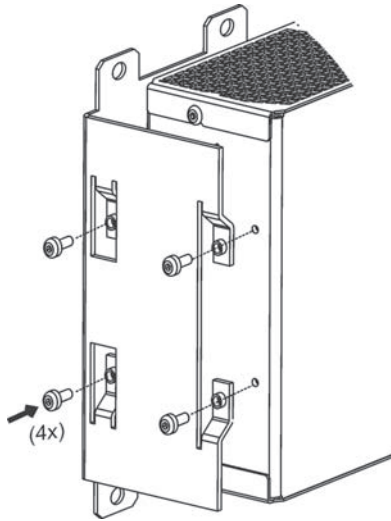
Figure 5. Removing the Plastic Slider



Caution Do not overtighten the screws. The recommended tightening torque is 0.6 Nm/5.3 lb in.

3. Mount the steel brackets with the DIN-Rail bracket screws as shown in Figure 6.

Figure 6. Mounting the Steel Brackets

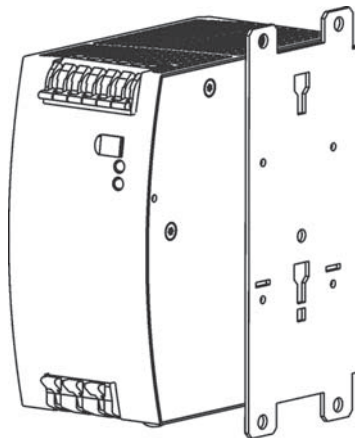


DIN-Rail Mounting

Complete the following steps to mount the brackets to a DIN-Rail.

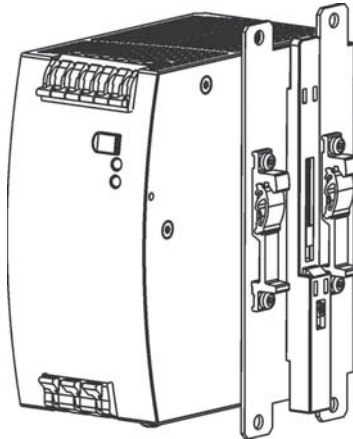
1. Install the mounting plate by following the steps in the [Sideways Panel Mounting](#) section. When installed, the mounting plate should be attached to the power supply as shown in Figure 7.

Figure 7. Installing the Mounting Brackets



- Using the additional screws in the brackets shipping box, attach the two aluminum brackets and the plastic slider to the side mounting plate, as shown in Figure 8.

Figure 8. Installing the Aluminum Brackets and Plastic Slider



NI Services

Visit ni.com/support to find support resources including documentation, downloads, and troubleshooting and application development self-help such as tutorials and examples.

Visit ni.com/services to learn about NI service offerings such as calibration options, repair, and replacement.

Visit ni.com/register to register your NI product. Product registration facilitates technical support and ensures that you receive important information updates from NI.

NI corporate headquarters is located at 11500 North Mopac Expressway, Austin, Texas, 78759-3504, USA.

Information is subject to change without notice. Refer to the *NI Trademarks and Logo Guidelines* at ni.com/trademarks for more information on NI trademarks. Other product and company names mentioned herein are trademarks or trade names of their respective companies. For patents covering NI products/technology, refer to the appropriate location: **Help»Patents** in your software, the `patents.txt` file on your media, or the *National Instruments Patents Notice* at ni.com/patents. You can find information about end-user license agreements (EULAs) and third-party legal notices in the `readme` file for your NI product. Refer to the *Export Compliance Information* at ni.com/legal/export-compliance for the NI global trade compliance policy and how to obtain relevant HTS codes, ECCNs, and other import/export data. NI MAKES NO EXPRESS OR IMPLIED WARRANTIES AS TO THE ACCURACY OF THE INFORMATION CONTAINED HEREIN AND SHALL NOT BE LIABLE FOR ANY ERRORS. U.S. Government Customers: The data contained in this manual was developed at private expense and is subject to the applicable limited rights and restricted data rights as set forth in FAR 52.227-14, DFAR 252.227-7014, and DFAR 252.227-7015.

© 2009–2023 National Instruments Corporation. All rights reserved.