

LAN Interface User Manual

RMX-410x POWER SUPPLIES

Contents

1 GENERAL INFORMATION

1.1 Introduction.....	4
1.2 Feature Summary.....	4

2 SPECIFICATIONS

2.1 Power Supply Specifications.....	5
2.2 LAN Specifications.....	5
2.3 LAN Command Speed.....	7

3 SELECT THE CONTROL METHOD

3.1 Control Method Options.....	8
3.1.1 Select Local (Front Panel) Mode.....	8
3.1.2 Select Serial (RS-232 & RS-485) Remote Mode.....	8
3.1.3 Select LAN Remote Mode.....	8
3.1.4 Link LED.....	9
3.1.5 Activity LED.....	9
3.1.6 LAN Status LED.....	9

4 CONNECT TO NETWORK

4.1 LAN Cable.....	10
4.2 Types of Networks.....	10
4.3 Power-up the LAN Power Supply.....	11
4.4 IP Addresses.....	11
4.5 Hostname.....	12

5 LAN SETUP

5.1 View the IP and MAC Addresses.....	13
5.2 Change the IP Address.....	13
5.3 LAN Reset.....	13

6 WEB PAGES

6.1 Benefit of Web Pages.....	15
6.2 Opening the HOME Page.....	15
6.3 The HOME Page.....	16
6.4 Login Rules.....	16
6.5 DC Power Page.....	16
6.5.1 DC Power → Output Page.....	16
6.5.2 DC Power → Protection Page.....	17
6.5.3 DC Power → System Page.....	17
6.5.4 DC Power → Utility Page.....	17
6.6 LAN Page.....	17
6.6.1 LAN → Configure Page.....	17
6.6.2 LAN → Configure → Modify Page.....	18
6.6.3 LAN → Advanced Page.....	19
6.6.4 LAN → Advanced → Modify Page.....	19
6.6.5 LAN → Users Page.....	19
6.7 HELP Page.....	19

7 PROGRAMMING USING VISA DRIVERS

7.1 VISA Description.....	20
7.2 VXI-11 Compatibility.....	20
7.3 Opening the VISA Connection.....	20
7.4 Communicating Using VISA.....	20

8 PROGRAMMING USING IVI DRIVERS

8.1 IVI Description	21
8.2 IVI Support.....	21

9 PROGRAMMING USING SOCKETS

9.1 Socket Description	22
9.2 Communicating Using Sockets	22
9.3 Controller Access: Single and Multiple Clients	22
9.4 Input Buffer Requirements	22
9.5 Message Terminators.....	23
9.6 Using TCP Sockets	23
9.7 Using UDP Sockets	23

10 CONNECTING OVER WAN

10.1 View Web Pages Over WAN.....	24
10.2 Use Sockets Over WAN.....	24

11 COMMAND SET

11.1 Lan Specific Commands.....	25
11.1.1 Read the Hostname.....	25
11.1.2 Read the IP Address.....	25
11.1.3 Read the MAC Address	25
11.1.4 Reset the LAN Settings.....	25
11.1.5 Blinking the Identity LED.....	25

12 RS-485 MULTI-DROP COMMANDS

12.1 Introduction	26
12.2 Configure the LAN Supply	26
12.2.1 To Set Up the Master Power Supply:.....	26
12.2.2 To Set the RS-485 Address:	26
12.3 Connect and Configure the RS-485 Supplies	27
12.3.1 To Set Up an RS-485 Chain	27
12.4 Multi-drop Programming Using SCPI Commands	27
12.4.1 Selecting One Power Supply in a Multi-drop Chain.....	27
12.4.2 Global Commands in a Multi-drop Chain.....	27
12.4.3 Selecting a Supply.....	27
12.4.4 Global Set the Voltage Limit.....	28
12.4.5 Global Set the Current Limit.....	28
12.4.6 Global Set the Output ON or OFF	28
12.4.7 Global Reset Power Supplies	28
12.4.8 Global Save All Settings.....	28
12.4.9 Global Recall All Settings	28

13 TROUBLESHOOTING29

1.1 Introduction

The Local Area Network (LAN) option for the RMX-410x series power supply allows the user to remotely program, measure and check status of the power supply.

A computer web page browser can be used to operate the power supply through a built-in web page server. For applications including factory and test automation, communication is made using several standard network protocols and instrument commands.

Refer to the RMX-410x User Manual for information on installing the power supply, safety requirements, specifications, connecting the power-in and out, operating the front panel, using the serial (RS-232/485) programming and analog programming.

1.2 Feature Summary

- **Communicate over any standard TCP/IP network**
 - A. LAN (Local Area Network)
 - B. WAN (Wide Area Network)
 - C. Communicate worldwide using the Internet
- **Web page viewable with any web page browser, such as Internet Explorer**
 - D. Configure the network connection settings
 - E. Active web page (GUI) that programs and reads the power supply output and status
 - F. Security settings to block multiple controllers and risky protocols
 - G. Optional password protection prevents unauthorized operation
- **LAN Protocols**
 - H. VISA drivers, TCP and UDP sockets are supported
 - I. VXI-11 Discovery and ping server are supported
 - J. A "LAN Status" indicator shows when the network connection is established
 - K. Easily write custom automation programs
 - L. IVI.COM and IVI.C drivers are available for download.
- **Full remote programming functions**
 - M. Uses SCPI command language, an instrumentation standard
 - N. Compatible with VISA drivers and all the test & measurement utilities
 - O. TCP and UDP sockets will support PLCs, Linux and other non-VISA controllers
- **Front Panel features**
 - P. View IP and MAC address on front panel
 - Q. Set the complete IP address on front panel
 - R. LAN Reset on front panel
 - S. User may remotely "Blink" the front panel to locate a power supply in a rack
- **Rear Panel features**
 - T. Ethernet RJ-45 connector (standard 8-pin phone jack for LAN)
 - U. Link and Activity LED on RJ-45 connector
 - V. LAN Status LED shows LAN fault and is a 2nd "Blink Identify" on rear panel
- **RS-485 Multi-drop Chain**
 - W. Allows connecting up to 30 power supplies using simple Link cable
 - X. One LAN IP address shared by all RS-485 power supplies
 - Y. The LAN option is not needed in RS-485 power supplies

Trademark Notices

Microsoft and Windows are trademarks of Microsoft Corporation.

2 SPECIFICATIONS

2.1 Power Supply Specifications

When using the LAN, the power supply ratings and accuracies are the same as for the digital remote programming using RS-232 or RS-485. Refer to the *RMX-410x Power Supply User Manual* for the specifications.

2.2 LAN Specifications

ELECTRICAL

Ethernet	Meets IEEE 802.3u specifications
Auto-MDIX	Accepts patch or cross-over cable connection
Auto-Negotiate	Selects fastest of 10Base-T or 100Base-T networks (10 or 100 Megabits per second)

NETWORK CONFIGURATION

MAC Address	NI assigned: 00:19:f9:xx:xx:xx
IP Address	View or set from front panel
DHCP	Get address from network server. Leasing services
Auto-IP	Create own IP address: 169.254.xxx.xxx
Static IP	Any IP fixed by operator
Hostname	NetBIOS protocols. Operator settable name
Duplicate IP Detection	Reject duplicate setting or disconnect from network
Subnet Mask	Mask set by DHCP or static
Default Gateway	Address set by DHCP or static
DNS Server	Address set by DHCP
LAN Reset	Reset configuration from front panel or SCPI command

LAN PROTOCOLS

TCP	LAN packets follow Transmission Control Protocol
IPv4	Internet Protocol version 4
Instrument Protocols	
VXI-11	Supports Core channel, not Abort or Interrupt channels
VISA	VXI-11 compliant, uses RPC and Portmapper, SCPI commands
TCP Sockets	Send SCPI commands to port 8003
UDP Sockets	Send SCPI commands to port 8005
VXI-11 Discovery	Find connected instruments
SNMP Ping Server	Verify LAN connection to instrument
HTTP	Web page server with Java scripts and applets

COMMANDS

SCPI	SCPI 1999 compliant command, measure and status
IEEE-488.2	Condition and event register tree

WEB PAGES

Multiple users	Multiple web pages can be open at the same time
Identity	Identify power supply model, serial number, revision etc.
LAN Configuration	View and set LAN configuration
Active Control GUI	Program and read output settings
Send Commands	Send SCPI commands, read errors
Help	Link to NI web sites

SUPPLY CONFIGURATIONS

Local Control	Supply may be run from front panel even if LAN is monitoring
LAN Remote Control	Supply may be controlled and monitored through LAN
RS-232/485 Control	LAN must be disabled to use the standard RS-232/485 ports
Analog Control	LAN may monitor supply while analog controller sets output
Series / Parallel Supplies	Rules for standard RMX-410x supplies apply to LAN supplies
Advanced Parallel	Rules for standard RMX-410x supplies apply to LAN supplies

INDICATORS

IP and MAC Address	View addresses on front panel
Multi-drop Address	View RS-485 address on front panel
Link LED	Indicates that the Ethernet cable is connected at both ends
Activity LED	Indicates when LAN packets are detected
LAN Status LED	Red/green, indicates power supply has valid IP connection
Blink Identify	Find the supply by remotely blinking front and rear LEDs
Local/Remote LED	Indicates if LAN has control of supply output

SWITCHES, ENCODERS

LAN Reset	Reset LAN settings from front panel
IP Address	Change entire IP address from front panel
Multi-drop Address	Change RS-485 address from front panel
LAN/ RS Select	Disable LAN to enable RS-232/485 or Multi-drop slave

SECURITY

Web Page Password	Can set password to prevent unauthorized or accidental changes to LAN settings or power supply output settings
Single Client Only	Set to prevent multiple programs from taking control
Block UDP Sockets	Single client will block attacks through UDP sockets
Disable VXI-11 Discovery	Stop intruders from finding the power supply
Disable Ping Server	Stop intruders from finding the power supply

2.3 LAN Command Speed

The following communication speeds are typical values only. In addition to the variability in the RMX-410x LAN interface, there are timing variations within the controller and the network routing.

The following speed specifications are subject to change without notice.

VISA Drivers, Sockets

Typical Command or query speeds:

All commands and queries have a response time in the range of 45~50ms.

3.1 Control Method Options

The power supply with the LAN option installed, may be operated through four interfaces. This section describes how to enable each option.

	MODE	MODE DESCRIPTION	
1	LAN	Control using an Ethernet connection	LAN will disable the J4-IN serial port
2	Local	Control using the front panel encoders and buttons	LAN can be used to measure and read
3	Serial	Control using RS-232 and RS-485 through J4-IN and J4-OUT connectors	Serial will disable the LAN port
4	Analog	Control using analog signals through J1 and J3 connectors	LAN, local or serial may still be used to measure and set protections

3.1.1 Select Local (Front Panel) Mode

The power supply may be operated in local or analog control mode even when a computer is using the LAN connection.

When the power supply is in remote mode, the front panel "REM" LED is ON. The power supply may be returned to local mode by pressing and releasing the "REM" button.

If the "REM" button will not go into local mode, then:

- **The LAN is being used to change settings, the power supply will automatically go to remote with every command. Stop the LAN program and then press the "REM" button.**
- **The LAN computer may have sent a Local Lockout command. Use the LAN to send "SYSem:REMOte[:STATe]" (refer to RMX-410x supply User Manual) or turn the power supply AC off and on again, and then press the "REM" button.**

3.1.2 Select Serial (RS-232 & RS-485) Remote Mode

The serial (RS-232 & RS-485) remote control may be selected even if the LAN option is installed. To select the RS-232 & RS-485 mode:

1. Press "REM" button on the front panel.
2. Voltage Display will show 'INtF'. Press the Voltage encoder.
3. Rotate the Current encoder to select "232 or 485" and then press the Current encoder.

3.1.3 Select LAN Remote Mode

Selecting the LAN mode will allow programming over the Ethernet cable. Any settings and measurements may be done from a remote computer using the power supply's built-in web pages or using SCPI programming.

To select the LAN mode:

1. Press "REM" button on the front panel.
2. Voltage Display will show 'INtF'. Press the Voltage encoder.
3. Rotate Current encoder to select "LAN" and then press the current encoder.

LAN Option Rear Panel View

The power supply rear panel, with the LAN option installed, is shown below.

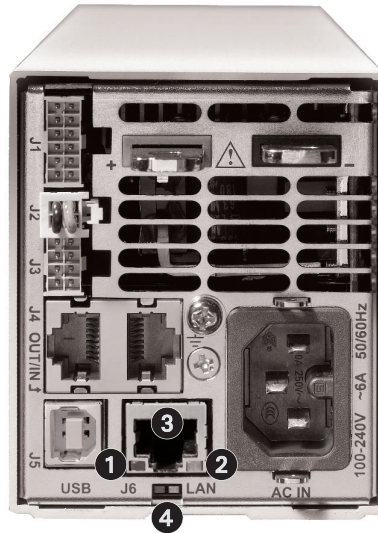


Fig.3-1: Rear Panel LAN Features

1. Link LED
2. Activity LED
3. RJ-45 Socket
4. LAN Status LEDs

3.1.4 Link LED

LED embedded in the RJ-45 socket glows green when the connection is made to an active network.

3.1.5 Activity LED

Amber LED blinks when any message packets are detected.

3.1.6 LAN Status LED

There are two LED's at the bottom of the RJ-45 connector:

- **Normal Operation: Steady green**
The power supply has an active LAN connection
- **Device Identify: Blinking green**
The identify function is turned on from a remote computer using the web page or a SCPI command. The front panel blinks along with the rear. It is used to identify one power supply in a rack of instruments. The blinking is turned off by the web page, by sending another SCPI command, or by changing any front panel control. In a multi-drop chain, only the master LAN supply blinks.
- **LAN Fault: Steady red**
Shows the LAN mode is not enabled, the LAN connection was never made, or that the LAN connection was made and then broken.

4 CONNECT TO NETWORK

4.1 LAN Cable

The LAN cable must be supplied by the customer. It may be a standard straight “patch” CAT-5 (or better) network cable or it may be a “crossover” cable where the pins are reversed on one end. The cable type is auto-detected by the power supply.

The serial link cable (0.5 m long) provided with the RMX-410x power supply *cannot be used* for a LAN connection.

4.2 Types of Networks

There are basically two types of networks that are discussed here:

1. NETWORK WITH A SERVER

This is the typical local area network with a server computer and network administrator to keep it operating. The server will download the IP address and other settings to the power supply.

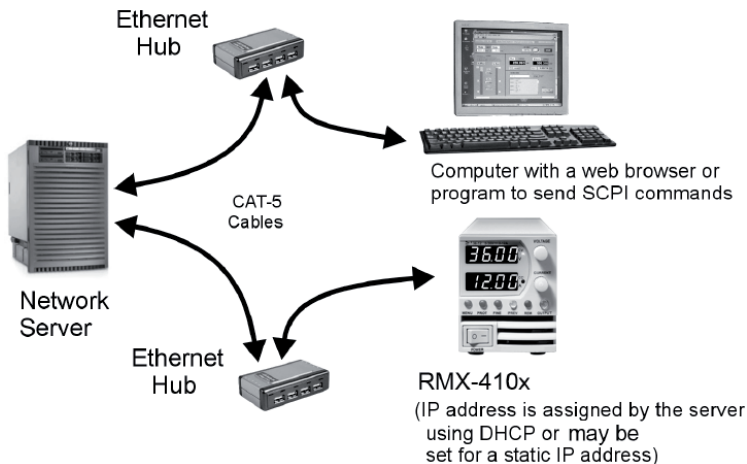


Fig.4-1: Server Network Connection Diagram

2. PEER-TO-PEER NETWORK

This is typically the configuration when you connect the RMX-410x power supply directly to a computer that is not a network server. The power supply will configure its own IP address and other settings.

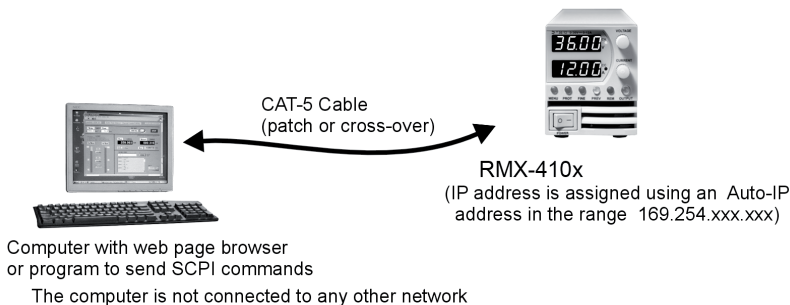


Fig.4-2: Peer-to-Peer Connection Diagram

4.3 Power-up the LAN Power Supply

The RMX-410x power supply LAN option automatically detects if it is connected or disconnected from a network. It will also automatically look for a network server and it will retrieve or create an IP address. It will also broadcast its IP address and hostname to all other devices on the network.

1. **Turn ON the power supply AC power.**

“Lan” appears for about 2 seconds on the front panel display. Then “OFF” or the last output settings will appear on the front panel display.

2. The LAN cable may be connected before or after the power supply is switched on.

3. **For a server network, wait about 10 seconds.**

The rear panel LAN Status LED turns green.

4. **For a peer-to-peer network, wait about 30 seconds.**

The rear panel LAN Status LED turns green.

When the LAN Status LED turns green, the power supply receives the IP address. It can be viewed on the front panel. See section 5.1.

If the LAN Status LED does *not* turn green, refer to section 13 for troubleshooting steps.

4.4 IP Addresses

The simplest and most reliable way to open a network connection is via power supply’s IP address, which is represented by group of four numbers separated by periods (for example: 10 . 1 . 15 . 123). This IP address may be viewed from the front panel (see section 5.1).

Three modes in which the power supply can access an IP address, is shown below:

IP Address	DHCP	Auto-IP	Static IP
Mode Select	DHCP is default after “LAN Reset”	Default after “LAN Reset” if <i>no</i> DHCP server is used	May be set in the “LAN Modify” web page (see section 6.6.2) or by setting the IP1-4 address on the front panel (see section 5.2)
Assignment	Assigned by the network server	Assigned by the power supply	Assigned in the “LAN Modify” web page (see section 6.6.2) or by setting the IP1-4 address on the front panel (see section 5.2)
Range	Any address	169 . 254 . xxx . xxx	Any address
Lifetime	Address may change as the DHCP server assigns addresses dynamically to many instruments	Fixed for the power supply, except if an address collision is detected	Always fixed for the power supply
Duplicate Addresses	The DHCP server should prevent duplicate IP addresses	Finds another available auto-IP address	The LAN Status LED and Front Panel blink.

4.5 Hostname

The hostname is a text address instead of a numeric address. This address mode is less common than the IP address because the hostname cannot be viewed from the front panel, and because a naming service (such as NetBIOS) must be running in the LAN computer. A custom hostname can be created through the web pages (see section 6.6.2). For example, you can change the hostname to "NATI". The control program can then send a command to "NATI".

After a "LAN Reset" is done (see section 5.3), the power supply will create a default hostname based on the model and serial number of the power supply.

The default hostname is in the format:

< Product > < Voltage rating > - < Current rating > - < last 3 digits of serial number >

If the rating has decimal point, substitute "P" for the decimal point.

NOTE:

Two power supplies should not have the same Host Name
if Host Name is used for Communication.

5 LAN SETUP

5.1 View the IP and MAC Addresses

When the power supply is operating with the LAN enabled, the IP and MAC addresses may be viewed on the front panel by following these steps:

To view the IP address:

1. Press the Remote switch. Move the Voltage Encoder until "IP" is seen on the Voltage Display.
2. Press the Voltage encoder and move the encoder to view the IP address. The voltage display will show IP1-IP4 as you move the encoder. The current display will show the required IP.

To view the MAC address:

1. Press the Remote switch. Move the Voltage Encoder until "mAC" is seen on the Voltage Display.
2. Press the Voltage encoder and move the encoder to view the MAC address. The voltage display will show mAC1- mAC6 as you move the encoder. The current display will show the required MAC.

5.2 Change the IP Address

The LAN allows you change all four numbers (octets) of the IP address from the front panel. The IP address has four numbers (ex: "10.97.4.4"). Each number may be set to any value from 1-254.

To change the IP address:

1. Press the remote button. Move the Voltage Encoder until IP is seen on the Voltage Display
2. Press the Voltage encoder and then move the encoder to view the IP address. The voltage display will show IP1-IP4 as you move the encoder. The Current display shows the required IP address. Move the Current encoder to change the IP address and then press the encoder.
3. 'LAN' will be shown on Voltage Display and 'HOLD' will be shown on Current Display for about 1 sec.
4. If another device is using the same address you want to set, the front panel LED will blink, and the address will revert to it's previous status. Press any button to stop the blinking.

When you change the IP address from the front panel or (LAN>Cofigure>Modify Page), **the RMX-410x LAN will switch to STATIC addressing.** (DHCP and Auto-IP addressing will be disabled)

5.3 LAN Reset

To reset the power supply to the factory default LAN settings:

1. Press the remote button. Move the Voltage Encoder until "rST" is seen on the Voltage Display.
2. Press the Voltage encoder. rST will be seen on the current display.
3. Press the Current encoder to reset the system.
4. 'LAN' will be shown on Voltage Display and 'HOLD' will be shown on Current Display for about 1 sec.
5. It may be required to toggle the AC ON/OFF switch.

The default LAN settings are:

DHCP is enabled

If DHCP fails to get a lease, the auto-IP settings will be obtained:

IP address:	169.254.xxx.xxx
Subnet mask:	255.255.0.0
Default gateway	0.0.0.0
DNS Server	0.0.0.0

Description: "RMX Rackmount Power Supply"

Controller Access: One Client Only

Ping Server: Enabled

Keep-Alive: 1800 Seconds (30 minutes)

Auto-Negotiate: Automatically select network speed

VXI-11 Discovery: Enabled

Password: None

6 WEB INTERFACE

6.1 Web Interface Overview

The RMX-410x web pages are useful for:

- **Reading the power supply model, identity, revision and LAN setup information**
- **Configuring the LAN connection**
- **Programming and reading the power supply DC output**

6.2 Opening the HOME Page

Once the rear panel LAN Status LED has turned green (see Section 4.3), you may open the RMX-410x web page.

1. Read the IP address from the front panel (refer section 5.1 for details).
2. Open a web page browser program such as Internet Explorer. Enter the power supply IP address as shown below. Click the "GO" button

The power supply Home page will appear. If it does not, refer to section 13 Troubleshooting.

3. Alternately, the hostname may be used for addressing the web page as shown below (if the power supply is set for "DHCP/Auto-IP", and if the NetBIOS naming service is running on the computer). See Section 4.5 for a description of the hostname.

The power supply Home page will appear. If it does not, refer to section 13 Troubleshooting.

6.3 The HOME Page

The following page appears when the web page is first opened or when it is refreshed:

VISA Name Using IP Address

For automation programming, VISA is a type of communication driver. For LAN instruments, the IP address may be used in the VISA resource descriptor. See section 4.4.

VISA Name Using Hostname

For automation programming, an alternate VISA resource descriptor using the power supply hostname. Refer section 4.5

RS-485 Address

This address only applies to a multi-drop chain of power supplies. The RS-485 address of the LAN supply is also called the master supply.

Hostname

A unique name for a device on a network. The default hostname is described in section 4.5 and it is configured in section 6.6.2. If the hostname is not registered with the network name server, then the IP address will be shown here.

Auto-MDIX

The LAN will automatically detect if a patch or cross-over LAN cable is used.

Auto-Negotiate

The LAN will automatically adjust to the fastest speed available.

Logging In

To change power supply output or the LAN settings, a user must first log in.

Click the "Login" button at the bottom-left side of the web page and a window appears.

The only acceptable user name, "admin", is shown. By default, password is empty. Click "Login".

The password may be set or removed on the LAN -> Users web page.

A front panel LAN Reset will clear the password (see section 6.6.5)

6.4 Login Rules

- Any number of users may view the web pages of a power supply at the same time. However, the update rate becomes slower as more web pages are opened.
- Only one user at a time may be logged-in to modify the power supply settings.
- If an automation program with VISA is running, then you may view the web pages but you cannot login to change settings.
- If a user is logged in, then a VISA or socket connection cannot be opened by an automation program.
- A user may logout by clicking the "Logout" button, by closing the web browser or by leaving the web browser idle for "LAN Keep-alive" seconds (see section 6.6.3).
- If a web page is "Logged-in" another copy of the web page can not be opened.
- If an automation program with socket is running, you can not open the Web Page.

6.5 DC Power Page

When the "DC Power" tab is selected, the "Output" soft front panel (GUI) loads first.

Refresh List

When this button is clicked, the web page will scan to find connected Multi-drop power supplies and put the discovered addresses into the list box. This button only applies to a multi-drop chain as described in section 12. It is required to click the button after clicking the DC power button, connecting or disconnecting a power supply, or changing the 485 address. Please wait 3 ~ 4 seconds before clicking the refresh button.

Select RS-485 Multi-drop Address

This address is described in section 12. This address only applies to a multi-drop chain of RS-485 supplies. If there is no multi-drop, only the address from the single LAN supply is available.

Blink Identify

When this button is clicked ON, the selected power supply front panel blinks and the rear panel LAN LED blinks. This function allows you to quickly identify which power supply is being communicated to in a rack of instruments. In a multi-drop chain, only the master LAN power supply will blink. The blink identify is turned OFF by clicking this button again or by operating any knob or button on the power supply front panel or by SCPI command.

Measurements

This section displays the selected power supply's actual output voltage and current and the operating mode (constant-voltage or constant-current or off). Also, faults are shown in the voltage display.

Settings

This section displays the selected power supply's voltage and current limit (as if they were set on the front panel encoders) and output ON/OFF settings. To make settings, click 'Check to Modify'. After settings are made, click Apply. To view the actual settings deselect 'Check to Modify'.

6.5.2 DC Power → Protection Page

Under the "DC Power" tab, a "Protection" button is available at the top of the panel. When opened, the window allows you to view and set four protections.

- A. Over-Voltage Protection Limit
- B. Under-Voltage Limit
- C. Foldback Protection
- D. Auto-Start or Safe-Start
- E. In a multi-drop chain, these settings affect only the supply selected in the RS-485 address list box.

6.5.3 DC Power → System Page

Under the "DC Power" tab, a "System" button is available at the top of the panel. When clicked, a window opens that allows you to operate four functions:

- A. Reset One Instrument (this resets only the supply selected in the RS-485 address list box)
- B. Reset All Instruments (this resets the supplies connected to the multi-drop bus)
- C. Save (this saves the settings for only the supply selected in the RS-485 list box) (settings are saved to default location 1)
- D. Recall (this recalls the settings for only the supply selected in the RS-485 list box) (settings are recalled from default location 1)

6.5.4 DC Power → Utility Page

This page is used to send any SCPI command and see the response. It is a learning tool for SCPI operation and it allows commands which are otherwise not on the web pages.

Type any SCPI message into the top text box. Then click the "Send and Read" button.

For commands, there is no response. For queries, the response appears in the middle text box.

You may read any System Error message by clicking the "Read Errors" button. The error message (or "No error") appears in the bottom text box. To read system error, first send `SYST:ERR:ENAB`.

6.6 LAN Page

When the "LAN" tab is clicked, the following web page opens. This page and its sub-pages allow you to view and configure the power supply's LAN settings.

6.6.1 LAN → Configure Page

When the "LAN" tab is selected, the "Configure" panel opens:

The following settings are shown on the "LAN → Configure" web page:

IP Address Source

Displays the way the IP address was selected. Options are DHCP/Auto-IP and Static IP.

IP Address

Displays the IP address assigned to the power supply through either DHCP, Auto-IP or Static IP sources.

Subnet Mask

Displays the subnet mask assigned to the power supply through either DHCP, Auto-IP or Static IP.

Default Gateway

Address of the network router to allow the power supply to communicate outside of the local subnet.

DNS Server

Address of the server running the Domain Naming Service. This is used for hostname addressing.

Hostname

The power supply hostname may be used instead of the IP address to create a communication link. The default hostname is derived from the model and serial number (see the hostname in section 4.5 and 6.6.2) or it may be changed in the “LAN → Configure → Modify” web page

Description

By default, this is “RMX Rackmount Power Supply”, but it may be changed in the “LAN → Configure → Modify” web page

Controller Access

The “One Client Only” setting is the default setting for the highest networking security. This setting allows only one TCP socket to be open at a time and it disables the connectionless UDP sockets. See section 6.6.2.

Modify

Click this button to open the window shown below

6.6.2 LAN → Configure → Modify Page

If you are logged in and clicked the “Modify” button on the “LAN → Configure” window, the below pop-up window appears. On this window, you may enter new values for the LAN settings. The available fields depend on the selection of “DHCP Assigned / AUTO IP” or “Static IP”. Changes to these setting will not take place until the “Apply” button is clicked.

NOTE:

After changing the LAN settings, the web browser will ask to be closed. Re-open using the new address. If the change causes a duplicate IP, the LAN Status LED and the front panel LED will blink and address will revert to previous state. Press any front panel button to stop the blinking.

NOTE:

It may be required to AC reset the power supply after changing the LAN settings.

TCP/IP Mode

This selects how the power supply receives network settings. Select either:

- DHCP Assigned / AUTO IP: If this mode is selected, the network server uses DHCP to assign the IP address, subnet mask, default gateway and DNS server. Since the server assigns these, they are disabled (gray) on the web page. If the server cannot make the assignment, the power supply will revert to the Auto IP method described in section 4.4. In this mode, the user may only change the hostname and description.
- Static IP: If this mode is selected, the IP address, subnet mask and default gateway must be entered in the window fields. The settings must be compatible with the requirements of the network server. These settings do not change as the power supply is moved to different LAN

connections. In this mode, there is no hostname connectivity so the hostname and DNS server fields are disabled (gray).

Controller Access

Select the security feature for One Controller Only or Multiple Clients. The multiple clients setting is needed to allow more than one controller connection at a time and to enable UDP socket connections.

6.6.3 LAN → Advanced Page

Click the “LAN → Advanced” button to view and set four advanced LAN settings:

LAN Timeout

If you are logged in this is how many seconds the web pages may be inactive (idle) before the power supply automatically logs you out.
The default is 1800 seconds = 30 minutes.

Ping Server

‘Ping’ is a network utility that allows the computer to verify communication with the LAN power supply. This service may be disabled in the “Modify” panel.

Auto-Negotiate

This shows the network speed that the LAN card is allowed to operate at.

VXI Discovery

This is a protocol which allows the network server to detect what instruments are connected to the LAN. It may be disabled in the “Modify” panel for security reasons.

Auto-MDIX

This service is always enabled in the power supply. The power supply LAN connection will always detect a patch or cross-over cable.

Modify

After logging in, click this button to open the **Modify** page.

6.6.4 LAN → Advanced → Modify Page

In the window below, you may enter new values for the LAN settings. Changes to these setting will take place when the “Apply” button is clicked.

6.6.5 LAN → Users Page

This page allows you to create password protection for the web pages. There is *no* password protection for automation programming with VISA or sockets.
By default, the “old password” is blank. The new password must be four or more characters long. Special Characters and spaces not allowed.

Reset the password

Once a password is applied, it may be changed by using the same screen, but it can only be removed by performing the “LAN Reset” function from the power supply front panel or SCPI command.

6.7 HELP Page

A Help tab is available. This page is a set of Internet links to NI’s website pages.

7.1 VISA Description

In the test and measurement industry, Virtual Instrument Software Architecture (VISA) is a popular framework that includes hardware drivers, configuration utilities and connection managers. A variety of communication busses are supported. VISA drivers are available from several instrument vendors. Any programming language that supports Windows COM or DLL libraries can call the VISA functions.

7.2 VXI-11 Compatibility

VXI-11 is a protocol that allows communications between a computer port and an instrument. VISA is built upon the VXI-11 specification. The RMX-410x power supply is compatible with the VXI-11 protocols:

- **VXI-11 Device_link** Open link to instrument
- **VXI-11 Device_write** Write text to the instrument
- **VXI-11 Device_read** Read text from an instrument
- **VXI-11 Destroy_link** Close link to instrument

7.3 Opening the VISA Connection

Test and automation programs may easily be written if they use the VISA libraries. The supported VISA functions include Open, Read, Write and Close

A VISA resource descriptor is used to describe a particular supply. For a RMX-410x power supply, the descriptors are found on the supply's Home web page. The VISA resource may use the supply's IP address or hostname.

Example VISA resource descriptors for the RMX-410x power supply are:

Format: TCPIP[board]::IP address/Host Name[:LAN device name][:INSTR]

[board] is the LAN card number, zero is optional

[:LAN device name] is by default "inst0"

[:INSTR] is optional

Examples: TCPIP::10.225.26.60::inst0::INSTR

TCPIP1::RMX60-14-001::INSTR

7.4 Communicating Using VISA

The VISA Write function will send SCPI commands to the power supply, the VISA read will read the response returned from a SCPI query.

8 PROGRAMMING USING IVI DRIVERS

8.1 IVI Description

In the test and measurement industry, the “Interchangeable Virtual Instrument” is a set of specifications which standardize instrument driver technology. IVI is built upon the VISA hardware drivers. IVI has interfaces so almost any programming language can use standard calls to .NET, COM and DLL libraries.

The IVI instrument can be configured with a management utility such as Measurement and Automation Explorer (MAX). IVI settings may also be made programmatically through optional parameters.

These allow several benefits to system designers:

- IVI standardizes common functions to reduce the time needed to learn a new IVI instrument. You do not need to learn the RMX-410x power supply’s SCPI commands.
- Instrument simulation allows developers to run code without an instrument.
- Automatically perform a status check to verify each power supply setting is acceptable.
- IVI drivers feature a variety of wrappers to allow simple interfacing to a variety of Windows programming environments.
- IVI drivers provide for interchangeability. Interchangeability allows easy swapping of instruments without changing the control program.

8.2 IVI Support

For more information about IVI, visit the IVI Foundation website at www.ivifoundation.org to view getting started content for a variety of program languages.

Refer to ni.com/drivers to download drivers for the RMX-410x.

9.1 Socket Description

The VISA drivers for the RMX-410x power supply are popular in the Test and Measurement world. However, some customers cannot use VISA because of installation or licensing issues or because the controller (i.e.: industrial PLC) does not support VISA.

If you cannot use VISA drivers, then the RMX-410x offers socket connections. This is low-level LAN protocol that is universally available in all operating systems and programming environments.

9.2 Communicating Using Sockets

Communicating through sockets involves opening a socket connection and sending SCPI text commands and reading the responses. The functions a programming language used to manage the socket is called the TCP stack.

There are two types of socket protocols which may be used, TCP and UDP. Each has its own port number, as described in section 9.6 and 9.7.

9.3 Controller Access: Single and Multiple Clients

The web page has a security setting to limit or enable the types of connections and numbers of control computers (called "clients") that may be connected at one time.

NOTE:

The performance of the RMX-410x LAN interface is impacted as more web pages, ports and sockets are opened at the same time. It is recommended no more than three pages are open at the same time.

The rules for the One Client/Multiple Clients are:

	One Client Only	Multiple Clients
Web Page Not logged-in	Multiple web pages may be open at any time. You may view but not change the power supply operation.	
Web Page Logged-in as "admin"	If you are logged in, any other connections are blocked.	
VISA Connection	Only one VISA port may be opened at any time.	
TCP Socket	One TCP socket may be opened if no VISA or 'admin' web page is open. UDP sockets are blocked.	Multiple connections of TCP and one connection of UDP are allowed to be open at the same time if no VISA or Admin web page is open.
UDP Socket		

9.4 Input Buffer Requirements

With a controller using TCP or UDP sockets, the power supply can receive commands much faster than it can process the commands. To make sure the RMX-410x LAN is not overloaded, it is required that the controller sometimes sends a query and then waits for the response. The response is the acknowledgement from RMX-410x that it has finished processing all commands.

It is recommended that your controller routinely sends "SYST:ERR?". This query takes 50 mSec, and verifies that all commands have been accepted correctly.

When using sockets, no more then 20 SCPI commands may be sent before a query is sent

9.5 Message Terminators

When you are using a program that sends separate SCPI commands out through a TCP socket, the socket drivers may combine all the messages into one long packet. Therefore, it is necessary to add a terminator character to the end of each SCPI command.



All SCPI commands must have a terminator character.

	Terminator Character (and ASCII hex)
Commands from the Controller	One or more terminators required: Line-feed, Carriage-return 0x0A 0x0D
Responses from the RMX-410xLAN	All responses have Line-Feed and Carriage-return at end 0x0D and 0x0A

9.6 Using TCP Sockets

This is the most popular socket type. It features a managed connection, message acknowledgements, transmission error detection and correction.

Open **TCP socket port 8003** to send SCPI commands.

Responses to queries are sent back automatically with a line-feed terminator and carriage return appended. If the web page LAN controller access is set to "Multiple Clients", then up to three controllers may open TCP sockets to one power supply at the same time.

9.7 Using UDP Sockets

This is a simpler socket type with reduced network traffic. It is a 'connectionless' protocol because messages are sent and there is no acknowledgement that they have been received.

Open **UDP socket port 8005** to send SCPI commands.

Responses to queries are sent back automatically with a line-feed terminator and carriage return appended. Before opening a UDP socket, it is required to open the web page and set the controller access to "Multiple Clients" (see section 6.6.2).

Only one controller may open UDP socket to one power supply at a time.

10 CONNECTING OVER WAN

To connect over the Wide Area Network (i.e.: the global internet), the following settings must be made in the network server.

10.1 View Web Pages Over WAN

The RMX-410x LAN interface has a server for running the web pages. The web server is listening in Port 80. The network administrator must obtain and assign a Global IP for the power supply. On the network server, the network administrator also must ensure port 80 is exposed to WAN connectivity.

10.2 Use Sockets Over WAN

The network administrator must obtain and assign a Global IP for the power supply. On the network server, the network administrator also must ensure port 8003 (for TCP sockets) or port 8005 (for UDP sockets) are exposed to WAN connectivity.

11 COMMAND SET

For the complete command set, please refer to RMX-410x User Manual.

11.1 Lan Specific Commands

11.1.1 Read the Hostname

The hostname may be read with this query

Syntax: `SYSTem:COMMunicate:LAN:HOST?`
Example: `SYST:COMM:LAN:HOST?`
Response: The hostname string, up to 16 characters long
Example: `RMX60-14-123` is a typical default hostname

11.1.2 Read the IP Address

The IP address may be read with this query

Syntax: `SYSTem:COMMunicate:LAN:IP?`
Example: `SYST:COMM:LAN:IP?`
Response: The IP address string, up to 15 characters long
Example: `169.254.9.35` is a typical default IP address

11.1.3 Read the MAC Address

The MAC address may be read with this query

Syntax: `SYSTem:COMMunicate:LAN:MAC?`
Example: `SYST:COMM:LAN:MAC?`
Response: The MAC address string, 17 characters long
Example: `00:19:f9:00:24:3b` is a typical default Mac address

11.1.4 Reset the LAN Settings

WARNING:

Sending this command could disable the LAN connection to the power supply. It may be required to AC reset the power supply.

This command will reset the LAN settings to the factory default state. The effect of this command includes changing the IP address and hostname, so LAN communication could be lost. Therefore, only use this command as a diagnostic tool.

Syntax: `SYSTem:COMMunicate:LAN:RESet`
Example: `SYST:COMM:LAN:RES`

11.1.5 Blinking the Identity LED

Syntax: `SYSTem:COMMunicate:LAN:IDLED 1 / ON, 0 / OFF`
Example: `SYSTem:COMMunicate:LAN:IDLED 1`

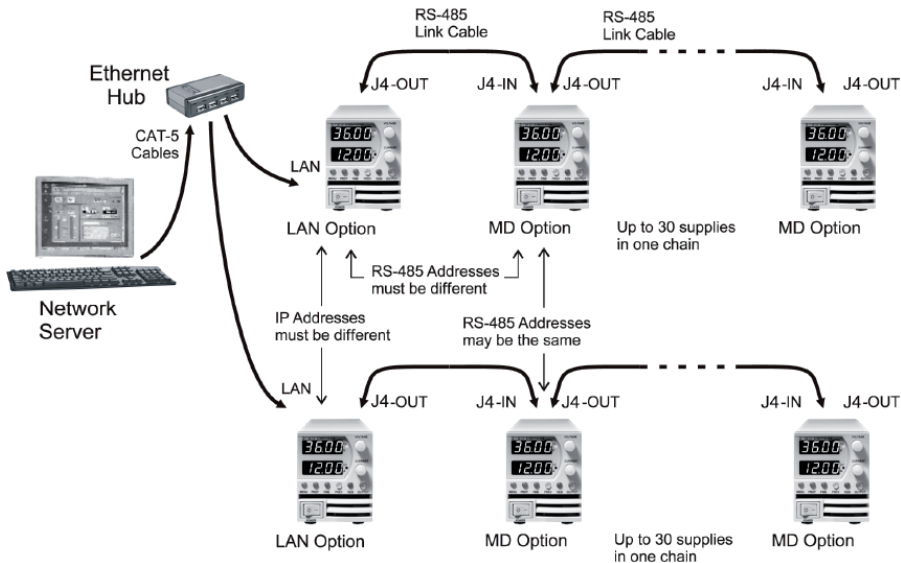
12.1 Introduction

The RMX-410x power supply LAN option allows you to control up to 30 other supplies. All are controlled through one IP address from the master supply. This is called the Multi-drop configuration. The Ethernet cable goes to the LAN supply. All the other supplies are connected using a RS-485 Serial Link Cable between J4-OUT to J4-IN sockets. The multi-drop feature adds the ability to operate all the linked power supplies with one global command.

CAUTION:



When using multiple LAN controllers with Multi-drop, only one power supply may be "selected" at a time. One controller may change the selected address however the others may not be aware that a new address is active.



12.2 Configure the LAN Supply

The power supply at the head of the multi-drop chain is called the Master supply.

12.2.1 To Set Up the Master Power Supply:

- A. Connect the LAN to a computer as described in section 4
- B. Connect a RS-485 Link cable from the rear J4-OUT jack to the next supply's J4-IN
- C. Switch AC power on the supply
- D. Enable the LAN option as described in Section 3.1.3
- E. Set the supply's RS-485 address as described below

12.2.2 To Set the RS-485 Address:

In addition to the supply's IP address, the multi-drop requires setting an RS-485 address. It is viewed on the front panel of the power supply by setting it to local mode

- 1. Press REM button on the front panel.
- 2. "Adr "will be seen on the current display. Press the current encoder.
- 3. Move the current encoder to select the address and then press current encoder again.

The default RS-485 address is 6. It may be set to any value from 1 to 31. The RS-485 address is not related to the IP address. However, it is required that no other power supply on the multi-drop chain will have the same RS-485 address.

12.3 Connect and Configure the RS-485 Supplies

The RS-485 linked power supplies are called the Slave supplies. They may be individually commanded and queried using the LAN port on the Master supply.

12.3.1 To Set Up an RS-485 Chain

- A. Connect the RS-485 Link Cables from the master's J4-OUT to the slave's J4-IN
- B. Power-up the supplies
- C. Set the supply into RS-485 mode as described in section 3.1.2
- D. Set the supply's RS-485 address as described in section 12.2.2.
- E. Press "REM" button. Move Voltage encoder until "baud" appears on the display. Press the Voltage encoder. Then rotate Current encoder to 57.6 and press Current encoder to select.

12.4 Multi-drop Programming Using SCPI Commands

12.4.1 Selecting One Power Supply in a Multi-drop Chain

All the SCPI commands may be sent to any one of the supplies in an RS-485 chain by first sending the `INST:nSEL` address command. All commands and queries will then apply only to the selected supply, until a new `INST:nSEL` is sent.

At power-up, the LAN master supply is automatically the one selected.

After sending `INST:nSEL`, it is recommended that you verify the command by sending `INST:nSEL?` or `SYST:ERR?`, otherwise further commands may go to the wrong power supply.

12.4.2 Global Commands in a Multi-drop Chain

The `GLOBAL` commands affect all of the chained supplies at the same time, including the master supply.

- There is no `SYSTEM:ERROR?` response message if one or more supplies cannot execute a global command.
- It is required that the user's application adds a 20 millisecond delay after initiating a global command, and before sending any other messages. This is because there is no feedback from the multi-drop chain to indicate the command is until being processed.
- There is no query version of these commands. Global settings must be queried by selecting one power supply and reading it's setting.
- The error and status registers operate differently.
- The global commands are not SCPI compliant.

The global commands do not affect which power supply has been selected using the `INST:nSEL` command. For example, if the following commands are sent:

```
INST:nSEL 4
:VOLT 50
GLOB:VOLT 70
(wait 20 mSec)
:VOLT 90
```

Then all the supplies on the multi-drop chain will be set to 70 volts except the supply at RS-485 address 4 will be set to 90 volts (after the global command, further `INST:nSEL` is not required).

12.4.3 Selecting a Supply

This command will select one power supply in a multi-drop chain. Subsequent commands and queries will operate only on that supply, until a new one is selected. At power-up, the master supply is automatically selected.

Syntax: `INSTrument:nSElect <nn>`

Parameter: `<nn>` is the supply's RS-485 address. It is a number from 1 to 31

Example: INST:nSEL 6

Query: INST:nSEL? will return 06 in the example

GLOBAL COMMANDS

The following global commands affect all power supplies on a multi-drop chain. There is no query version of these commands.

12.4.4 Global Set the Voltage Limit

Syntax: GLOBal:VOLTage[:AMPLitude] <nn.nn>

Parameter: <nn.nn> is volts, the setting applied to all power supplies

Example: GLOB:VOLT 9.45

12.4.5 Global Set the Current Limit

Syntax: GLOBal:CURRent[:AMPLitude] <nn.nn>

Parameter: <nn.nn> is amps, the setting applied to all power supplies

Example: GLOB:CURR 350

12.4.6 Global Set the Output ON or OFF

Syntax: GLOBal:OUTPut:STATe <0|1|OFF|ON>

Example: GLOB:OUTP:STAT ON

12.4.7 Global Reset Power Supplies

Syntax: GLOBal:*RST

Example: GLOB:*RST

12.4.8 Global Save All Settings

Syntax: GLOBal:*SAV x x = 1, 2, 3, 4

Example: GLOB:*SAV 1

12.4.9 Global Recall All Settings

Syntax: GLOBal:*RCL x x = 1, 2, 3, 4

Example: GLOB:*RCL 1

13 TROUBLESHOOTING

Cannot See the IP Address, LAN Status LED Stays Red

If "IP1-IP4" does not show, then LAN is not enable. To fix this:

- A. Verify the LAN is selected (see section 3.1.3).
- B. Switch the power supply AC OFF.
- C. Switch the power supply AC ON again. See the voltage display shows "LAN" for a few seconds during power-up.

IP Address is All Zeroes, LAN Status LED Stays Red

When viewing the IP address on the front panel, and you see the IP address is all zeroes, then the power supply is not connecting to the network.

- A. Verify the LAN cable is connected to an active network. Look at the rear panel Link LED (part of the RJ-45 connector, see section 3.1.3) and verify it is green. If the LED is not lit, then the LAN cable is not connected properly.
- B. Wait longer and try to read the IP address again. In the Auto-IP mode the power supply will wait a full 30 seconds to assign an IP address after power-up.
- C. There could be an address collision on the network where two devices on the network have the same IP address. If the power supply detects this, it will refuse to assign an IP address and it stays all zeroes. This only occurs if the power supply is in Static addressing mode (see section 4.4). To correct this situation, do either of:
 - i. Do a front panel LAN Reset (see section 5.3). The power supply will try to get an address from a network DHCP server or it will create its own address in the 169.254.xxx.xxx subnet. If this subnet is not the one you are using, then use the front panel to set an IP address that is compatible with your network (see section 5.2)
 - ii. Disconnect any LAN device that may have a conflicting address from the network. Switch the power supply off and on. After 10 seconds the power supply will acquire its static address.

Cannot Communicate with the Power Supply

If the LAN Status LED is green and the front panel shows a valid IP address, but you still cannot open a web page, VISA or socket connection then try "pinging" the power supply. The ping utility verifies the computer can send a message and get a response from the power supply over the network. On a Windows XP computer, open a command line window by:

- A. Click the "Start" button, Select "Run..."
- B. A "Run" window opens. Type: `cmd` <Enter>. See the command window open
- C. Type "`ping <IP address>`" (IP from the supply front panel, see section 5.1). Verify the ping packets had successful responses.

If the "ping" does not get responses from the power supply, then there is a mismatch between the power supply and the computer LAN settings. Also, the ping function may be disabled in the power supply (see section 6.6.3). In this case, do a power supply "LAN Reset" (see section 5.3) and try to connect again.

Cannot View Web Pages Over a Peer-to-Peer Network

If there is no gateway to a network, verify the proxy server is disabled in the web browser. With Microsoft Internet Explorer, open the browser and, on the toolbar, navigate:

"Tools" → "Internet Options..." → "Connections" → "LAN Settings..."

and see the windows open:

Verify the "Proxy server" checkbox is *NOT* checked.

Cannot Open Web using Laptop or Dual-LAN Card Computer

If you have a computer with two network cards, the computer may not know which card to use when trying to open the RMX-410x web page. Verify the two cards do not have over-lapping IP address ranges, otherwise it may be necessary to disable or disconnect the network card that is not being used.

If you have a laptop computer with an Ethernet jack and a wireless network, it may be necessary to disable the wireless LAN port.

For running VISA programs (see section 7), two network cards is not a problem because the VISA resource descriptor includes the network [board] identifier.

Web Page Fields Appears as Blocks

The web pages have numeric fields, such as the voltage settings. If icons show instead of numbers, then the Java Runtime Engine (JRE) may need to be installed on your computer. If the JRE is already installed, a slow network connection can also create this situation.

The Java Runtime Engine may be downloaded from:

www.java.com *Java is a trademark of Sun Microsystems*

Also, in the web browser, you may have to enable Java scripts and Java applets. With Microsoft Internet Explorer, do this by opening the browser and, on the toolbar, navigate:

“Tools” → “Internet Options...” → “Advanced” tab

and scroll down to find “Java (Sun)...”:

Verify the “Use JRE...” checkbox IS checked

Web Page “Refresh List” Does Not Find Slave Supplies

When you are using a LAN Multi-drop chain of supplies (see section 12), the web page Refresh List button should detect all the connected RS-485 slave supplies. If it does not:

- A. Verify the LAN master is set for LAN.
- B. Verify all slave supplies are set for RS-485.
- C. Verify all slave supplies are set for unique addresses and they are set for 57.6k Baud.